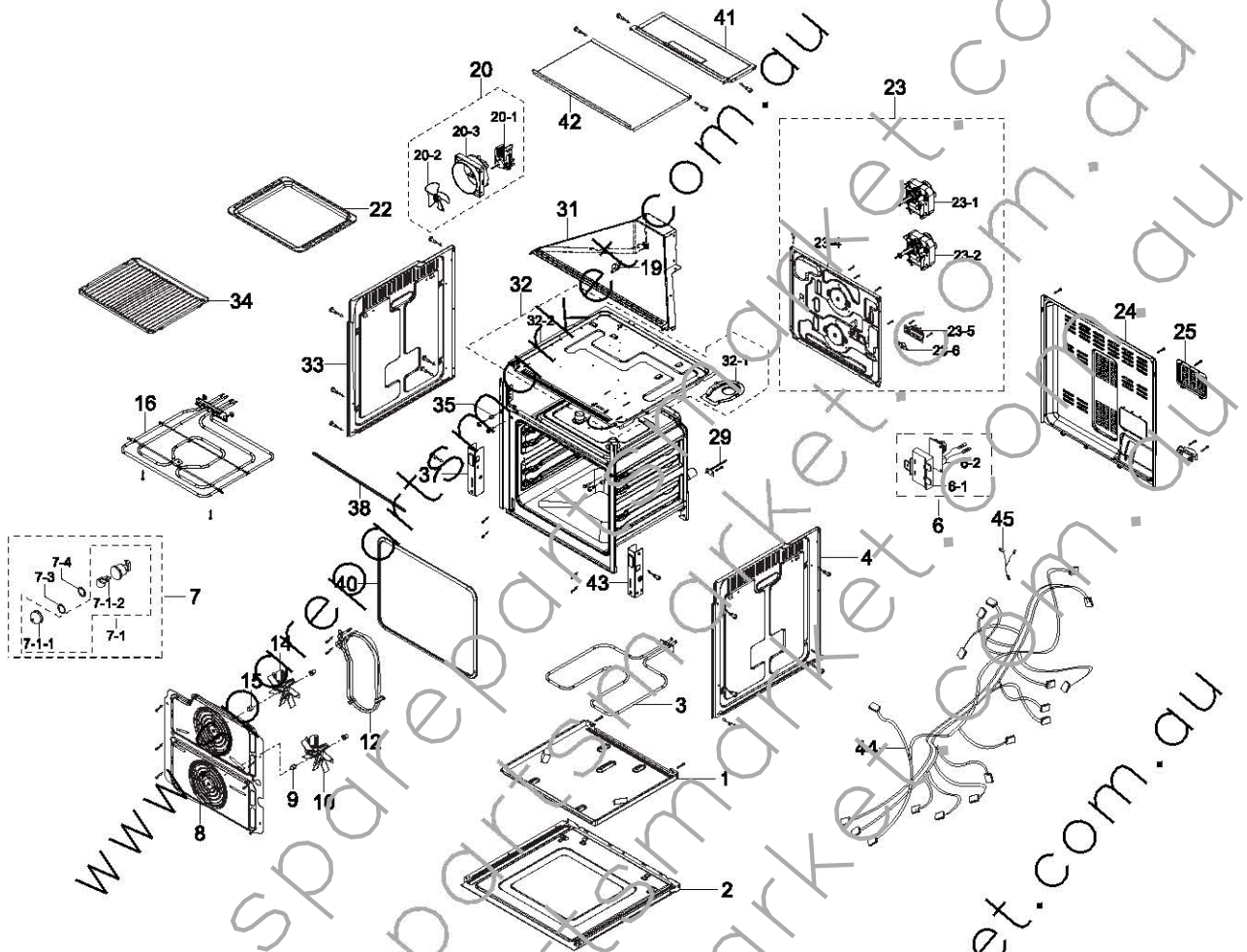


1. Main

Exploded View



Parts List

No.	Parent	Lvl.	Loc.	Material Code	Description & Specification	SNA	Qty.
1	BF641FST/XSA	1	M241	DG63-00007A	COVER-BOTTOM HEATER; BT63BSST,GI,T0.5,W43	SA	1
2	BF641FST/XSA	1	U075	DG61-00051A	BASE-BOTTOM; BT63BSST,SGCD1,T0.5,W555,L61	SA	1
3	BF641FST/XSA	1	M241	DG63-00007A	COVER-BOTTOM HEATER; BT63BSST,GI,T0.5,W43	SA	1
4	BF641FST/XSA	1	H053	DG61-00054A	CASE-RIGHT; BT63BSST,SGCD1,T0.5,W600,L529	SA	1
6	BF641FST/XSA	1		DG94-00385A	ASSY HOLDER NOISE FILTER; BQ3N3T020/BWT,G	SNA	1
6-1	DG94-00385A	2	M264	DG61-00444A	HOLDER-NOISE FILTER; BQ3N3T020,PP	SNA	1
6-2	DG94-00385A	2	M017	DG96-00021A	ASSY NOISE FILTER; -,SN-BF63,250V15A,E-OV	SA	1

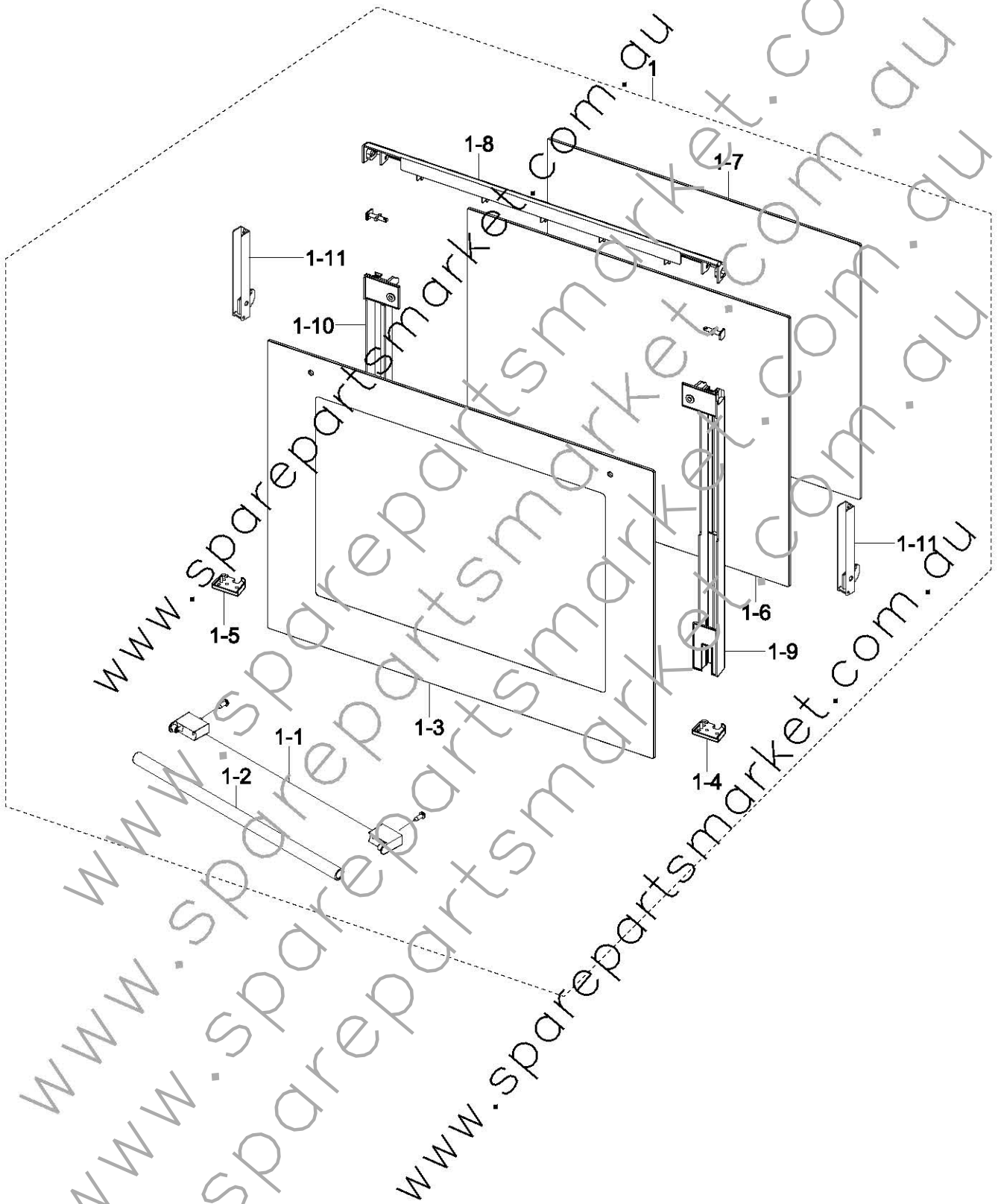
Exploded Views and Parts List

No.	Parent	Lvl.	Loc.	Material Code	Description & Specification	SNA	Qty.
7	BF641FST/XSA	1	M248	DG97-00011A	ASSY LAMP BULB; BT63BSST / BWT,-,230V25W,	SA	1
7-1	DG97-00011A	2	M249	DG97-00012A	ASSY LAMP BULB-SUB; BT63BSST / BWT,-,230V	SA	1
7-1-1	DG97-00012A	3	M279	DG63-00026A	COVER-LAMP BULB; BT63BSST / BWTGLASS,TRA	SNA	1
7-1-2	DG97-00012A	3	M278	DG47-00005A	LAMP-BULB; BT63BSST / BWT,25W,230V	SNA	1
7-3	DG97-00011A	2	M265	DG63-00029A	COVER-RING BULB; BT63BSST,STS 304,T0.5,W5	SA	1
7-4	DG97-00011A	2	M250	DG63-00098A	SHEET-RING BULB; BT62FQBST,STS304T0.5,W	SA	1
8	DG94-00261A	2	H015	DG63-00166A	COVER-CASING; BF691CST,SPP,T0.8,-,-,-,D	SA	1
9	BF641FST/XSA	1	X107	6021-001208	NUT-HEXAGON CAP; M4,NI PLT,SWRCH10A	SNA	1
10	BF641FST/XSA	1	H058	DG67-00011B	FAN-CONVECTION LOWER; BT62FOBPST,ALCOAT,P	SA	1
12	BF641FST/XSA	1	H123	DG47-00011A	HEATER-CONVECTION SINGLE; SHC-BF62E,BF62C	SC	1
14	BF641FST/XSA	1	H057	DG67-00001B	FAN-CONVECTION UPPER; BT62FOBPST,ALCOAT,P	SA	1
15	BF641FST/XSA	1	X107	6021-001211	NUT-HEXAGON CAP; M4,NI PLT,SWRCH10A LEFT	SNA	1
16	BF641FST/XSA	1	M007	DG47-00032A	HEATER-GRILL, CLASSIC2,2400W,230V,FIXED	SA	1
19	DG94-00088A	2	M032	DG47-00010B	THERMO STAT; NT-103NC,250V,15A,1205,0.26	SA	1
20	BF641FST/XSA	1	M258	DG96-00063A	ASSY MOTOR-COOLING; CLASSIC2,-,-,-,-	SA	1
20-1	DG96-00063A	2	M259	DG31-00010A	MOTOR FAN; SMF-621EA,CLASSIC2,50Hz,15W,12	SA	1
20-2	DG96-00063A	2	M261	DG67-00031A	FAN-COOLING; BF641FST,KA66,D87,4,-,G.F30%	SA	1
20-3	DG96-00063A	2	M022	DG63-00122A	COVER-BLOWER; BF641FST,Nylon#66 KN3321G15	SA	1
22	DG98-01005C	2	T112	DG63-00012A	TRAY-BAKING A; BT63BSST,SPP,T0.6,W550,L47	SA	1
23	BF641FST/XSA	1		DG94-00395F	ASSY COVER ADIABATIC-REAR; BF641FST,GI,T0	SNA	1
23-1	DG94-00395F	2	H001	DG31-00014A	MOTOR CONVECTION; SMC-EBF64A,230V/50Hz,12	SNA	1
23-2	DG94-00395F	2	H001	DG31-00014A	MOTOR CONVECTION; SMC-EBF64B,230V/50Hz,12	SNA	1
23-4	DG94-00395F	2	P258	DG63-00202A	COVER-ADIABATIC REAR; BQ3N3T020,GI-SGCC,T	SNA	1

No.	Parent	Lvl.	Loc.	Material Code	Description & Specification	SNA	Qty.
23-5	DG94-00395F	2	G005	DG65-00002A	TERMINAL BLOCK; BT63BSST,PA66,6sqmm,BROW	SA	1
23-6	DG94-00088A	2	M032	DG47-00010B	THERMOSTAT; NT-103NC,350V,15A,1205.0,25	SA	1
24	BF641FST/XSA	1	P186	DG63-00009B	COVER-BACK; BF62FQB PST,GI,T0.5,W630,L625,	SA	1
25	BF641FST/XSA	1	H050	DG61-00031A	BRACKET-AS COVER; BT63BSST,GI,T0.6,W180,L	SA	1
29	BF641FST/XSA	1	M054	DG32-00001A	SENSOR-THERMISTOR; PM3M-K342-S1,E-OVEN	SA	1
31	BF641FST/XSA	1	P223	DG63-00123A	COVER-FAN COOLING; BF641FST,ALCOAT,T0.5,W	SA	1
32	DG94-00088A	2	P219	DG94-00096A	ASSY BRACKET UPPER-SUB; BF641FST,GI,T0.5,	SA	1
32-1	DG94-00096A	3	M012	DG61-00275A	BRACKET-AIR GUIDE; BF641FST,ALCOAT,0.5,W1	SNA	1
32-2	DG94-00096A	3	M003	DG61-00262A	BRACKET-UPPER; BF641FST,GI,T0.5,-,-,CLA	SA	1
33	BF641FST/XSA	1	H054	DG61-00055A	CASE-LEFT; BT63BSST SGCD1,T0.5,W600,L533,	SA	1
34	DG98-01005C	2	T030	DG75-01005A	RACK-WIRE; BT621FSST/XSA,MSWR,CR+3,AUSTRA	SA	1
35	BF641FST/XSA	1	M242	DG63-00034A	COVER-SCREW; BT63BSST,ABS(HR0760SR),-,-,-	SA	2
37	BF641FST/XSA	1	M294	DG61-00040A	SUPPORT-HINGE LEFT; BT63BSST,GI,T1.5,W350	SA	1
38	BF641FST/XSA	1	M243	DG70-00002A	STEEL WIRE; BT63BSST,STEEL,L2000,T1.0	SA	2
40	BF641FST/XSA	1	D116	DG97-00019A	ASSY GASKET DOOR; BT63BSST / BWT,-,-,SILI	SNA	1
41	BF641FST/XSA	1	H052	DG61-00053A	CASE-UPPER B; BT63BSST,GI,T0.5,W567.6,L22	SA	1
42	DG94-00361E	2	H051	DG61-00052A	CASE-UPPER A; BT63BSST,GI,T0.5,W570.8,L36	SA	1
43	BF641FST/XSA	1	M293	DG61-00039A	SUPPORT-HINGE RIGHT; BT63BSST,GI,T1.5,W35	SA	1
44	BF641FST/XSA	1	W002	DG96-00207A	ASSY WIRE HARNESS-A; BF3N3T096,230/240V;	SA	1
45	BF641FST/XSA	1	W006	DG96-00197A	ASSY WIRE HARNESS-E; BQ3N3T013,230/240V;	SA	1

1.1. Assy Door

Exploded View

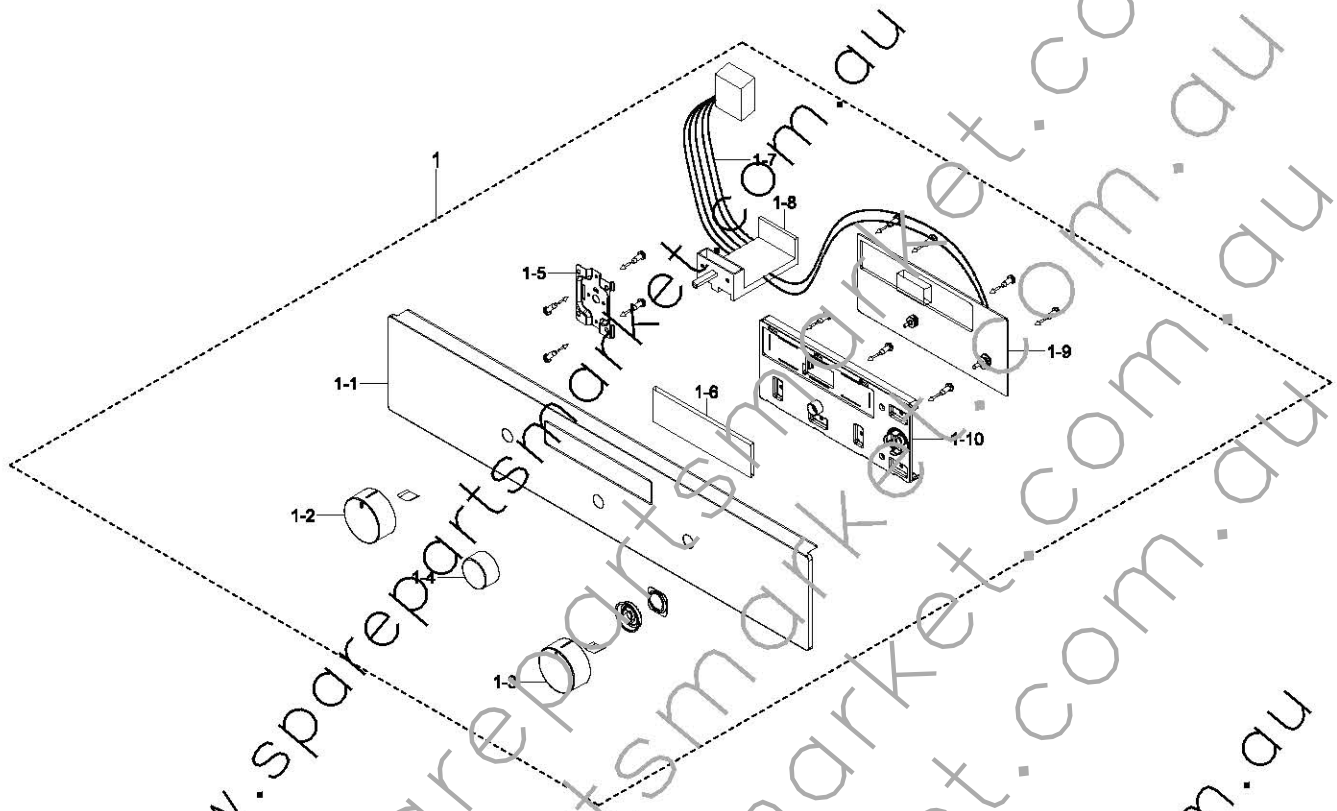


Parts List

No.	Parent	Lvl.	Loc.	Material Code	Description & Specification	SNA	Qty.
1	BF641FST/XSA	1	D049	DG94-00437B	ASSY DOOR; VE-PJT,GLASS, NO STS,SILVER,C-	SA	1
1-1	DG94-00437B	2	D026	DG63-00025B	COVER-HANDLE; BT62KOBPST,PC(LEXAN 141R),P	SA	2
1-2	DG94-00437B	2	D019	DG64-00015A	HANDLE DOOR; BF62CBST,AL,-,-,-,ANODIZ	SA	1
1-3	DG94-00437B	2	D015	DG94-00436A	ASSY DOOR SUB; BQ1D6G144/XEO,BLACK GLASS,	SA	1
1-4	DG94-00437B	2	D105	DG63-00210A	COVER-HINGE RIGHT; GVE MODEL,PBT+GF	SNA	1
1-5	DG94-00437B	2	D106	DG63-00211A	COVER-HINGE LEFT; GVE MODEL,PBT+GF	SNA	1
1-6	DG94-00437B	2	D109	DG64-00136B	GLASS-DOOR MIDDLE; CLASSIC2,GLASS,T4.0,TE	SNA	1
1-7	DG94-00437B	2	D110	DG64-00326A	GLASS-DOOR INNER; GVE MODEL,GLASS,T4.0,TE	SNA	1
1-8	DG94-00433A	3	D113	DG67-00046A	DUCT-DOOR COVER; GVE MODEL,PBT+GF	SNA	1
1-9	DG94-00436A	3	D114	DG61-00466A	FRAME-DOOR RIGHT; GVE,PBT+GF	SNA	1
1-10	DG94-00436A	3	D115	DG61-00465A	FRAME-DOOR LEFT; VE,PBT+GF	SNA	1
1-11	DG94-00437B	2	V002	DG97-00023A	ASSY HINGE; BT63BSST / BWT,-,-,BRERA	SA	2

1.2. Assy Control

Exploded View



Parts List

No.	Parent	Lvl.	Loc.	Material Code	Description & Specification	SNA	Qty.
1	BF641FST/XSA	1	C082	DG94-00470A	ASSY CONTROL BOX; CLASSIC2,STS,Orange,VE	SA	1
1-1	DG94-00470A	2	C001	DG94-00086A	ASSY CONTROL PANEL; CLASSIC2,ORANGE,-,230	SA	1
1-2	DG94-00470A	2	C029	DG64-00164A	KNOB-DIAL(A); BF641FST,PC LEXAN 141R,-,-	SA	1
1-3	DG94-00470A	2	C327	DG64-00191A	KNOB-DIAL(B); CLASSIC2,PC,BLK,LEXAN 141R	SA	1
1-4	DG94-00470A	2	C031	DG64-00165A	KNOB-TIMER; BF641FST/BWT,PC LEXAN 141R,-,-	SA	1
1-5	DG94-00470A	2	C168	DG61-00263A	BRACKET-SELECT SWITCH; BF641FST,G1,T0.8,W	SA	1
1-6	DG94-00470A	2	C009	DG64-00384A	WINDOW-DISPLAY; GVE-SINGLE,SAN	SA	1
1-7	DG94-00470A	2	W038	DG94-00206A	ASSY WIRE HARNESS-B; BF3N3T096,230/240V;	SA	1
1-8	DG94-00470A	2	C267	DG34-00008A	SWITCH-SELECT(ROTARY); SPINDLE,PA66+G.F25	SA	1

No.	Parent	Lvl.	Loc.	Material Code	Description & Specification	SNA	Qty.
1-9	DG94-00470A	2	C003	OCS-AC2-01	OCS-AC2-01,PCB; OCS-AC2-01,PCB		1
1-10	DG94-00470A	2	C226	DG61-00264A	HOLDER-DISPLAY; BF641FST,PC LEXAN 940 V0,	SA	1