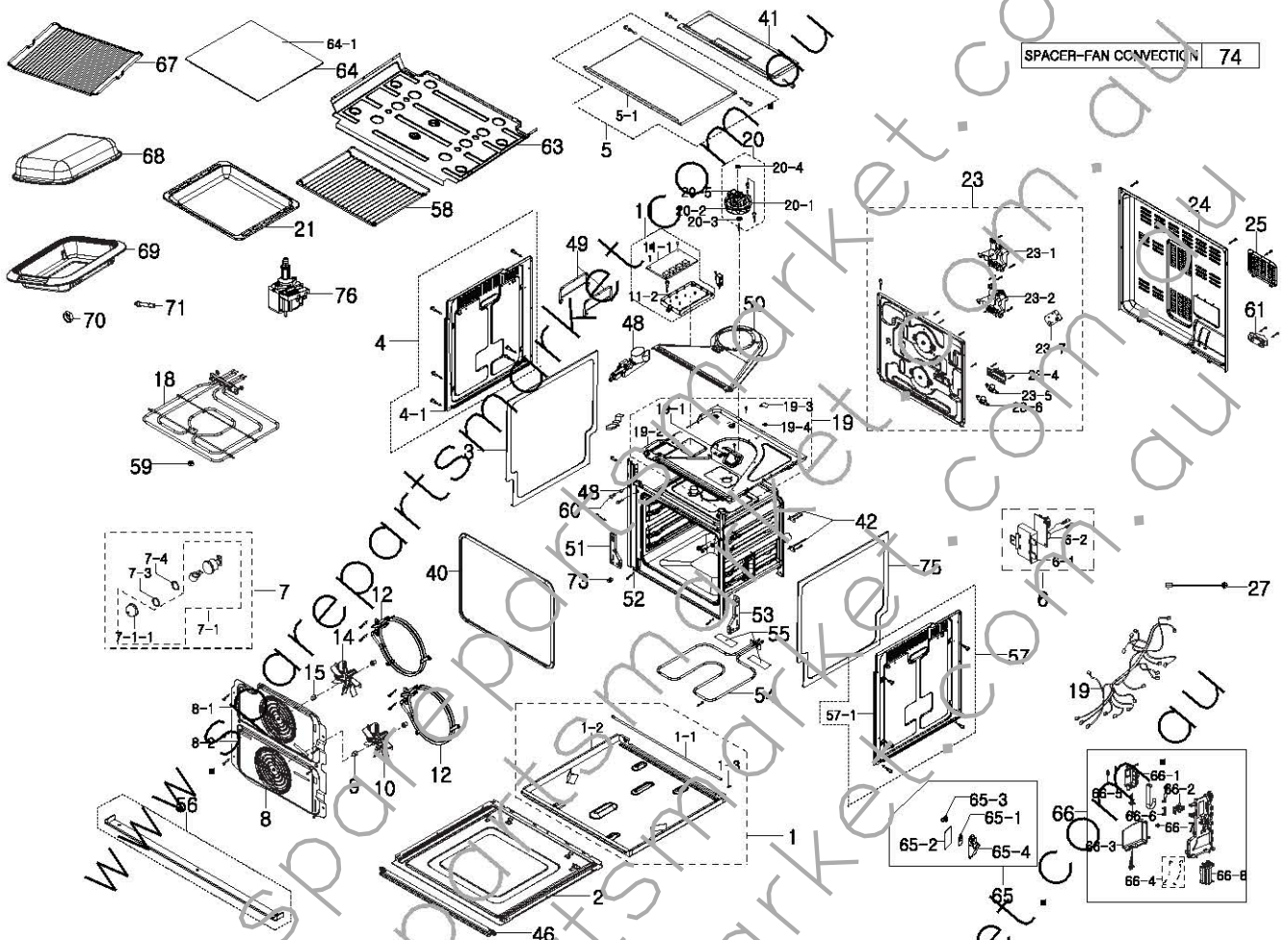


1. Main

Exploded View



Parts List

No.	Lvl.	Loc.	Material Code	Description & Specification	SNA	Qty.
1	2	P229	DG97-00105B	ASSY COVER-BOTTOM HEATER; BT62FQB PST,-,-	SA	1
1-1	3	U029	DG66-00014A	WIRE-COVER-BOTTOM HEATER; BT62FQB PST,STAI	SA	1
1-2	3	M241	DG63-00007A	COVER-BOTTOM HEATER; BT63BSST,GI-SGCC,T0.	SA	1
1-3	3	U028	DG47-00027A	HOLDER-R PIN; BT62FQB PST	SA	1
2	2	U075	DG61-00051A	BASE-BOTTOM; BT63BSST,GI-SGCC,T0.5,W555,L	SNA	1
3	2	P282	DG63-00085A	COVER-ADIABATIC-L/R; BT62FQB PST,GI-SGCC,T	SA	1
4	2		DG94-00329C	ASSY CASE-L; GF94TRT001,COOKER,HANDLE HOL	SA	1
4-1	3	H054	DG61-00655B	CASE-LEFT; NEO PJT,GI-SGCC,T0.5,W600,L533	SNA	1

Exploded Views and Parts List

No.	Lvl.	Loc.	Material Code	Description & Specification	SNA	Qty.
5	2	H094	DG94-00361A	ASSY CASE-UPPER; BF641FST,GI,T0.5	SA	1
5-1	3	H051	DG61-00052A	CASE-UPPER A; BT63BSST,GI-SGCC,T0.5,W570.	SA	1
6	2		DG94-00385C	ASSY HOLDER NOISE FILTER; STEAM JUPITER	SA	1
6-1	3	M264	DG61-00444C	HOLDER-NOISE FILTER; BI-SINGLE,PBT+GF,BLA	SA	1
6-2	3	M017	DG96-00021A	ASSY NOISE FILTER; -,SN-BF63,250V15A,E-QV	SA	1
7	2	M248	DG97-00011D	ASSY LAMP BULB; BQ2C7G069,PYROLYTIC,Sunli	SA	1
7-1	3	M249	DG97-00012B	ASSY LAMP BULB-SUB; BT62FQBPST,-,-,PYRO	SA	1
7-1-1	4	M279	DG63-00026A	COVER-LAMP BULB; BT63BSST / BWT,GLASS,-,T	SNA	1
7-3	3	M265	DG63-00029A	COVER-RING BULB; BT63BSST,STAINLESS-ST30	SA	1
7-4	3	M250	DG63-00098A	SHEET-RING BULB; BT62FQBPST,ST3304,T0.5,W	SA	1
8	2	H005	DG94-00260E	ASSY COVER CASING; JUPITER,SPP,T0.8,Ename	SNA	1
8-1	3		DG61-00371A	BRACKET-CASING GUIDE; BF691CST,SPP,T0.8,-	SA	2
8-2	3		DG61-00372A	BRACKET-CASING LOWER; BT691CST,SPP,T0.6	SA	1
9	2	X107	6021-001208	NUT-HEXAGON CAP; M4,NI PLT,SWRCH10A	SNA	1
10	2	H058	DG67-00011B	FAN-CONVECTION LOWER; BT62FQBPST,ALCOT,PI	SA	1
11	2		DG94-00386D	ASSY HOLDER PCB-MAIN; STEAM_JUPITER,VE-PJ	SA	1
11-1	3	F316	DE92-02369X	ASSY PCB MAIN; LED,24MD MAIN,Y,230V 50HZ,	SA	1
11-2	3	C195	DG61-00450A	HOLDER-PCB MAIN; GVE MODEL,PP,NTR,FH44N	SA	1
12	2	H048	DG47-00090A	HEATER SHEATH-CONVECTION; SHC-BT63E,BT63E	SA	2
14	2	H057	DG67-00001B	FAN-CONVECTION UPPER; BT62FQBPST,ALCOT,PI	SA	1
15	2	X107	6021-001211	NUT-HEXAGON CAP; M4,NI PLT,SWRCH10A,LEFT	SNA	1
18	2	M007	DG47-00025A	HEATER SHEATH-GRILL; BT62FQBPST,2700W,230	SA	1
19	2	P214	DG96-00037H	ASSY BRACKET UPPER; STEAM_JUPITER,0.6T	SNA	1
19-1	3	M013	DG61-00192A	BRACKET-AIR-GUIDE; BT62FQBPST,ALCOT,T0.6,	SA	1

No.	Lvl.	Loc.	Material Code	Description & Specification	SNA	Qty.
19-2	3	M003	DG61-00191B	BRACKET-UPPER; BF62CBST(SINGLE),GI-SGCD,T	SNA	1
19-3	3	H111	DE61-50490A	BRACKET-TCO; EGI-SECC,T0.5,34,47	SA	2
19-4	3	M464	DG47-00010A	THERMOSTAT; NT-103,250V,15A,1305,0,250V	SA	2
20	2	M258	DG96-00005C	ASSY MOTOR-COOLING; BT62FQBPST,-,-,PYRO	SA	1
20-1	3	M260	DG61-00056A	SUPPORT-MOTOR COOLING; BT63BSST,PA66,BLK,	SA	1
20-2	3	M261	DG67-00017A	FAN-COOLING; BT62FQBPST,PA66,NYLON#66 ØF1	SA	1
20-3	3	H009	DE60-40026B	WASHER-PLAIN, ZNC,OD12,T1.0,SBC1	SA	1
20-4	3	H024	DE60-30016A	NUT-FLANGE; MSWR-SWRM,MSWR10	SA	3
20-5	3	M302	DG31-00001C	MOTOR AC FAN-BLOWER; SMV-610PEA,2,230V,50	SA	1
21	3	T111	DG63-00011A	TRAY-BAKING B; BT63BSST,SPP,T0.6,W660,L47	SA	1
23	2		DG94-00631A	ASSY COVER ADIABATIC-REAR; steam pyro	SA	1
23-1	3	H001	DG31-00018A	MOTOR AC CONVECTION; 24" OVEN,SMC-EBQV1A,	SA	1
23-2	3	H001	DG31-00019A	MOTOR AC CONVECTION; LOBSTAR,SMC-EBQV1B,2	SA	1
23-4	3	G005	DG65-00002A	TERMINAL BLOCK; BT63BSST,PA66,6 sqmm,BROW	SA	1
23-5	3	M464	DG47-00010A	THERMOSTAT; NT-103,250V,15A,1305,0,250V	SA	2
23-6		M451	DE47-20032B	THERMOSTAT; NT-101,125/250V,855,755,1	SA	1
23-7	3	H111	DE61-50490A	BRACKET-TCO; EGI-SECC,T0.5,34,47	SA	2
24	3	P186	DG63-00240A	COVER-BACK; EQV1Q6T014,GI-SGCC,T0.5	SNA	1
25	2	H050	DG61-00031A	BRACKET-AS COVER; BT63BSST,GI-SGCC,T0.6,W	SA	1
27	2	W006	DG96-00197A	ASSY WIRE HARNESS-F; BQ3N3T013,230/240V;	SA	2
40	2	M370	DG63-00095A	GASKET-DOOR; BT62FQBPST,FIBER GLASS,FIBER	SA	1
41	2	H052	DG61-00053A	CASE-UPPER(B);BT63BSST,GI-SGCC,T0.5,-,BI	SA	1
42	2	M300	DG32-00004B	THERMISTOR-SENSOR; PT1000-S2,1000 Ohm,385	SNA	2
46	2		DG64-00413A	DOOR-GUTTER; NEO PFT0A,T0.5,BLACK-COATIN	SA	1
48	2	B120	DG97-00100A	ASSY-DOOR LOCK; -,BT62FQBPST,-	SA	1
49	2	P284	DG66-00012A	WIRE-HANDLE; BT62FQBPST,MSWR-SWRM,5	SA	2
50	2	M392	DG63-00086B	COVER-FAN-COOLING; BT62FQBPST,ALCOT,T0.6,	SA	1
51	2	M294	DG61-00255A	SUPPORT-HINGE LEFT; JM PYROLYTIC,GI-SGCC,	SA	1
52	2	M262	6031-001545	WASHER-SPRING; STS430,ID5,OD11.8,T0.3,Dar	SA	4

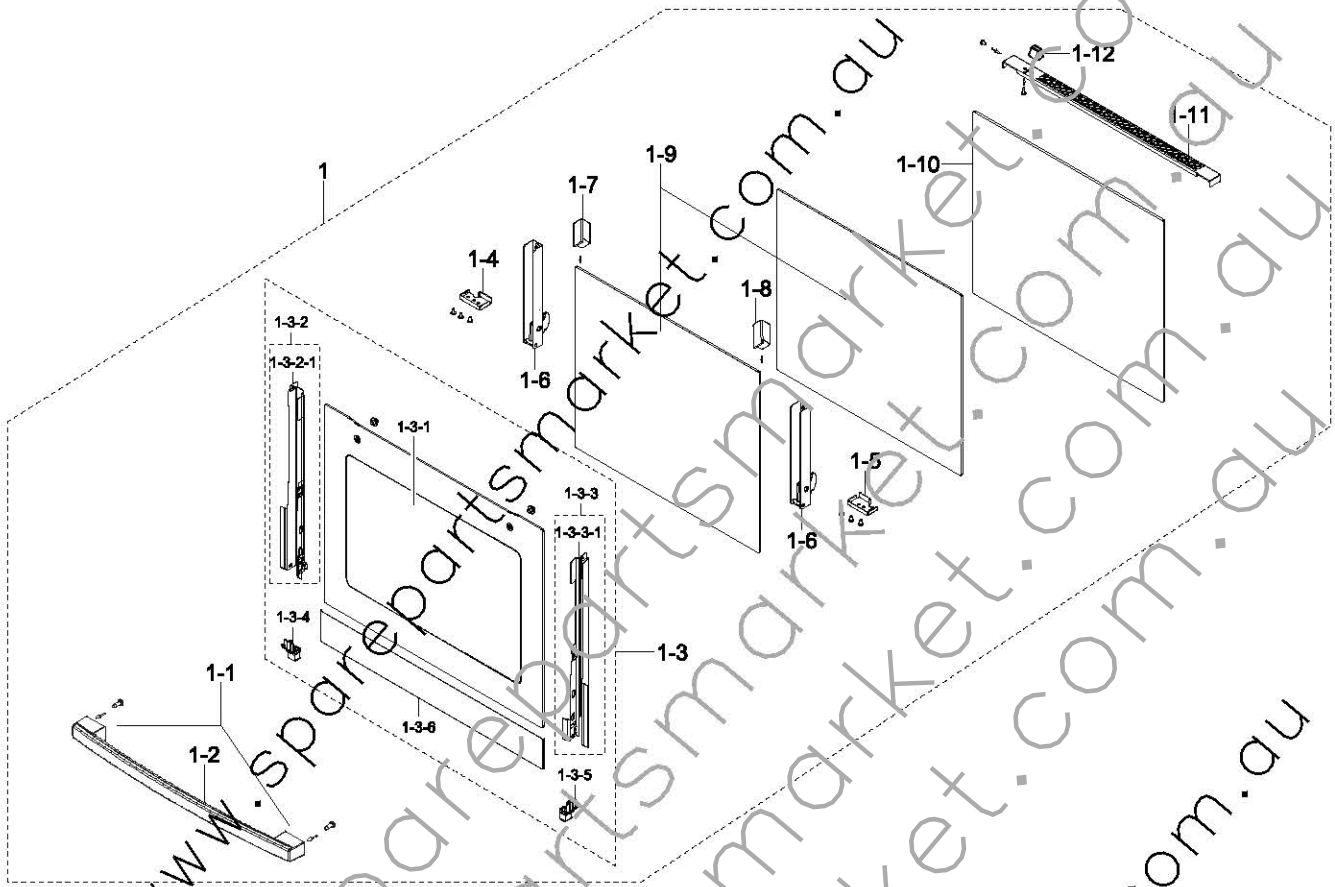
Exploded Views and Parts List

No.	Lvl.	Loc.	Material Code	Description & Specification	SNA	Qty.
53	2	M293	DG61-00256A	SUPPORT-HINGE RIGHT; JM PYROLYTIC,GI-SGCC	SA	1
54	2	M224	DG47-00007A	HEATER SHEATH-BOTTOM; SHB-BT63E,E-OVEN,SU	SA	1
55	2	M389	DG62-00026A	ADIABATIC-HEATER; BT65FQBPST,CERAMIC WOOL	SNA	2
56	2		DG61-00193B	BRACKET-COOLING-GUIDE; DX6211K,GI-SGCC,T0	SA	1
57	2		DG94-00328C	ASSY CASE-R; GF94TRT001,COOKER,HANDLE HOL	SA	1
57-1	3	H053	DG61-00654B	CASE-RIGHT; NEO (PT,GI-SGCC,T0.5,W525,L10	SNA	1
58	3		DG75-01055A	RACK WIRE; MSWR-SWRM,461,353.2	SA	1
59	2	H024	DE60-30016A	NUT-FLANGE; MSWR-SWRM,MSWR10	SA	2
60	2	M268	DG73-00002A	RUBBER-CUSHION; BT63BSST,SILICONE RUBBER,	SA	2
61	2		DG61-00405A	HOLDER-CABLE; DX6292K,PA66,WHIT	SA	1
63	2	P280	DG63-00083A	COVER-ADIABATIC LOWER; BT62FQBPST,GI-SGCC	SA	1
64	2	B034	DG97-00015C	ASSY-PARTITION; BTS14D4T,-,MANUAL-GUIDE	SA	1
64-1	3	B034	DG67-00013A	PARTITION-UPPER; BT63BSST,SP,T0.8,W500,L	SNA	1
65	2	SA	DG97-00033C	ASSY-LAMP HALOGEN; BT62FQBPST,-,350M254		
65-1	3	U105	DG47-00006A	LAMP-HALOGEN; BT63BSST / BWT,40W,230V,TWI	SA	1
65-2	3	M255	DG63-00027B	COVER-LAMP HALOGEN; BT62FQBPST,GLASS,PYRO	SNA	1
65-3	3	M256	DG70-00001A	HOOK-COVER HALOGEN; BT63BSST / BWT,SK5,T0	SNA	1
65-4	3	M538	DG97-00013C	ASSY LAMP-HALOGEN (LB); BT62FQBPST,-,230V/	SC	1
66	2		DG94-00493A	ASSY-STEAM MODULE; STEAM JUPITER,STS304	SA	1
66-1	3		DG94-00497A	ASSY-STEAM GENERATOR; STEAM JUPITER,STS30	SA	1
66-2	3	F063	DG62-00050A	VALVE WATER; BQ1VQ6T012/XEF,NYLON, POM,S	SA	1
66-3	3		DG94-00583A	ASSY-STEAM WATERTANK; STEAM JUPITER,STS30	SA	1
66-4	3		DG96-00228A	ASSY WIRE HARNESS-GENERATOR; BQ1VD6T131/X	SA	2
66-5		M029	DE47-20035A	THERMOSTAT; NT-101,125/250V,1205,0,250H	SA	2
66-6	3		DG65-00011C	CLAMP-STEAM TUBE; STEAM JUPITER,STAINLESS	SA	4

No.	Lvl.	Loc.	Material Code	Description & Specification	SNA	Qty.
66-7	3		DG65-00011D	CLAMP-STEAM TUBE; STEAM JUPITER,STAINLESS	SA	5
66-8	3		DG94-00620A	ASSY-GENERATOR SUB; STEAM JUPITER,PA6 + G	SA	1
67	3	M272	DG59-00004A	RACK-WIRE ROAST; BT63BSST,MSWF,W422,L289	SA	1
68	3		DG01-00010A	GLASS-STEAM; 440*305*84.5,ST	SA	1
69	3		DG63-00242A	TRAY-STEAM; STEAM,STAINLESS-ST304,T0.6,-	SA	1
70	3	P392	DG61-00552A	HOLDER-NUT; STEAM_JUPITER,STAINLESS-ST304	SA	1
71	3		DG94-00579A	ASSY-PIPE STEAM; STEAM JUPITER,BRAZING WE	SA	1
73	2	M242	DG63-00119A	COVER-SCREW; BT65FQBPST,ABS,PYROLYTIC,HG0	SA	2
74	2	H049	DG60-00007A	SPACER-FAN CONVECTION; BT63BSST,STKM,1A,L	SA	2
75	2	M083	DG63-00124A	COVER-ADIABATIC-R; BT62FQBPST,GI-SGCC,T0	SNA	1
76	2	SA	DE31-00065A	MOTOR AC PUMP; NME1,2,230V,50HZ,16W,60(NULL)	1	

1.1. Assy Door

Exploded View



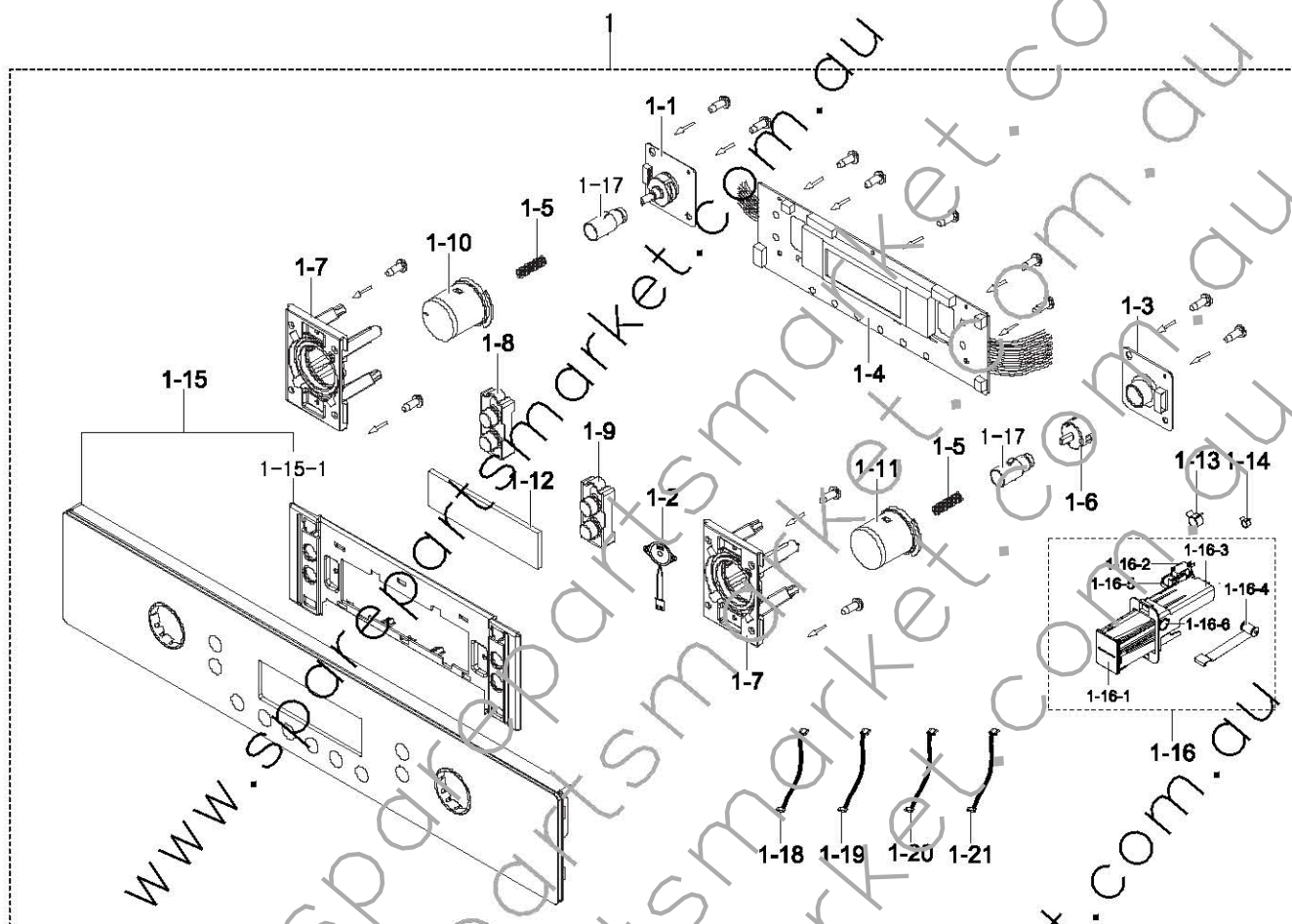
Parts List

No.	Parent	Lvl.	Lec	Material Code	Description & Specification	SNA	Qty.
1	BQ1VQ6T012/XSA	1	D049	DG94-00076Q	ASSY DOOR; STEAM_JUPITER,PYRO,STSS	SA	1
1-1	DG94-00076Q	2	D147	DG63-00133B	COVER HANDLE; GEO,ABS,NATURAL STS SILVER,	SA	2
1-2	DG94-00076Q	2	D019	DG64-00203A	HANDLE DOOR; GEO,AL,CURVED,ANODAZING, HAI	SA	1
1-3	DG94-00076Q	2	D015	DG94-00075F	ASSY DOOR SUB; GEO 699,STS+GLASS,GEO PYRO	SA	1
1-3-1	DG94-00075F	3	D146	DG64-00138F	GLASS-DOOR OUTER; GEO,GLASS,T4.0,W594,L46	SNA	1
1-3-2	DG94-00075F	3	D154	DG96-00056A	ASSY-FRAME DOOR LEFT; BT65FQBPST,-,-	SNA	1
1-3-2-1	DG96-00056A	4	D115	DG61-00243A	FRAME-DOOR LEFT; BT65FQBPST,GA,-,-,BLK CO	SNA	1
1-3-3	DG94-00075F	3		DG96-00057A	ASSY-FRAME DOOR RIGHT; BT65FQBPST,-,-	SNA	1

No.	Parent	Lvl.	Loc.	Material Code	Description & Specification	SNA	Qty.
1-3-3	DG96-00057A	4	D114	DG61-00244A	FRAME-DOOR RIGHT; BT65FQB PST,GA,-,-,BLK C	SNA	1
1-3-4	DG94-00075F	3	D152	DG61-00231A	SUPPORT-FRAME LEFT; JM PYROLYTIC,PBT+PET,	SNA	1
1-3-5	DG94-00075F	3	D153	DG61-00232A	SUPPORT-FRAME RIGHT; JM PYROLYTIC,PBT+PET	SNA	1
1-3-6	DG94-00075F	3	D133	DG64-00211A	CHASSIS DOOR; GEO(TWIN),STS430 #4,T0.4	SNA	1
1-4	DG94-00076Q	2	D105	DG63-00115A	COVER-HINGE RIGHT; JM PYROLYTIC,GA,T1.0,-	SA	1
1-5	DG94-00076Q	2	D106	DG63-00116A	COVER-HINGE LEFT; JM PYROLYTIC,GA,T1.0,-	SA	1
1-6	DG94-00076Q	2	V002	DG97-00023E	ASSY HINGE; BT65FQB PST,-,-,PYROLYTIC-JM,6	SA	2
1-7	DG94-00076Q	2	P420	DG61-00350A	HOLDER-GLASS RUBBER R; BQ2Q7G069,SILICON	SA	1
1-8	DG94-00076Q	2	P421	DG61-00351A	HOLDER-GLASS RUBBER L; BQ2Q7G069,SILICON	SA	1
1-9	DG94-00076Q		D109	DG64-00154B	GLASS-DOOR MIDDLE; BT62FQB PST,HEATING REF	SA	2
1-10	DG94-00076Q	2	D110	DG64-00155B	GLASS-DOOR INNER; STEAM JUPITER,HEATING R	SA	1
1-11	DG94-00076Q	2	D113	DG67-00027A	DUCT-DOOR COVER; BT62FQB PST,GA,-,-,BLK,	SA	1
1-12	DG94-00076Q	2	D151	DG61-00254A	HOLDER-DOOR LOCK; BT65FQB PST,NYLON #66,-,	SA	1

1.2. Assy Control

Exploded View



Parts List

No.	Lvl.	Loc.	Material Code	Description & Specification	SNA	Qty.
1	2	C082	DG94-00343Q	ASSY CONTROL BOX; JUPITER,230V50Hz,STSS,S	SNA	1
1-1	3	C319	DE96-00810A	ASSY-MODE; BF1C4N082/XEO,DAM-GEO CP MODE-	SA	1
1-2	3	C197	DE96-00686B	ASSY BUZZER; E-OVEN,KPK-G3020-450,450mm,2	SA	1
1-3	3	Y101	DE92-02030A	ASSY PCB SUB; JP,BT65FQBST,N,ENCODER SWIT.	SA	1
1-4	3	C154	DE96-00891G	ASSY DISPLAY; BQ1VQ6T012/XEF,DAM-MF TACT	SA	1
1-5	3	C188	DG61-00069A	SPRING ETC-POP UP; BT63BSST / BWT,SWP,10,	SNA	2
1-6	3	C352	DG61-00250A	HOLDER-ENCODER SWITCH; JM PYROLYTIC,PA66,	SA	1
1-7	3	C360	DG61-00306B	HOLDER-KNOB; BQV1Q6T014/XEF,PC,BLK,TACT	SNA	2

No.	Lvl.	Loc.	Material Code	Description & Specification	SNA	Qty.
1-8	3	C235	DG64-00200S	BUTTON-CLOCK L; Jupiter,PC,Silver Spray,J	SNA	1
1-9	3	C236	DG64-00200T	BUTTON-CLOCK R; Jupiter,PC,SILVER SPRAY,J	SNA	1
1-10	3	C185	DG64-00207Q	KNOB-DIAL SELECT; BF1C4T082/XEO,PC,NATURA	SA	1
1-11	3	C190	DG64-00207C	KNOB-DIAL ENCODER; GEO(TWIN)PC,HB,BLACK,	SA	1
1-12	3	C009	DG64-00246A	WINDOW-DISPLAY; BTD1664TL/XEI,ACRYL,T3.0	SNA	1
1-13	3		DG65-00011B	CLAMP-STEAM TUBE; STEAM JUPITER,STAINLESS	SA	2
1-14	3		DG65-00011D	CLAMP-STEAM TUBE; STEAM JUPITER,STAINLESS	SA	5
1-15	3	C001	DG94-00344F	ASSY CONTROL PANEL; STEAM_JUPITER,STSS,ST	SA	1
1-15-1	4	C178	DG61-00303D	HOLDER-PCB; GEO C-P,PC,BLK,GEO TWIN, C-P,	SNA	1
1-16	3		DG90-00498A	ASSY-INLET WATER; STEAM_JUPITER	SA	1
1-16-1	4		DG81-01259A	DUCT-WATER; PC,940V0,BLACK	SNA	1
1-16-2	4	B048	3405-001034	SWITCH-MICRO; 125/250VAC,16A,200gl,SPST-N	SA	1
1-16-3	4		DG66-00024A	LATCH-INLET; STEAM_JUPITER,POM	SA	1
1-16-4	4		DG61-00560A	PLATE-SPRING; STEAM_JUPITER,POM	SNA	1
1-16-5	4		DG66-00022A	LEVER-SWITCH DRAIN; STEAM- JUPITER,PBT+GF	SA	1
1-16-6	4		DG66-00023A	GEAR-INLET WATER; STEAM_JUPITER,POM	SA	1
1-17	3	C187	DG96-00001A	ASSY-POP UP; BT63BSST,PBT,BLITW	SNA	2
1-18	3	T180	DG96-00102A	ASSY-WIRE TOUCH B; BTS16D4G,230/50Hz,UL34	SA	1
1-19	3	W038	DG96-00199A	ASSY WIRE HARNESS-B; BQ2D7G044,230/240V;	SA	1
1-20	3	W004	DG96-00200A	ASSY WIRE HARNESS-C; BQ2D7G044,230/240V;	SA	1
1-21	3	W005	DG96-00201A	ASSY WIRE HARNESS-D; BQ2D7G044,230/240V;	SA	1