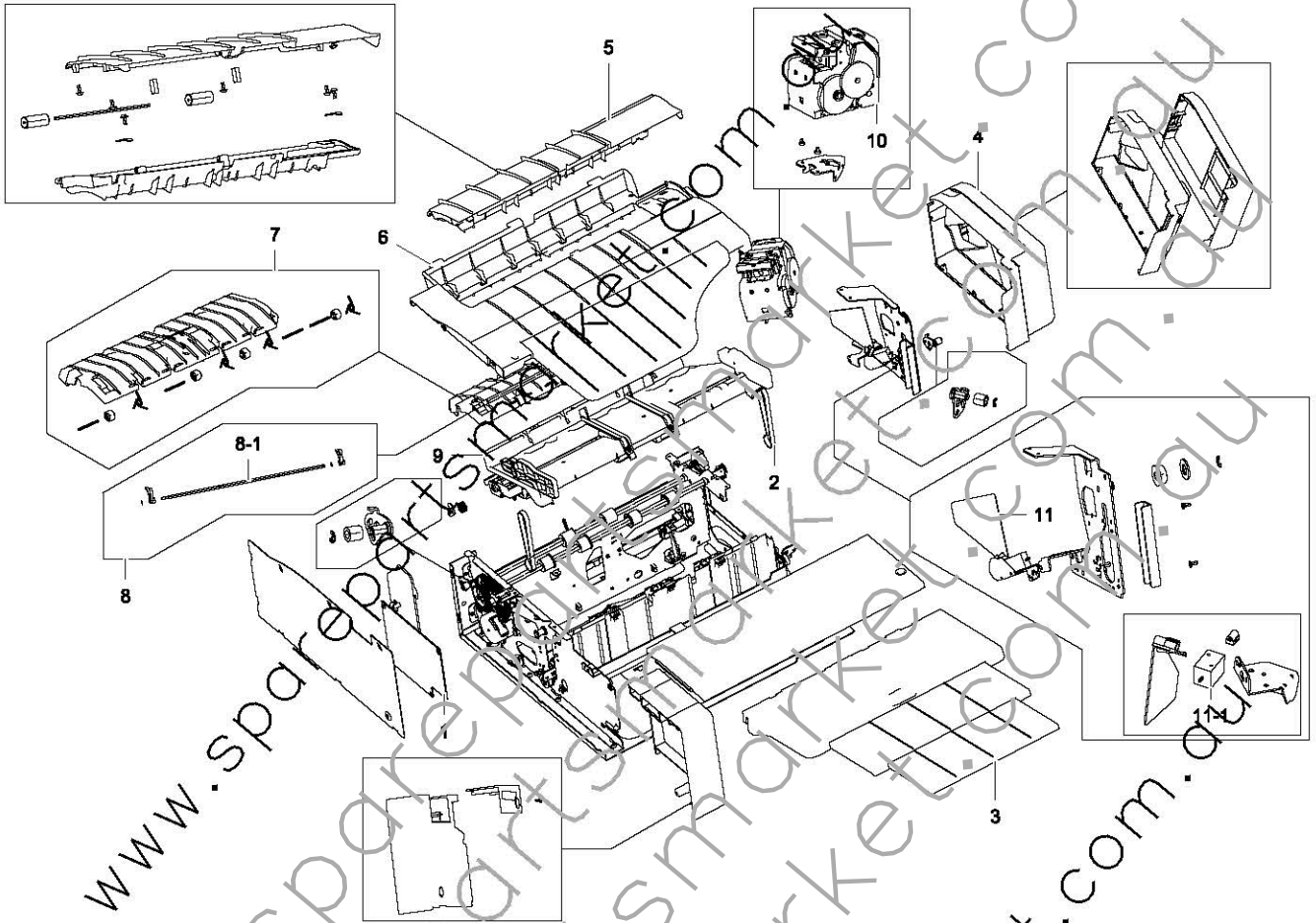


1. Finisher

Exploded View

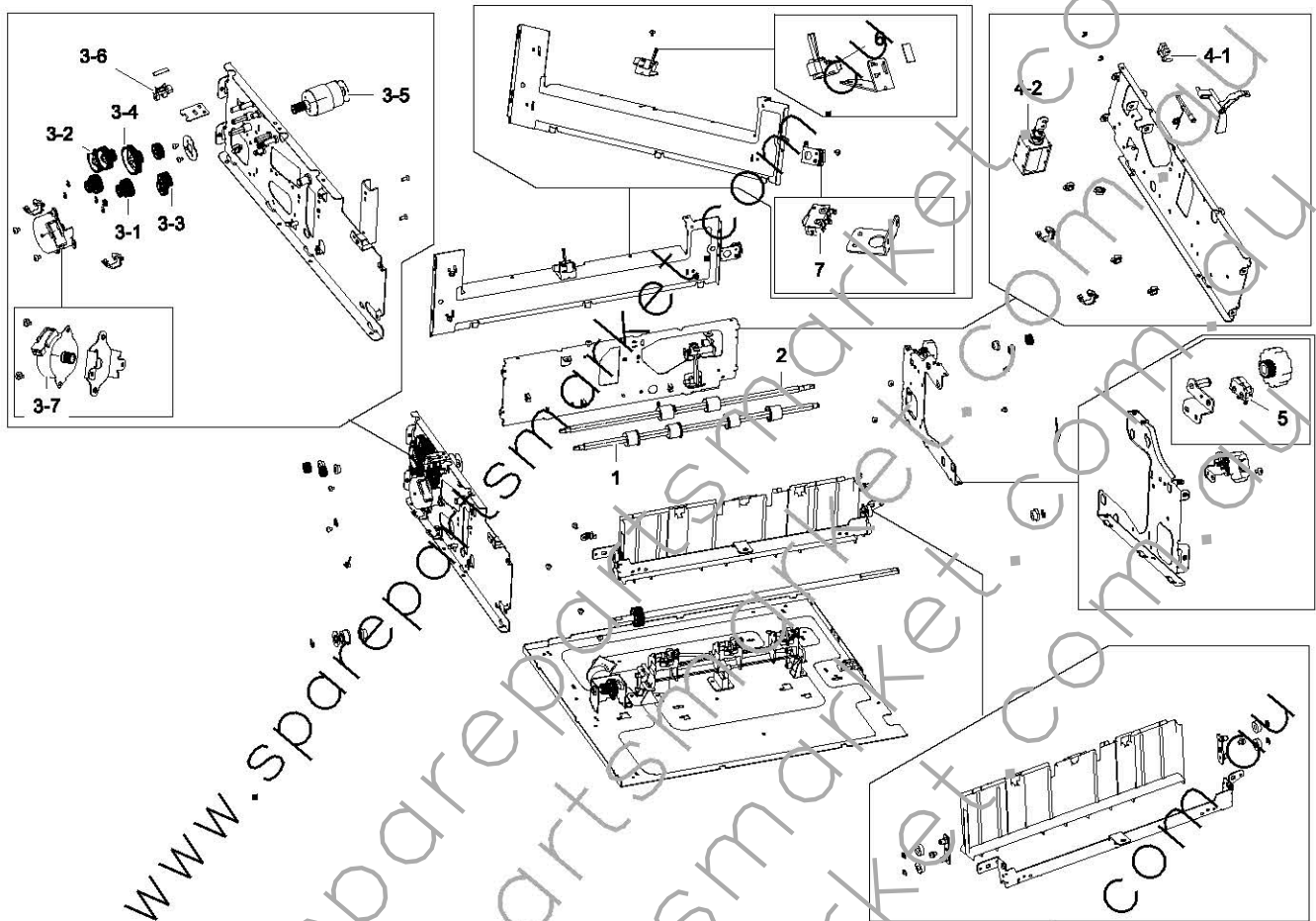


Parts List

No.	Lvl.	Loc.	Material Code	Description & Specification	SNA	Qty.
1	3		JC81-09692A	AS-POB P-FINISHER; CLX-9201,Inner Finishe	SA	1
2	3		JC81-09765A	AS-TRAY BELT; CLX-FIN50S	SNA	2
3	3		JC81-09761A	AS-MAIN TRAY; CLX-FIN50S	SNA	1
4	3		JC81-09758A	AS-FRONT COVER UNIT; CLX-FIN50S	SNA	1
5	3		JC81-09760A	AS-JAM DOOR UNIT; CLX-FIN50S	SNA	1
6	3		JC81-09759A	AS-TOP TRAY UNIT; CLX-FIN50S	SNA	1
7	3		JC81-09766A	AS-ENTRANCE BOTTOM UNIT; CLX-FIN50S	SNA	1
8	3		JC81-09757A	AS-PADDLE UNIT; CLX-FIN50S	SNA	1
8-1	3		JC81-09691A	AS-ASSY PADDLE SHAFT; Inner Finisher	SA	1
9	3		JC81-09763A	AS-COMPILER BASE SUB; CLX-FIN50S	SNA	1
10	3		JC81-07376A	AS-STAPLER UNIT; CLX-9350,FINISHER,AS,1K,	SA	1
11	3		JC81-09762A	AS-SAFETY COVER UNIT; CLX-FIN50S	SNA	1
11-1	3		JC81-09684A	AS-SOLENOID STAPLER; Inner Finisher	SA	1

1.1. Metal Frame Sub

Exploded View



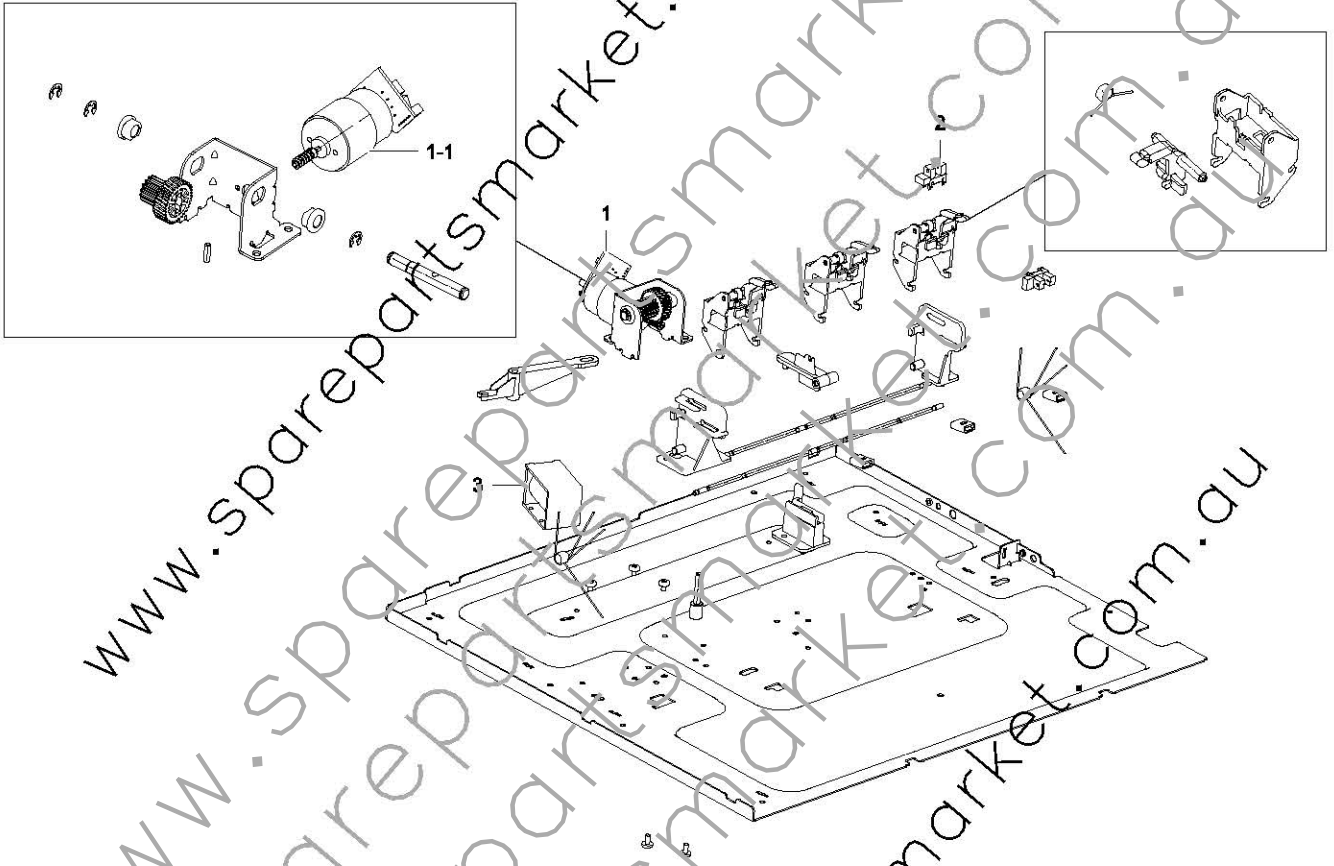
Parts List

No.	Lvl.	Loc.	Material Code	Description & Specification	SNA	Qty.
1	3		JC81-09640A	AS-ROLLER PAPER EXIT; CLX-9201,Inner Fini	SNA	1
2	3		JC81-09639A	AS-ROLLER PAPER FEEDING; CLX-9201,Inner F	SNA	1
3-1	3		JC81-09592A	AS-GEAR 32_20TM06; CLX-9201,Inner Finishe	SNA	1
3-2	3		JC81-09593A	AS-GEAR 20_46TM06; CLX-9201,Inner Finishe	SNA	1
3-3	3		JC81-09595A	AS-GEAR IDLE 27TM06; CLX-9201,Inner Finis	SNA	1
3-4	3		JC81-09596A	AS-GEAR 55_20TM06; CLX-9201,Inner Finishe	SNA	1
3-5	3		JC81-09677A	AS-MOTOR DC FEED; Inner Finisher	SA	1
3-6	3		JC81-09733A	AS-SENSOR INTERRUPT; CLX-9201,Inner Finis	SA	7
3-7	3		JC81-09678A	AS-MOTOR PM PADDLE; Inner Finisher	SA	1
4-1	3		JC81-09733A	AS-SENSOR INTERRUPT; CLX-9201,Inner Finis	SA	1
4-2	3		JC81-09682A	AS-SOLENOID PUSH HOLDER; Inner Finisher	SA	1
5	3		JC81-09687A	AS-SWITCH DOOR INTERLOCK; CLX-9201,Inner	SA	2

No.	Lvl.	Loc.	Material Code	Description & Specification	SNA	Qty.
6	3		JC81-09686A	AS-SENSOR FEED; CLX-9201,Inner Finisher	SA	2
7	3		JC81-09687A	AS-SWITCH DOOR INTERLOCK; CLX-9201,Inner	SA	1

1.1.1. Bottom Plate Sub

Exploded View

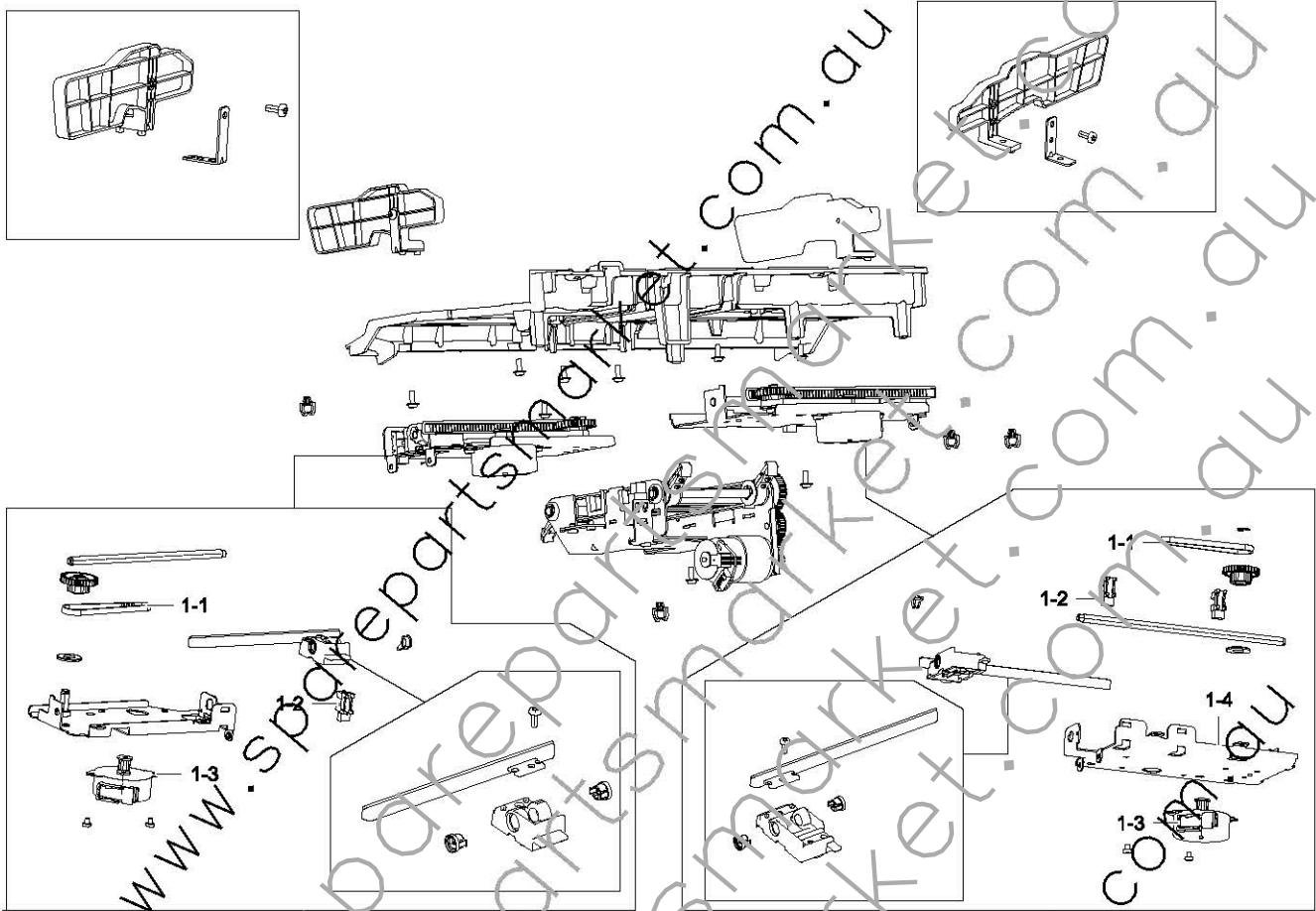


Parts List

No.	Lvl.	Loc.	Material Code	Description & Specification	SNA	Qty.
1	3		JC81-09756A	AS-MAIN TRAY TRANSMISSION; CLX-FIN50S	SNA	1
1-1	3		JC81-09679A	AS-MOTOR DC TRAY; Inner Finisher	SA	1
2	3		JC81-09733A	AS-SENSOR INTERRUPT; CLX-9201,Inner Finis	SA	7
3	3		JC81-09683A	AS-SOLENOID SCU; CLX-9201,Inner Finisher	SA	1

1.2. Complier Base Sub

Exploded View

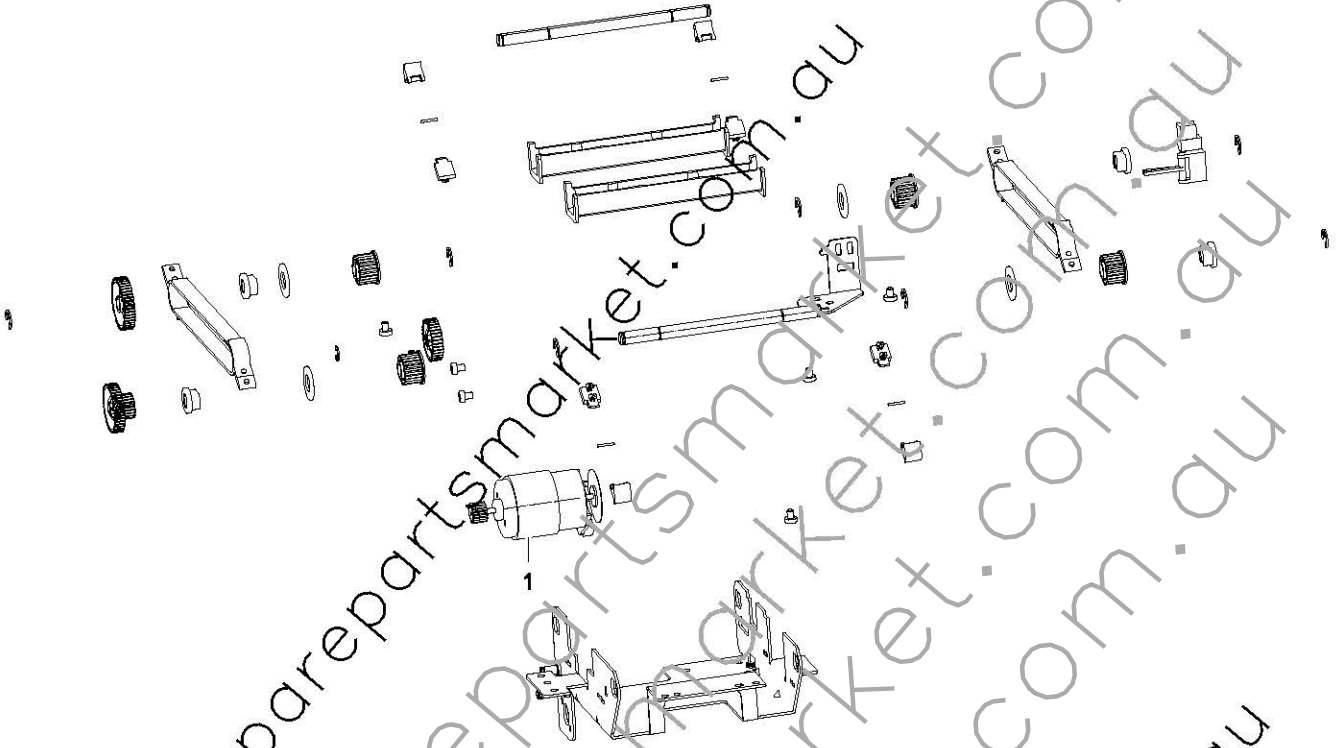


Parts List

No.	Lvl.	Loc.	Material Code	Description & Specification	SNA	Qty.
1-1	3		JC81-09767A	AS-TAMPER BELT; CLX-FIN50S	SNA	2
1-2	3		JC81-09733A	AS-SENSOR INTERRUPT; CLX-9201,Inner Finis	SA	7
1-3	3		JC81-09681A	AS-MOTOR PM TAMPER; Inner Finisher	SA	2
1-4	3		JC81-09768A	AS-PLATE TAMPER REAR; CLX-FIN50S	SNA	1

1.2.1. Ejector Sub Assy

Exploded View

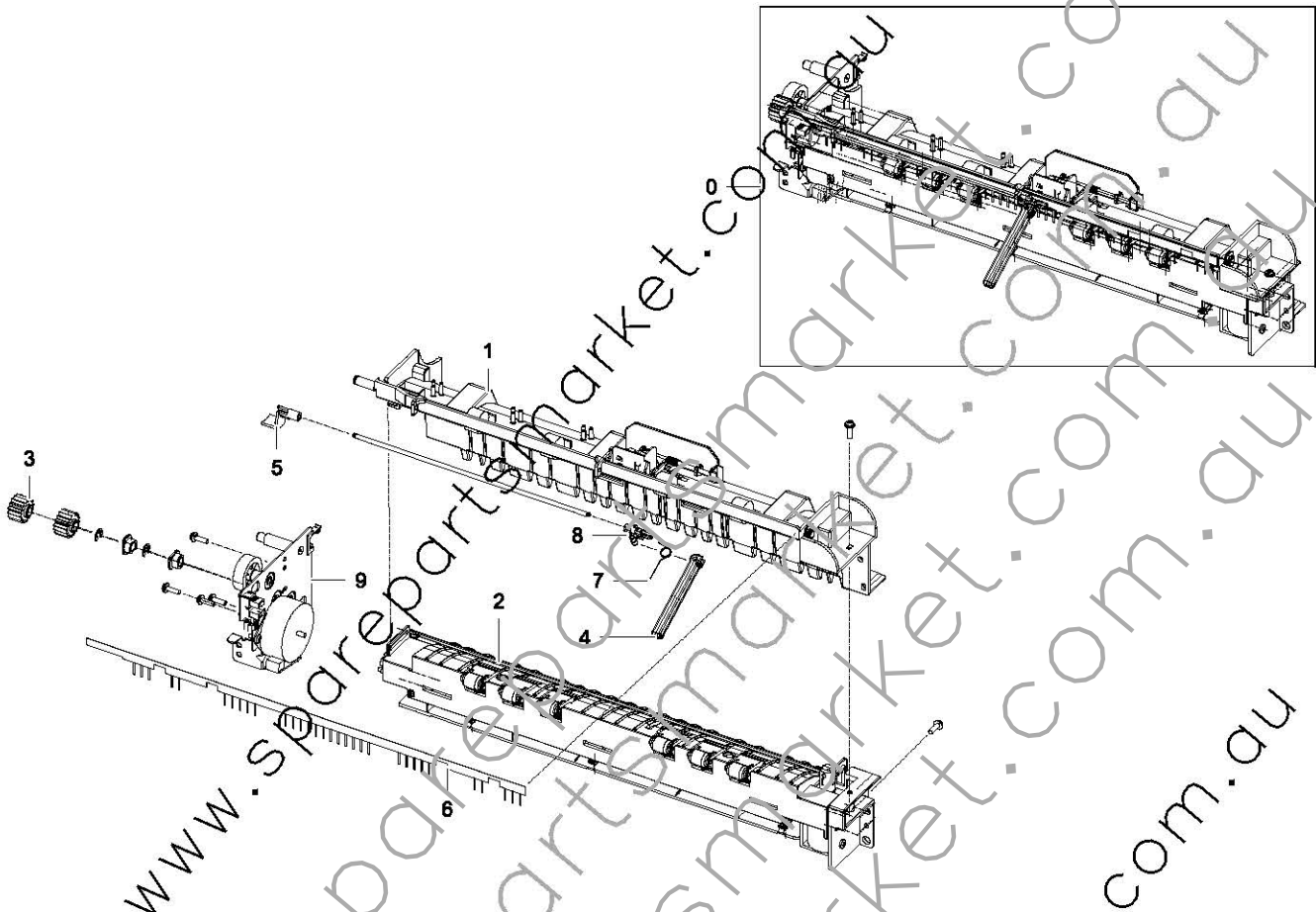


Parts List

No.	Lvl.	Loc.	Material Code	Description & Specification	SNA	Qty.
1	3		JC81-09680A	AS-MOTOR DC EJECTOR; Inner Finish	SA	1

2. EXIT-SECOND

Exploded View

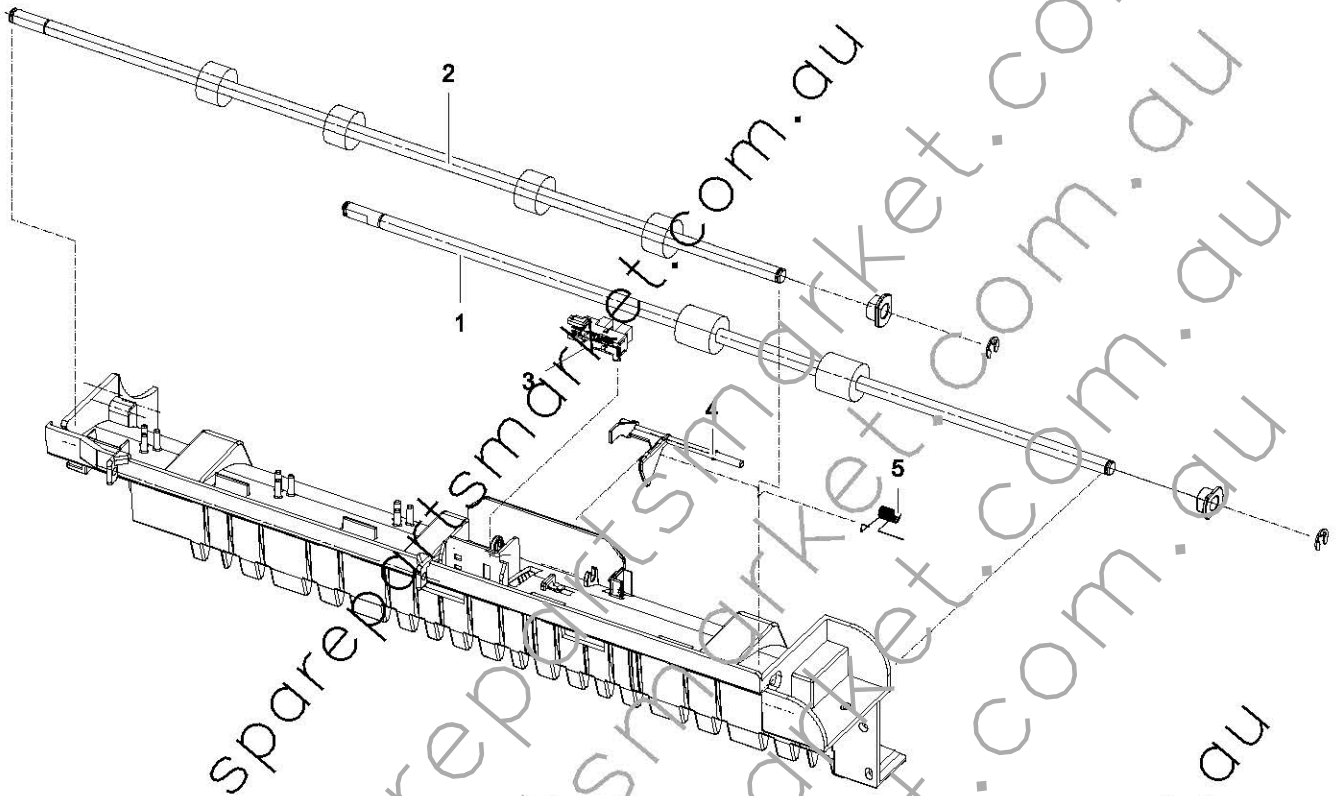


Parts List

No.	Lvl.	Lcc.	Material Code	Description & Specification	SNA	Qty.
0	3		JC90-01119A	EXIT-SECOND; CLX-9201	SNA	1
1	4		JC90-01134A	EXIT-GUIDE 2ND UPPER; CLX-9201	SNA	1
2	4		JC90-01135A	EXIT-GUIDE 2ND LOWWR; CLX-9201	SNA	1
3	4		JC66-02163A	GEAR-EXIT; CLX-9350;POM,1.0,16,18.39	SA	2
4	4		JC66-02332A	ACTUATOR-F_D_FULL_EXIT; SCX-8040,PC HN-10	SA	1
5	4		JC66-02218A	LEVER-ACTURATOR F_D FULL; CLX-9350;PC,HAZ	SA	1
6	4		JC67-00563A	BRUSH_EXIT; CLX-9201,SUS FIBER,347.5,16.9	SNA	1
7	4		6107-002654	SPRING-TS; SUS304,PI0.45,ID6.5,OD7.4,RIGH	SC	1
8	4		JC66-02278A	LEVER-ACT FULL EXIT; CLX-9350;PC,Black	SA	1
9	4		JC90-01138A	EXIT-BRACKET 2ND; CLX-9201	SNA	1

2.1. EXIT-GUIDE 2ND UPPER

Exploded View

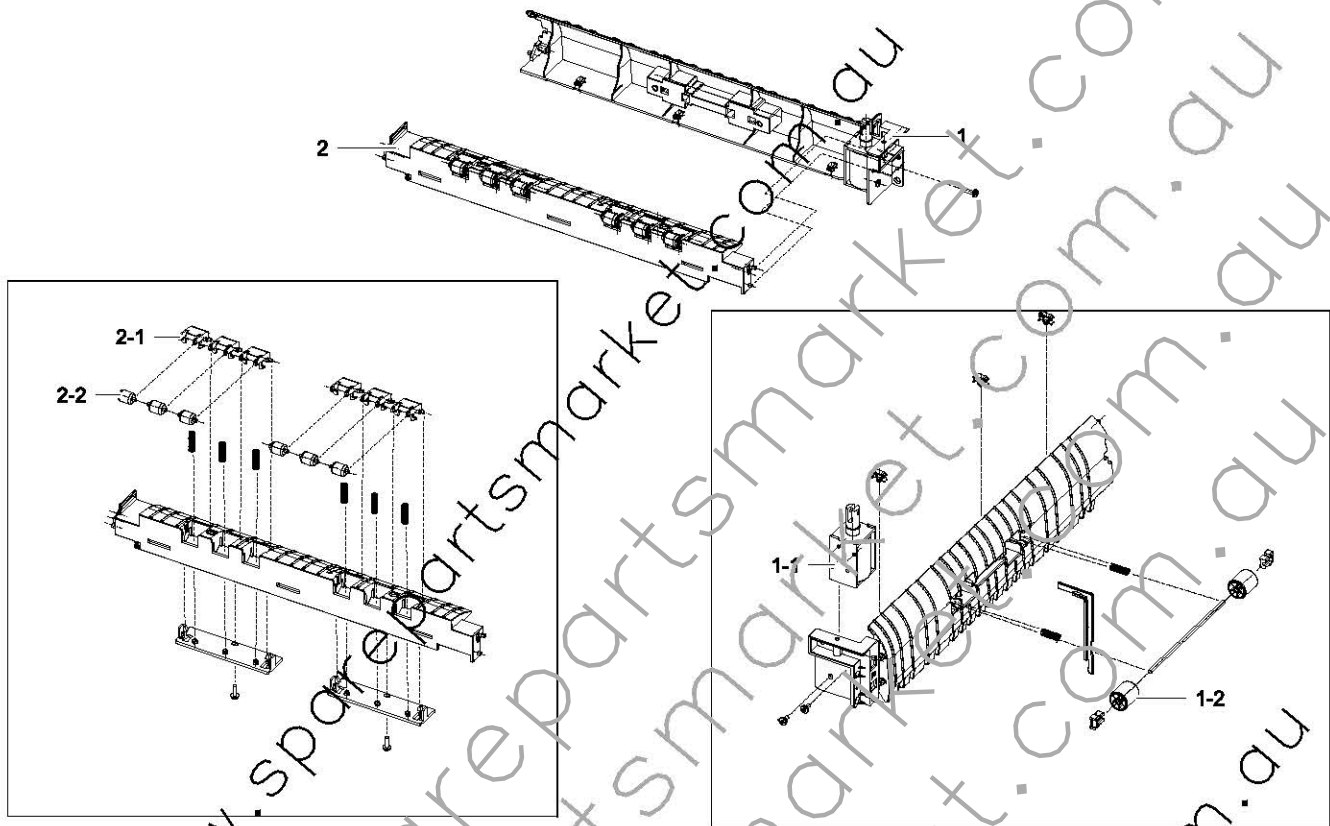


Parts List

No.	Lvl.	Loc.	Material Code	Description & Specification	SNA	Qty.
1	5		JC66-03092A	ROLLER-EXIT; CLX-9201,EPDM	SA	1
2	5		JC66-03183A	ROLLER-FACE DOWN EXIT; CLX-9201,EPDM	SA	1
3	5	E9322	0604-001393	PHOTO-INTERRUPTER; TR,75mm,W,BGA,TR	SA	1
4	5		JC66-02533A	ACTUATOR-EXIT; SCX-8049,PC HN-1064I,57.2,	SA	1
5	5		6107-002237	SPRING-TS; SUS304 P16.26,ID4.24,OD4.76	SA	1

2.2. EXIT-GUIDE 2ND LOWER

Exploded View

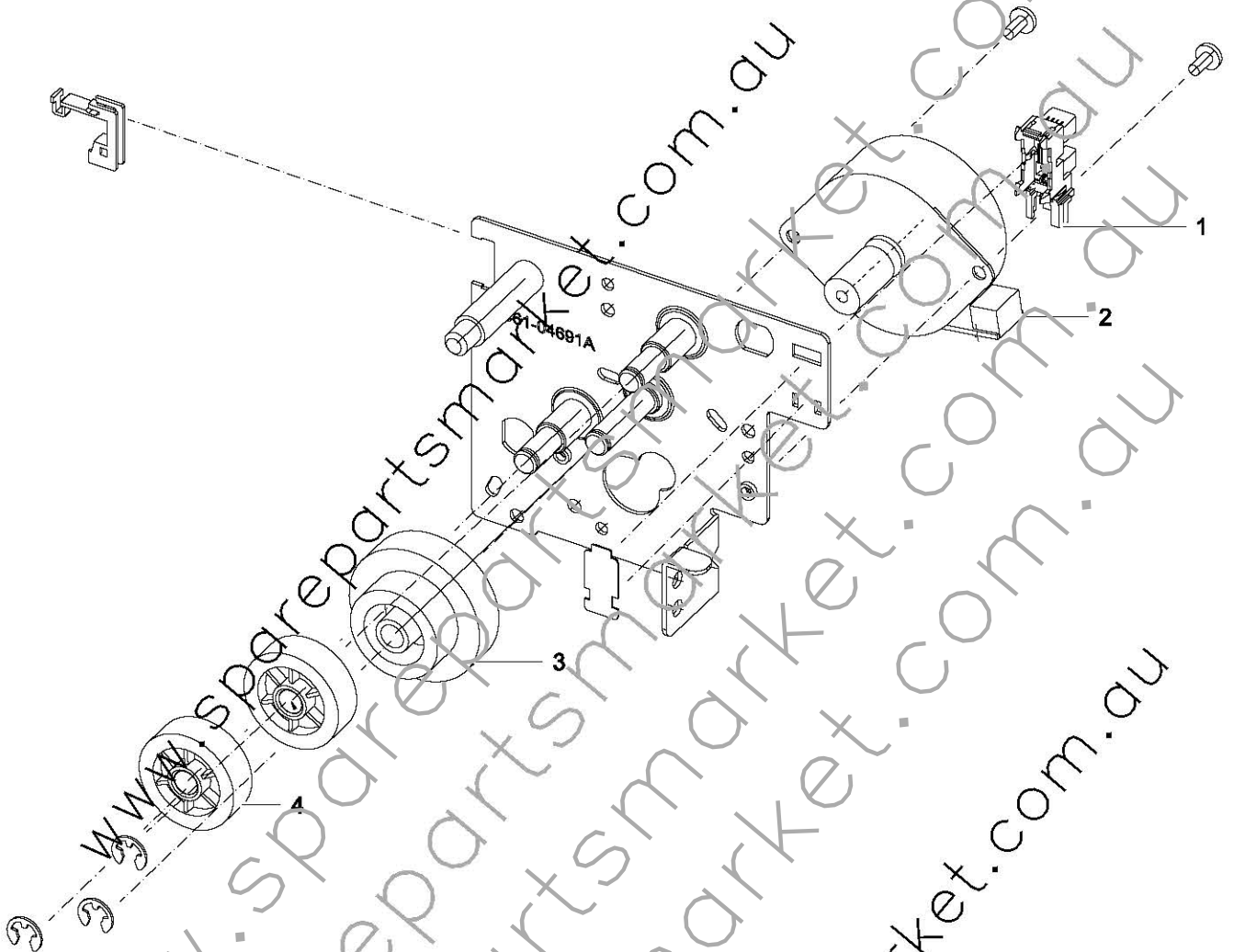


Parts List

No.	Lvl.	Loc.	Material Code	Description & Specification	SNA	Qty.
1	5		JC90-0137A	EXIT-GUIDE 2ND RIGHT; CLX-9201	SNA	1
1-1	6		JC31-00031B	SOLENOID-LIFTING; CLX-9350,24,80ohm,-10°C	SA	1
1-2	6		JC66-02289B	ROLLER-IDLE; SCX-8040ND,POM,SW-01	SNA	2
2	5		JC90-01136A	EXIT-GUIDE 2ND LEFT; CLX-9201	SNA	1
2-1	6		JC61-04898A	HOLDER-ROLLER EXIT IDLE; CLX-9201,POM,16,	SNA	6
2-2	6		JC61-04806A	ROLLER-EXIT IDLE; CLX-9201,POM	SNA	6

2.3. EXIT-BRACKET 2ND

Exploded View



Parts List

No.	Lvl.	Loc.	Material Code	Description & Specification	SNA	Qty.
1	5	E9322	0604-001393	PHOTO-INTERRUPTER; TR,75mW,BGA,TR	SA	1
2	5		JC93-00802A	DRIVE-MOTOR STEP; CLX-9201NA,SEC	SA	1
3	5		JC66-03291A	GEAR-DUPLEX UPPER; CLX-9201,POM,0.8,41,NA	SNA	1
4	5		JC66-03290A	GEAR IDLE DUPLEX; CLX-9201,POM,1,23,NATUR	SNA	2