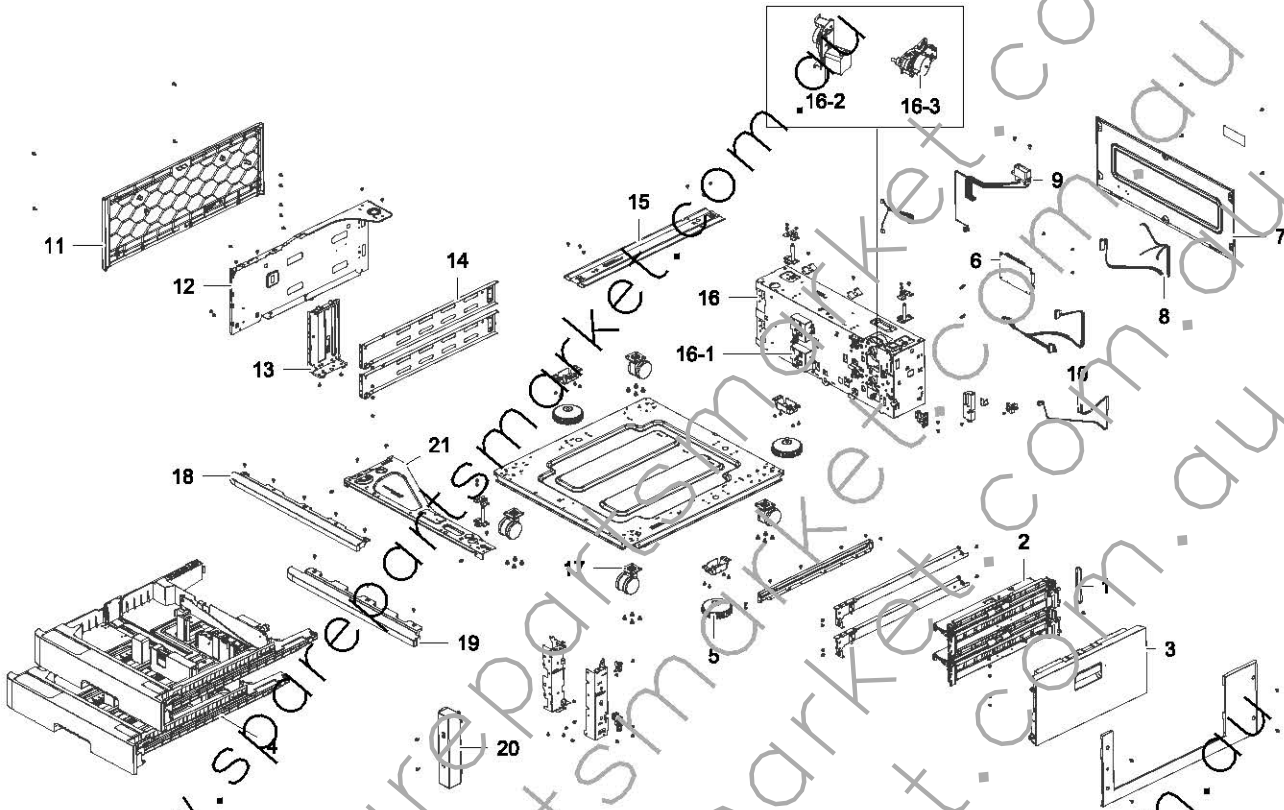


# 1. DCF MAIN

## Exploded View



## Parts List

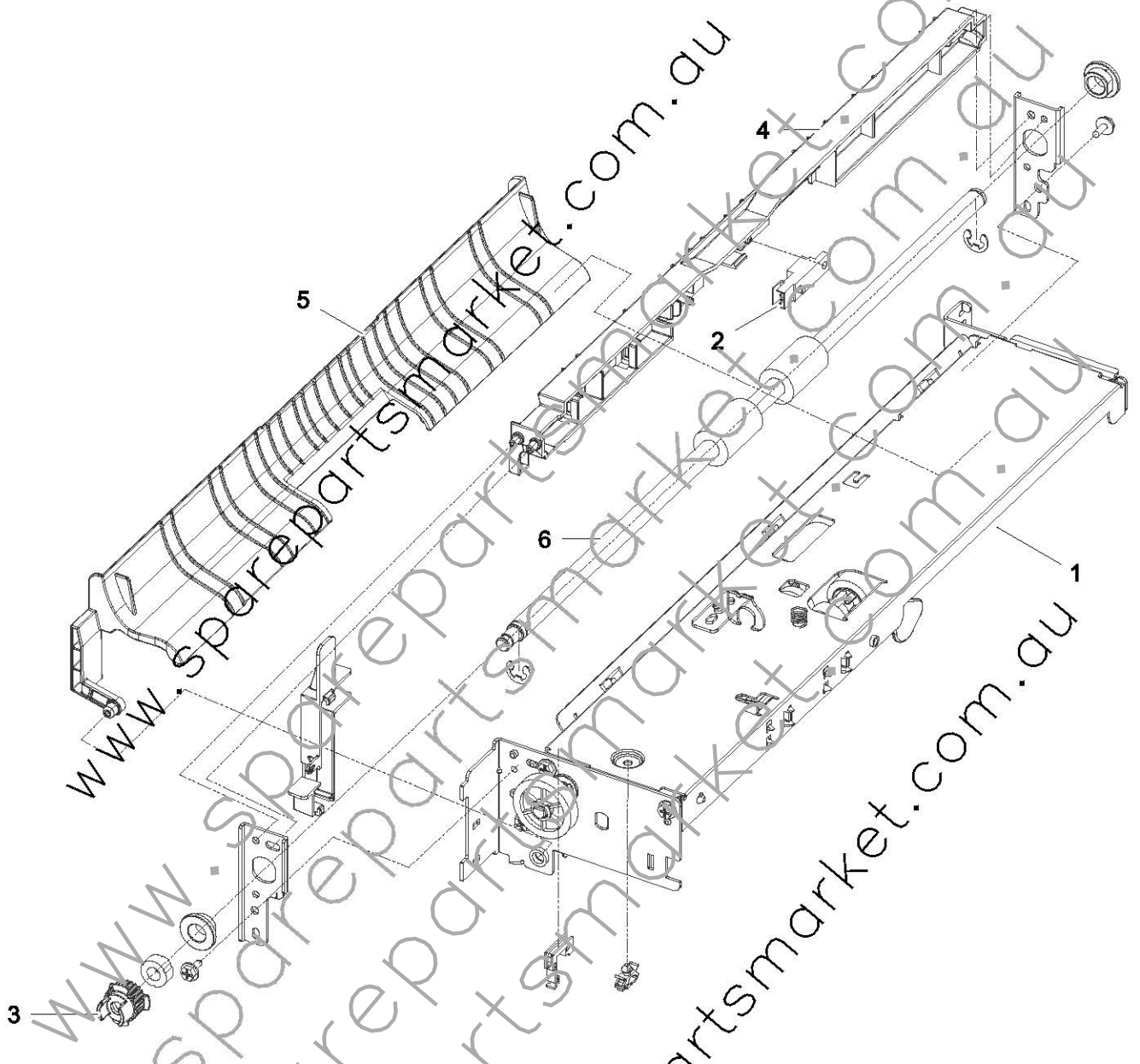
No.	Parent	Lvl.	Loc.	Material Code	Description & Specification	SNA	Qty.
1	JC90-01123A	2		6602-003185	BELT-TIMING GEAR; 40S2M230,RUBBER,W4.0,L2	SNA	1
2	JC90-01123A	2		JC93-00513A	FRAME MAIN-PICKUP DCF; CLX-9201,SEC	SNA	2
3	JC90-01123A	2		JC90-01121A	DCF-TAKEAWAY; CLX-9201,SEC	SNA	1
4	JC90-01123A	2		JC90-01141A	CASSETTE-2ND; CLX-9201,SEC	SA	2
5	JC90-01123A	2		JC61-04871A	GUIDE-ADJUST DCF; CLX-PFP100,ABS,80,HB HF	SNA	3
6	JC90-01123A	2		JC92-02453A	PBA-DCF; CLX-9201,SEC,FR-4,2 Layer	SNA	1
7	JC90-01123A	2		JC61-04868A	BRACKET-REAR COVER; CLX-PFP100,SECC,T0.8,	SNA	1
8	JC90-01123A	2		JC39-01691A	HARNESS-DCF MOT; SCX-8123ND,UL10272,16,GR	SNA	1
9	JC90-01123A	2		JC39-01690A	HARNESS-DCF IF; SCX-8123ND,UL1617,475mm/3	SNA	1
10	JC90-01123A	2		JC39-01696A	HARNESS-DCF COVER OPEN; SCX-8123ND,UL1061	SNA	1
11	JC90-01123A	2		JC63-03324A	COVER-LEFT DCF; CLX-PFP100,HIPS,215,568,S	SNA	1

## Exploded Views and Parts List

No.	Parent	Lvl.	Loc.	Material Code	Description & Specification	SNA	Qty.
12	JC90-01123A	2		JC61-04667A	PLATE-LEFT DCF; CLX-PFP100,EGI-SECC,T1.0,	SNA	1
13	JC90-01123A	2		JC61-04668A	PLATE-SUP LEFT DCF; CLX-PFP100,EGI-SECC,T	SNA	1
14	JC90-01123A	2		JC93-00477A	FRAME MAIN-LEFT CST RAIL; CLX-9201,SEC,WO	SNA	2
15	JC90-01123A	2		JC61-04658A	PLATE-BEAM MIDDLE DCF; CLX-PFP100,EGI-SEC	SNA	1
16	JC90-01123A	2		JC90-01120A	DCF-FRAME REAR; CLX-9201,SEC	SNA	1
16-1	JC90-01120A	3		JC93-00018A	FRAME MAIN-REAR HOLDER AUTOSIZE; CLX-9350	SA	2
16-2	JC90-01120A	3		JC93-00447A	DRIVE-FEED DCF; CLX-9201NA,SEC	SNA	1
16-3	JC90-01120A	3		JC93-00442A	DRIVE-PICKUP; CLX-9201NA,SEC	SA	2
17	JC90-01123A	2		0109-001138	CASTER; 45,NYLON	SNA	4
18	JC90-01123A	2		JC63-03323A	COVER-DUMMY UPPER DCF; CLX-PFP100,HIPS,54	SNA	1
19	JC90-01123A	2		JC63-03328A	COVER-DUMMY LOWER DCF; CLX-PFP100,HIPS,57	SNA	1
20	JC90-01123A	2		JC63-03326A	COVER-RIGHT FRONT DCF; CLX-PFP100,HIPS,65	SNA	1
21	JC90-01123A	2		JC61-04657A	PLATE-BEAM FRONT TOP DCF; CLX-PFP100,EGI-	SNA	1

1.1. FRAME MAN-PICKUP DCF

Exploded View



Parts List

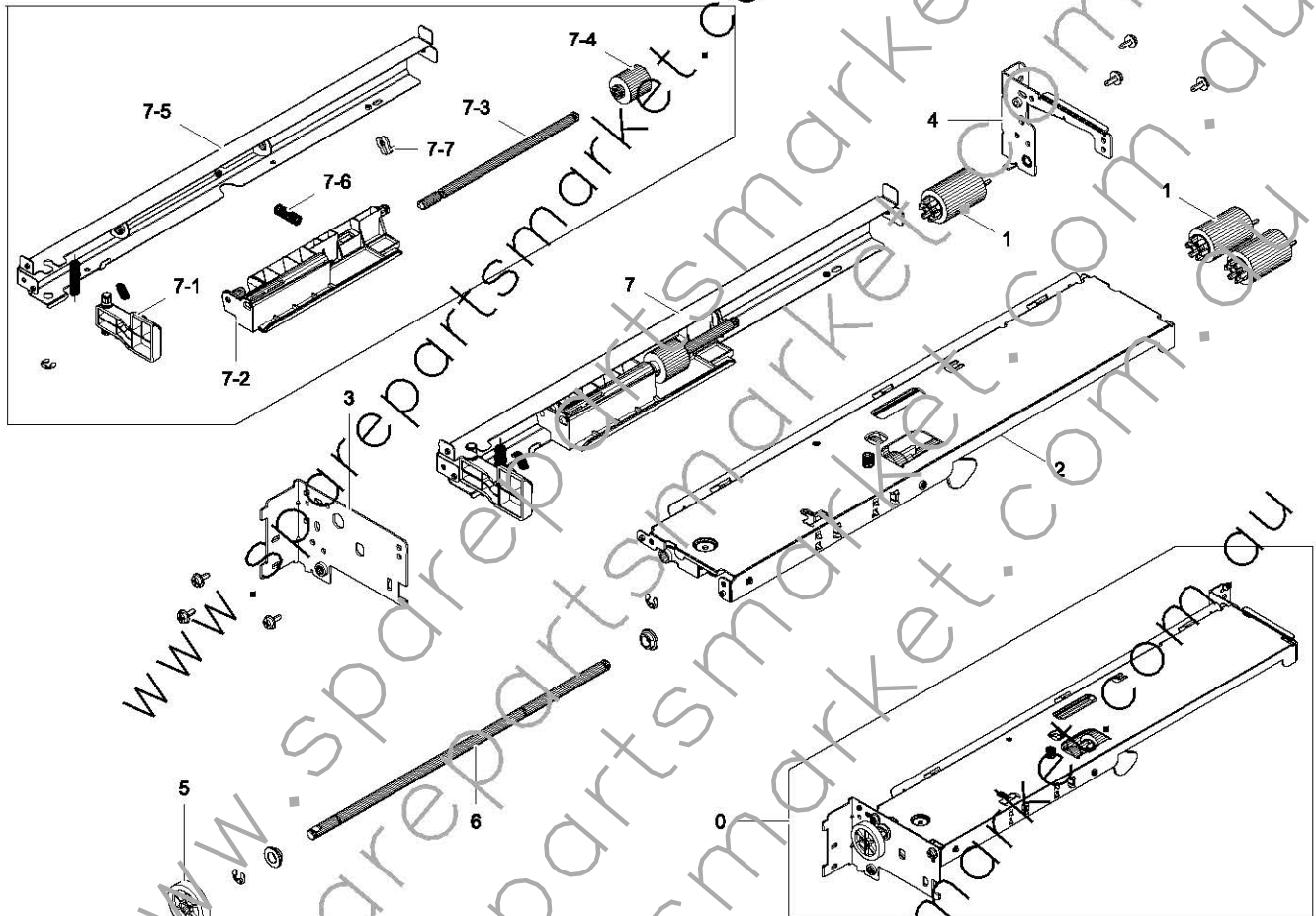
No.	Parent	Lvl.	Loc.	Material Code	Description & Specification	SNA	Qty.
1	JC93-00513A	3		JC93-00510A	FRAME MAIN-PICKUP; CLX-9201,SEC	SNA	2
2	JC93-00513A	3		0604-001381	PHOTO-INTERRUPTER; DIODE,DIP	SA	2
3	JC93-00513A	3		JC66-03288A	PULLEY-FEED DCF; CLX-9201,POM,15.41,M90-4	SA	2
4	JC93-00513A	3		JC61-04734A	GUIDE-PICKUP DCF; CLX-9201,ABS,15,323,32,	SNA	2
5	JC93-00513A	3		JC61-04717A	GUIDE-PICKUP 2ND; CLX-9201,ABS,327,43,HF-	SNA	2

## Exploded Views and Parts List

No.	Parent	Lvl.	Loc.	Material Code	Description & Specification	SNA	Qty.
6	JC93-00513A	3		JC66-03287A	ROLLER-FEED DCF; CLX-9201,EPDM+SUS,16,412	SA	2

### 1.1.1. FRAME MAIN-PICK UP

#### Exploded View



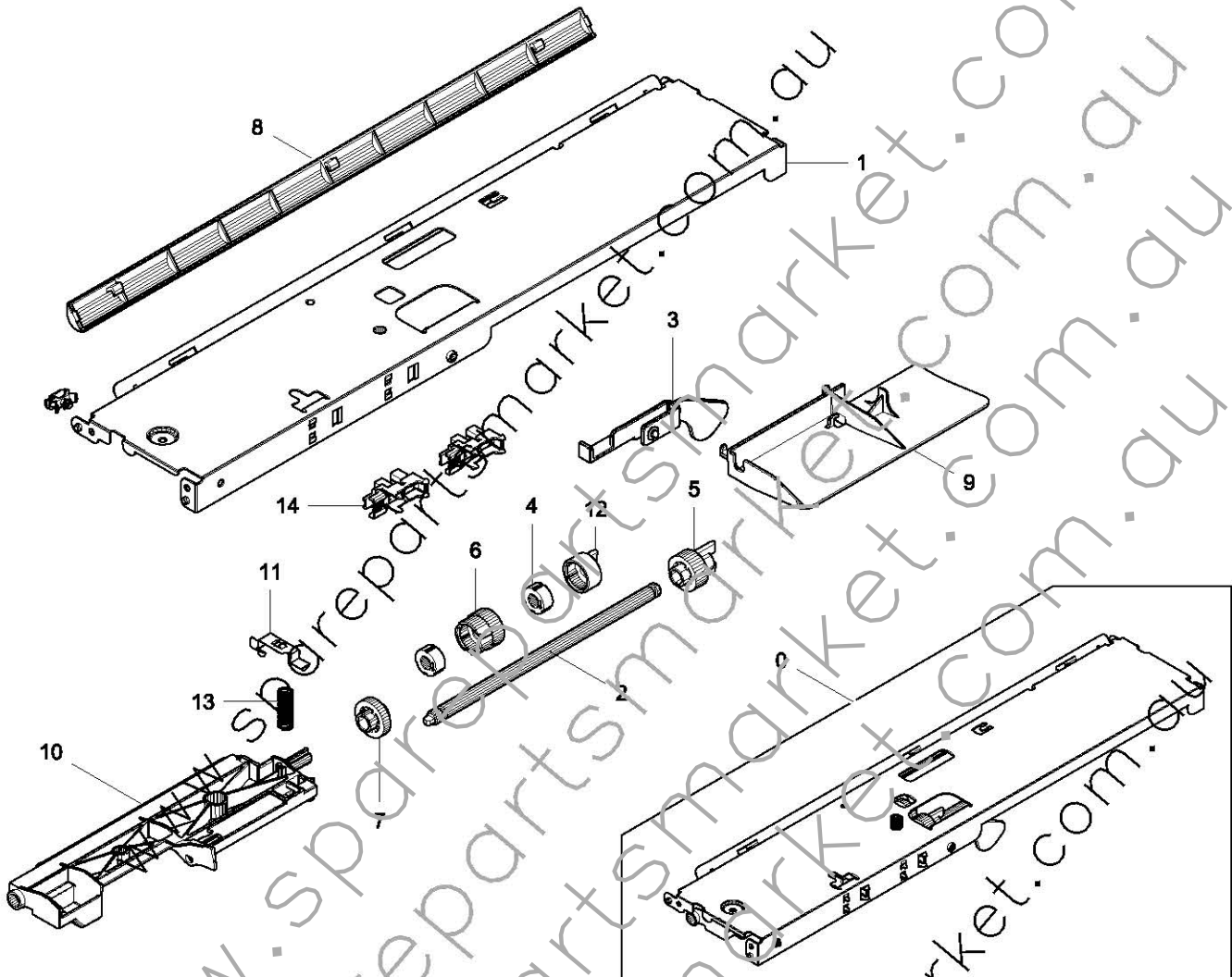
#### Parts List

No.	Parent	Lvl.	Loc.	Material Code	Description & Specification	SNA	Qty.
0	JC93-00513A	3		JC93-00510A	FRAME MAIN-PICKUP; CLX-9201,SEC	SNA	2
1	JC93-00510A	4		JC93-00540A	FRAME-MAIN PICK UP ROLLER; CLX-9201	SA	6
2	JC93-00510A	4		JC93-00500A	FRAME MAIN-PICKUP UPPER; CLX-9201,SEC	SNA	2
3	JC93-00510A	4		JC61-04731A	BRACKET-PICKUP REAR; CLX-9201,SECC,1.2T,8	SNA	2
4	JC93-00510A	4		JC61-04730A	BRACKET-PICKUP FRONT; CLX-9201,SECC,1.2T,	SNA	2

No.	Parent	Lvl.	Loc.	Material Code	Description & Specification	SNA	Qty.
5	JC93-00510A	4		JC66-03281A	GEAR-PICKUP; CLX-9201,POM,0.8,27,WHITE,DE	SNA	2
6	JC93-00510A	4		JC66-03304A	SHAFT-FORWARD; CLX-9201,SUS303,225.3,6,ST	SNA	2
7	JC93-00510A	4		JC93-00503A	FRAME MAIN-PICKUP LOWER; CLX-9201,SEC	SNA	2
7-1	JC93-00503A	5		JC66-03200A	LEVER-INPUT CST; CLX-9201,POM,9,48,28.7,M	SNA	2
7-2	JC93-00503A	5		JC61-04732A	HOLDER-RETARD; CLX-9201,POM,23,97,24,BLAC	SNA	2
7-3	JC93-00503A	5		JC66-03283A	SHAFT-RETARD; CLX-9201,SUM 23,91.5,6,STEE	SNA	2
7-4	JC93-00503A	5		JC67-00455A	COUPLER-TORQUELIMITER; CLX-9350,WHITE,350	SNA	2
7-5	JC93-00503A	5		JC93-00438A	FRAME MAIN-PICKUP BRKT LOWER; CLX-9201,SE	SNA	2
7-6	JC93-00503A	5		6107-003049	SPRING-CS; SWP B,0.5,26,7.5,FREE,CLOSED E	SNA	2
7-7	JC93-00503A		I4806	JC61-01367A	FIXER-M E RING 4PI; SCX-6345N/XRX,POM,T1.	SA	2

## 1.1.1.1. FRAME MAIN PICKUP UPPER

### Exploded View



### Parts List

No.	Parent	Lvl.	Lcc.	Material Code	Description & Specification	SNA	Qty.
0	JC93-00510A	4		JC93-00504A	FRAME MAIN-PICKUP UPPER; CLX-9201,SEC	SNA	2
1	JC93-00504A	5		JC93-00437A	FRAME MAIN-PICKUP BRKT UPPER; CLX-9201,SE	SNA	2
2	JC93-00504A	5		JC66-03284A	SHAFT-PICKUP; CLX-9201,SUS303,129,6,STEEL	SNA	2
3	JC93-00504A	5		JC66-03199A	ACTUATOR-EMPTY PICKUP; CLX-9201,POM,22,73	SA	2
4	JC93-00504A	5	H3704	JC66-00977A	CLUTCH-P_ONE WAY; SCX-6345N/XRX,OWC612GXR	SA	4
5	JC93-00504A	5	I5681	JC66-00943A	GEAR-M_PU JOINT; SCX-6345N/XRX,POM,0.7,21	SA	2

No.	Parent	Lvl.	Loc.	Material Code	Description & Specification	SNA	Qty.
6	JC93-00504A	5	I5669	JC66-00941A	GEAR-M ONE WAY; SCX-6345N/XRX,POM,0.7,21,	SA	2
7	JC93-00504A	5	I5652	JC66-00940A	GEAR-M IDLE PU; SCX-6345N/XRX,POM,0.7,22,	SA	2
8	JC93-00504A	5		JC61-04736A	GUIDE-PICKUP UPPER; CLX-9201,ABS,15,305,2	SNA	2
9	JC93-00504A	5		JC61-04722A	GUIDE-SLIDE PICKUP; CLX-9201,POM,120,46,M	SNA	2
10	JC93-00504A	5		JC61-04716A	GUIDE-SUPPORT PICKUP; CLX-9201,POM,153,43	SNA	2
11	JC93-00504A	5		JC61-04670A	BRACKET-GRN PICKUP; CLX-PFP100,SUS304,0,2	SNA	2
12	JC93-00504A	5	I7155	JC61-01288A	HOLDER-M IDLE ONE WAY; SCX-6345N/XRX,POM,	SA	2
13	JC93-00504A	5		6107-003046	SPRING-CS; SUS304,0.65,17,6.45,RIGHT HAND	SNA	2
14	JC93-00504A	5	I8322	0604-001393	PHOTO-INTERRUPTER; TR,75mW,BGA,TK	SA	4