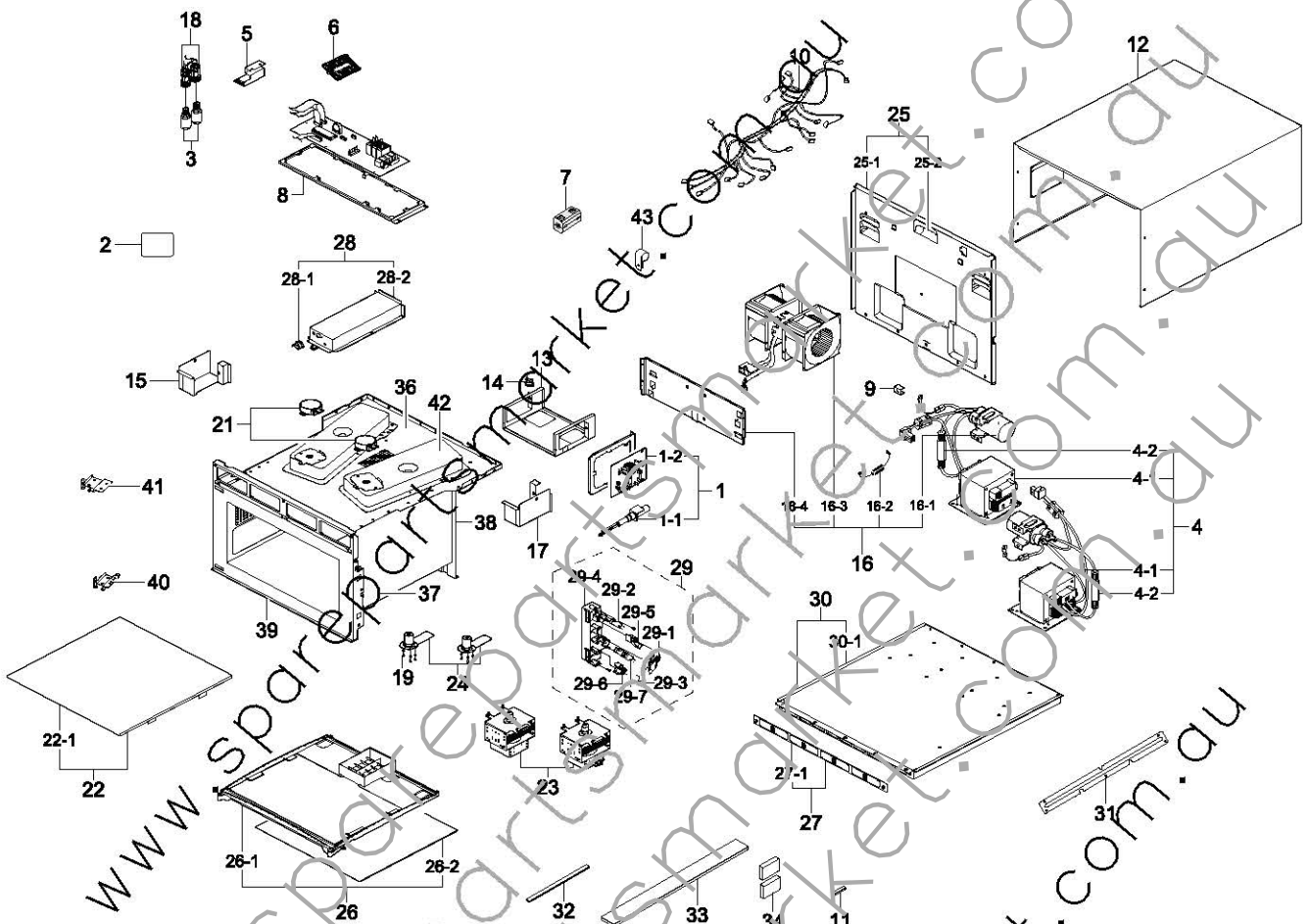


1. Main

Exploded View



Parts List

No.	Lvl.	Loc.	Material Code	Description & Specification	SNA	Qty.
1	1		DE94-03068B	ASSY HOLDER; CM-1819	SA	1
1-1	2	M015	DE96-00356G	ASSY POWER CORD; SAA(S),Straight,AUSTRALI	SNA	1
1-2	2	M017	DE96-00734A	ASSY NOISE FILTER; CM1929,SN,CM1929,250V	SNA	1
2	2	M066	DE01-00095A	FILM-LAMP; PET,PET,84,T0.15,114,CM-1819,H	SNA	1
3	2	M036	4713-000168	LAMP-INCANDESCENT; 230V,25W,ORG	SA	2
4	1		DE96-00964A	ASSY POWER PACK; CM1519-1/XEU,0.9 CU.FT	SNA	1
4-1	2	M038	DE26-00058B	TRANS H.V; SHV-906EG2,240V,50Hz,2460V/3.4	SA	2
4-2	2	M042	DE91-70061A	ASSY H.V.FUSE; -,THV060T-0800-H,5KV/0.80A	SA	2
5	2	U003	DE61-90318A	HOLDER LAMP; W134,EGI-SECC,T0.8,-,L40.5	SA	1
6	2	M129	DE92-90533A	ASSY-LAMP HOLDER; CM1819/CM1829,-,-	SA	1
7	2	M052	DE73-90027A	CORE-FERRITE; T13.8,NI-ZN,BNF-14(K150),L2	SA	2
8	2	R066	DE61-50520A	BRACKET-PCB; EGI-SECC,T0.8,CM-1819	SA	1

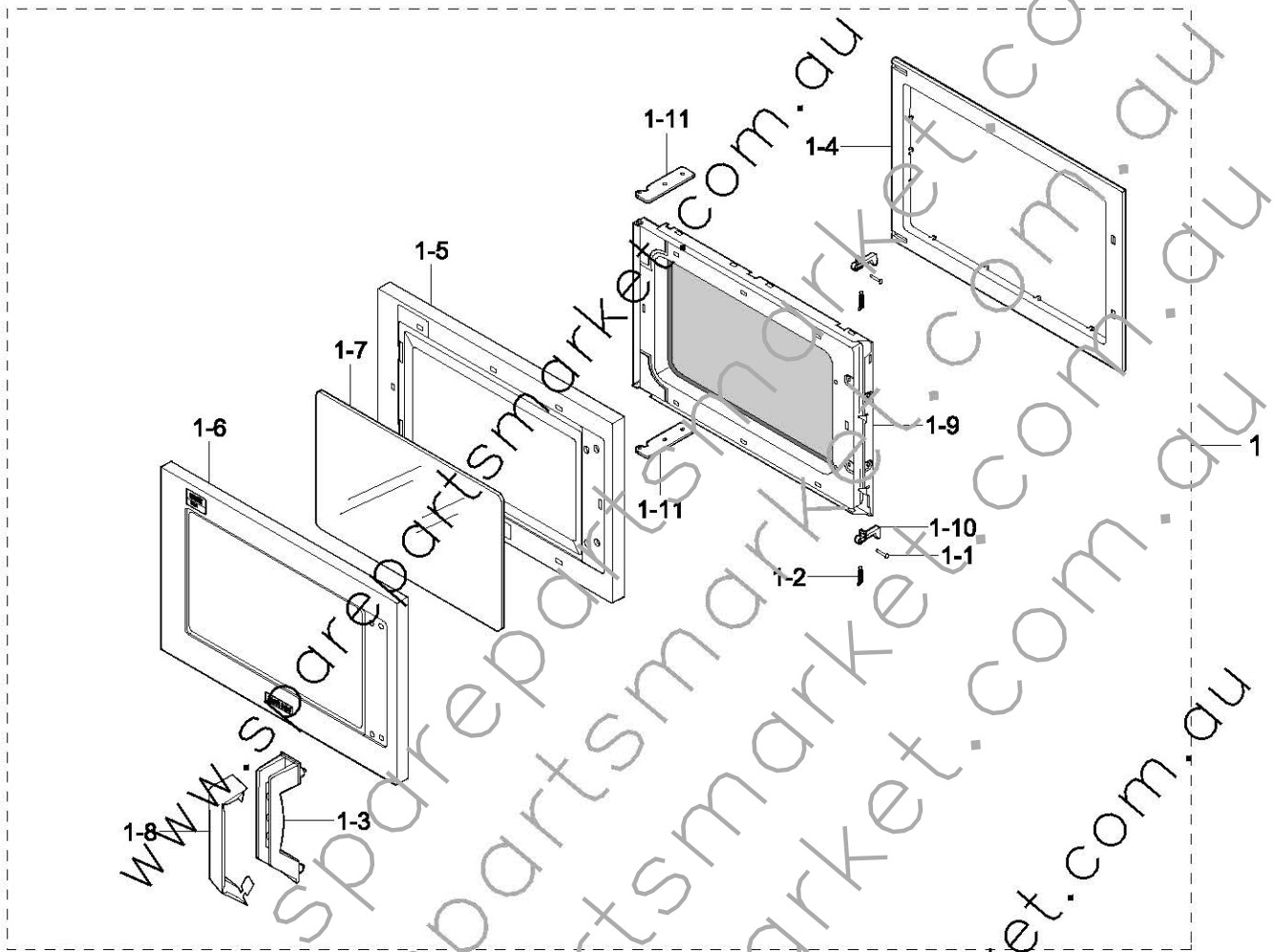
Exploded Views and Parts List

No.	Lvl.	Loc.	Material Code	Description & Specification	SNA	Qty.
9	2	M011	DE61-50541A	BRACKET-EARTH; EGI-SECC,T1.0,W15,L8	SNA	1
10	1	W002	DE96-00503A	ASSY WIRE HARNESS-A; CM1929,230V/50HZ,VI	SA	1
11	2	M126	DE63-90064B	CUSHION; PU FOAM,15X10X50	SNA	1
12	1	M001	DE70-30123A	PANEL-OUTER; STAINLESS-ST5430,T0.6,CM-181	SA	1
13	2	P046	DE72-50088A	DUCT FAN; CM-1819,ALCOT,T0.5	SA	1
14	2	M029	DE47-20017A	THERMOSTAT; NT-101,125/250V,1505,6015	SA	1
15	2	P047	DE72-50090A	DUCT-MGT/L; CM-1819,EGI-SECC,T0.5	SA	1
16	1	B022	DE93-20097E	ASSY BODY LATCH; CM1819/1829,EUROPE	SA	1
16-1	3	M039	2501-001284	(C-OIL; 1.10uF,2100V(CLASS P),AL CAN TYPE,	SA	2
16-2	3	M527	DE59-00002A	DIODE-H.V; MWO ALL,2CL,4512H,-,450mA 13KV,	SA	2
16-3	3	M024	DE31-10180A	MOTOR AC VENTILATION; SMV-1829EA,2,240V,5	SNA	1
16-4	2	M020	DE91-50093T	ASSY MOTOR FAN; CM1919/1929,-,240V,-,COMM	SA	1
17	2	P048	DE72-50089A	DUCT-MGT/R; CM-1819,EGI-SECC,T0.5	SA	1
18	2	M102	DE47-40029A	SOCKET-LAMP; 250V2A,-,22.23,E14,-,-,-	SA	2
19	2	M078	DE69-90054A	CLIP-STIRRER; 5mm,TEFLON-PFA,CM1819/29	SA	6
21	2	M049	DE31-10164B	MOTOR AC DRIVE M2CK34A709-H(B),8,120V,60	SA	2
22	1		DE94-02838A	ASSY ACCESSORY PARTS, CM1519-1/XEU,0.9 CU	SA	1
22-1	2	T002	DE97-00319B	ASSY TRAY CERAMIC; CM1929A/XEU,MWO-COMMER	SA	1
23	2	M035	OM75P-20-ESRN	MGT; MGT		2
24	2	P001	DE92-90315A	ASSY STIRRER; CM-1819/CM-1829,-	SA	2
25	2	P074	DE92-90514A	ASSY-BACK COVER; CM-1819,-,CM-1829,	SA	1
25-1	3	P186	DE71-60421A	COVER-BACK; EGI-SECC,T0.6,W481.8X363.9,C	SA	1
25-2	3	P026	DE72-50087A	DUCT-EXHAUST; ALCOT,T0.6	SA	3
26	2	C165	DE97-00562A	ASSY COVER PANEL; CM1019,PP+SGL,-,-	SA	1
26-1	3	M087	DE63-00315A	COVER-STIRRER; CM1019,PP,NATURAL	SA	1
26-2	3	M051	DE63-00324A	COVER-CEILING; CM1019,MICA SHEET,T1.8,W23	SA	1
27	2	M425	DE92-90516B	ASSY BRACKET-FILTER; CM1819,-,-,-	SA	1
27-1	3	P003	DE61-50521B	BRACKET-FILTER; CM1819,STAINLESS-ST5430,T	SNA	1
28	2	P267	DE92-90519A	ASSY DUCT-AIR; CM1819/29,-,-,CM1819/29	SA	1
28-1	3	M029	DE47-20169A	THERMOSTAT; NT-101,125/250V,1005,6015	SA	1
28-2	3	P019	DE72-50091A	DUCT-OVEN; CM-1819,STAINLESS-ST5430,T0.4,	SNA	1
29	1	B022	DE93-20097E	ASSY BODY LATCH; CM1819/1829,EUROPE	SA	1

No.	Lvl.	Loc.	Material Code	Description & Specification	SNA	Qty.
29-1	2	S0021	3405-001055	SWITCH-MICRO; 125/250VAC,16A,200GF,SPST-N	SC	2
29-2	2	B048	3405-001034	SWITCH-MICRO; 125/250VAC,16A,200gf,SPST-N	SNA	1
29-3	2	B005	DE61-00066A	SPRING-Q; CM1819/1829,MSWR-SWRM,PI0.8	SNA	1
29-4	2	B077	DE66-40062A	LATCH-BODY; CM-1819,PBT,-,-,-,-	SA	1
29-5	2	B012	DE66-90107A	LEVER-SWITCH(U); -,PBT,CM-1819,-,-,-,-	SA	1
29-6	2	B013	DE66-90108A	LEVER-SWITCH(L); -,PBT,CM-1819,-,-,-,-	SA	1
29-7	2	B046	3405-001032	SWITCH-MICRO; 125/250VAC,16A,200GF,SPDT	SNA	2
30	2	M155	DE93-10106C	ASSY BASE PLATE; CM1819,SECC,-,-	SA	1
30-1	3	M048	DE80-10113C	BASE-PLATE; CM1819,EGI-SECC,T1.0	SNA	1
31	2	P073	DE61-50538A	BRACKET-PLATE; EGI-SECC,T1.0	SA	1
32	2	P021	DE63-00008K	CUSHION-SPONGE; PU FOAM,PUR-FOAM,T2,W3,L4	SNA	1
33	2	P021	DE63-00009T	CUSHION-SPONGE; PU FOAM,T50,W8,L530,BLK	SNA	1
34	2	M056	DE63-90062C	CUSHION-HVT; NEOPRENE RUBBER,T18,W30,L50	SNA	2
36	2	Z780	DE71-20261A	CAVITY-UPPER; STAINLESS-ST5430,T0.5,W467,	SNA	1
37	2	M213	DE71-20260A	CAVITY-MAIN; STAINLESS-ST5430,T0.5,W394,L	SNA	1
38	2	M213	DE71-20260A	CAVITY-MAIN; STAINLESS-ST5430,T0.5,W394,L	SNA	1
39			DE94-01333A	ASSY CAVITY FRONT; COMMERCIAL,1,-,-,-	SNA	1
40	2	Z122	DE61-50513B	BRACKET-HINGE(U); EGI-SECC,T1.0	SNA	1
41	2	Z035	DE61-50514B	BRACKET-HINGE(L); EGI-SECC,T1.0,CM-1819	SNA	1
42	2	M515	DE92-90507A	ASSY WAVE GUIDE; CM-1819,-,-	SNA	2
43	2	M058	6502-001056	CABLE CLAMP; DAWH-2NC,ID18.5,NYLON#6,NTR	SNA	2

1.1. Assy Door

Exploded View



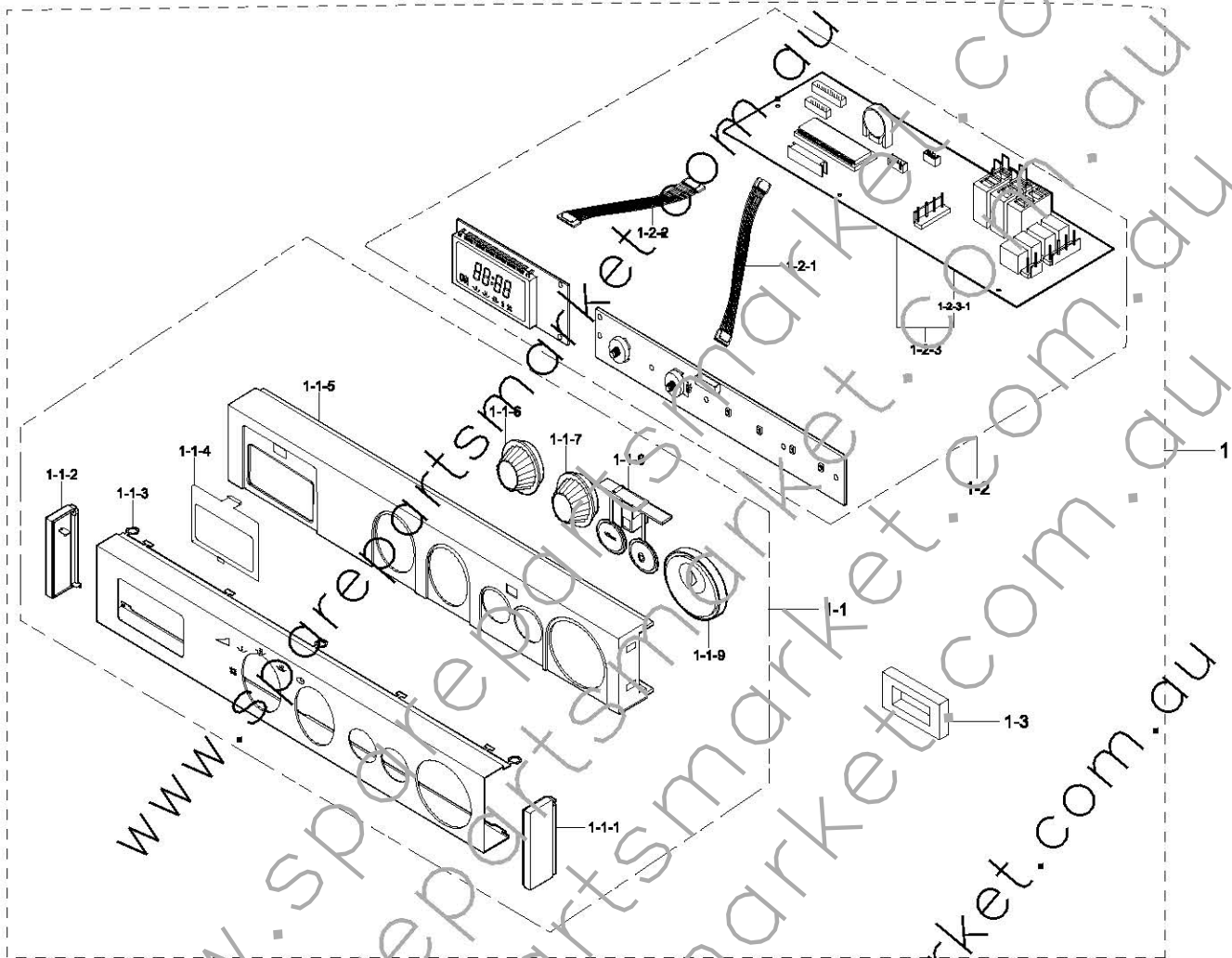
Parts List

No.	Lvl.	Loc.	Material Code	Description & Specification	SNA	Qty.
1	1	D049	DE94-01286C	ASSY DOOR; CM1919,STS,-,1900W	SA	1
1-1	2	D018	DE60-60080A	PIN-KEY; STAINLESS-STS304,L21	SA	2
1-2	2	D007	DE61-70144A	SPRING-KEY; HSWR-SWRH,L1.0,OD6.5,L32.8,2	SNA	2
1-3	2	D019	DE64-20123A	HANDLE; CM-1819,ZN,-,-,-,CM-1819,-	SNA	1
1-4	2	D006	DE64-40298A	DOOR-C; ,PP,-,-,-,-,-	SNA	1
1-5	2	D021	DE64-90145A	DECORATION DOOR; CM-1819,ABS,-,GE RACK,K	SNA	1
1-6	2	D022	DE64-90146A	DECORATION COVER DOOR; STAINLESS-STS430,C	SNA	1
1-7	2	D024	DE67-20174M	SCREEN-DOOR(B); CM1919,GLASS,3.2,198.5,36	SNA	1
1-8	2	D025	DE71-60433A	COVER-HANDLE; STAINLESS-STS430,T0.5,CM-18	SNA	1

No.	Lvl.	Loc.	Material Code	Description & Specification	SNA	Qty.
1-9	2	D004	DE92-50132B	ASSY DOOR E; CM-1819,-,BLK,COATING	SNA	1
1-10	2	D011	DE64-40296B	DOOR-KEY; CMO COMMERCIAL,CR3C + ZINC DIEC	SA	2
1-11	2	D008	DE61-80138A	HINGE; EGI-SECC T30,W24.5,L29.5	SA	2

1.2. Assy Control

Exploded View



Parts List

No.	Uyl.	Loc.	Material Code	Description & Specification	SNA	Qty.
1	1	C082	DE94-02181A	ASSY CONTROL BOX; CM1919,230V50HZ, BLACK,S	SNA	1
1-1	2	C001	DE93-30528K	ASSY CONTROL PANEL; CM1919,BLACK,STS,ABS,	SA	1
1-1-1	3	C023	DE71-60429B	COVER PANEL(L/R); CM1019,ABS,-,-,-,-,-,-,-,-	SA	1
1-1-2	3	C022	DE71-60428B	COVER PANEL(L/L); CM1019,ABS,-,-,-,-,-,-,-,-	SA	1
1-1-3	3	C021	DE71-60427A	COVER PANEL; STAINLESS-STS430,T0.5,-,-	SA	1
1-1-4	3	C009	DE67-40161B	WINDOW-DISPLAY; CM1929,PMMA,SMOG	SA	1
1-1-5	3	C020	DE70-30126A	PANEL BASE; ABS,-,CM-1819,HB,HG-0760SR,DA	SNA	1
1-1-6	3	C027	DE64-10143A	KNOB-POWER; ABS,Ni,Cr-plating	SA	1
1-1-7	3	C031	DE64-10144A	KNOB-TIMER; ABS,Ni,Cr-plating	SA	1

No.	Lvl.	Loc.	Material Code	Description & Specification	SNA	Qty.
1-1-8	3	C010	DE66-20211D	BUTTON-SELECT; CM1519-1/XEU,ABS	SA	1
1-1-9	3	C019	DE66-20212D	BUTTON-START; CM1529-1/XEU,ABS,0.9 CU.FT	SA	1
1-2	2	F316	DE92-03495A	ASSY PCB MAIN; EUP / RCS-SMS2CM-00,CM1919	SA	1
1-2-1	3	C033	DE39-40694A	WIRE HARNESS-C; 9PIN,-,-,-,-,-,-,-,-,-	SA	1
1-2-2	3		DE39-40692A	WIRE HARNESS-B; 11PIN,-,-,-,CM1819/29,-,-,-	SA	1
1-2-3	3	Y066	DE92-02173A	ASSY PCB SUB; SMS2CM SUB ECD,GM1919/XEU,N	SNA	1
1-2-3-1	4	Y046	DE34-00040A	SWITCH-ENCODER; -,28VDC,10mA,8-STEP,-,JES	SNA	1
1-3	2	C058	DE63-00634A	CUSHION-PCB, HEAVY-COMMERCIAL MWO,PU FOAM	SNA	1