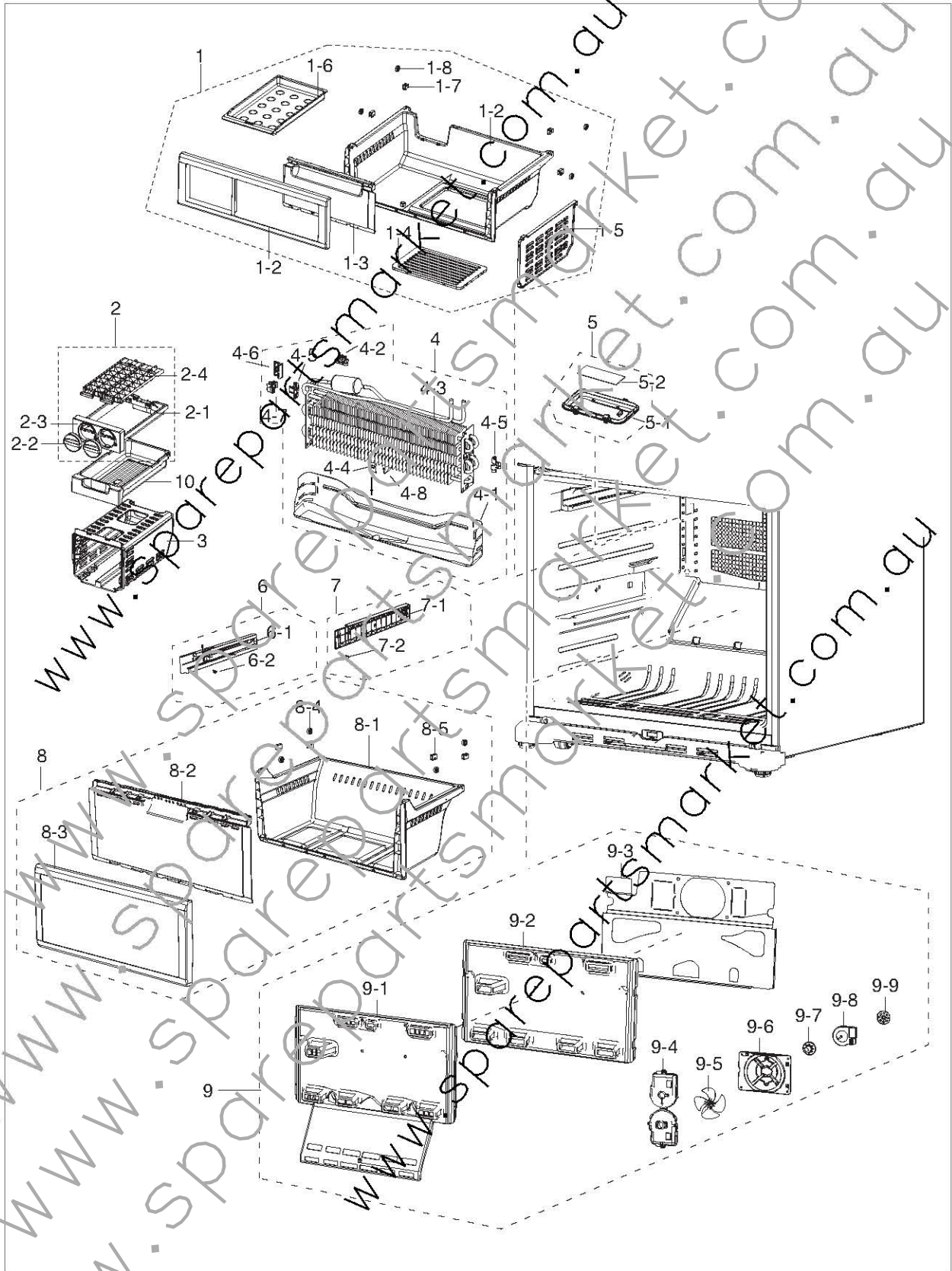


5. EXPLODED VIEW & PARTS LIST

5-1) Freezer

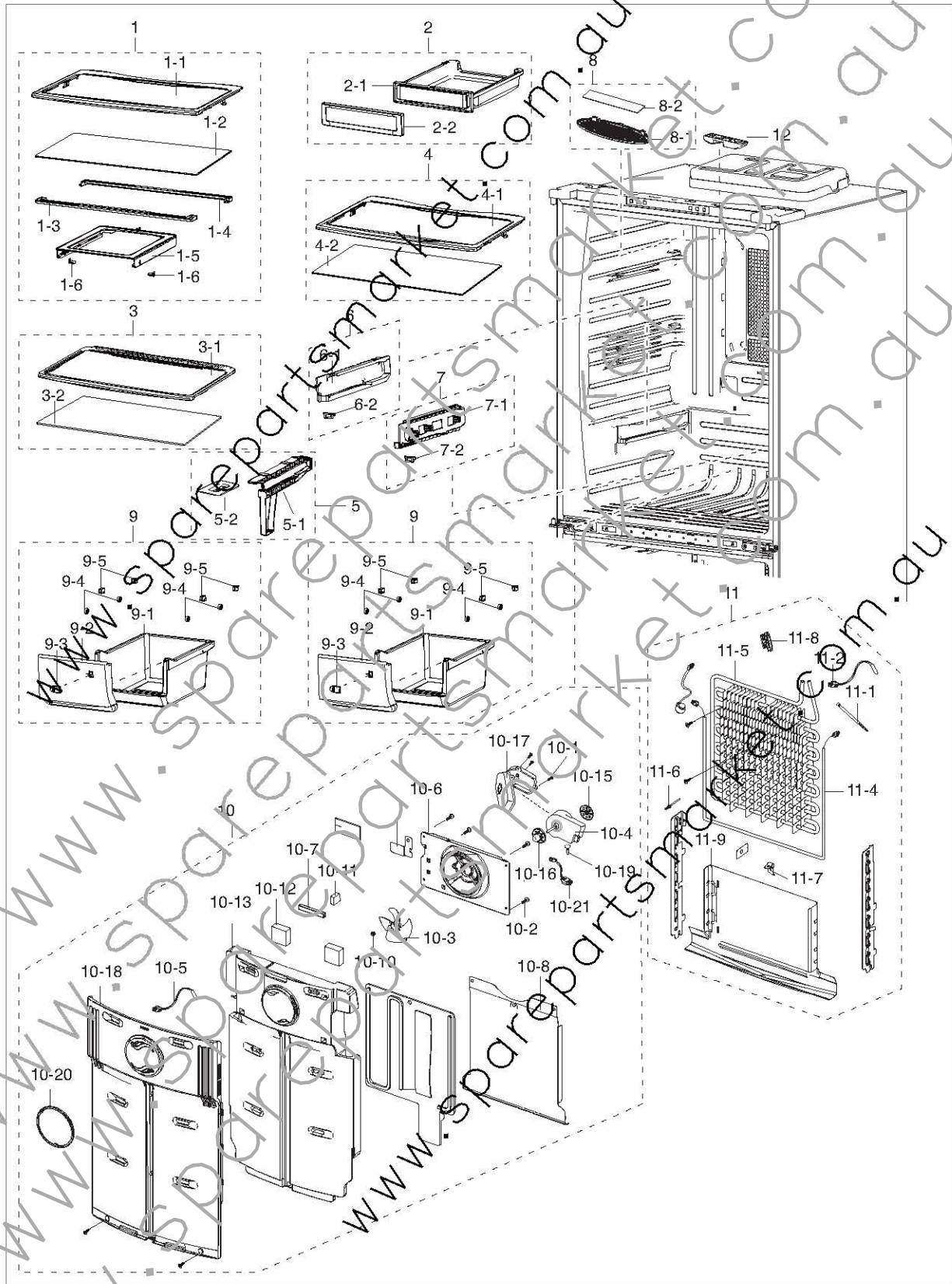


■ Parts List of Freezer (RF62TBSL1/XSA)

NO	CODE NO	description	Specification	Quantity	SA/SNA	SVC NO
1	DA97-11622A	ASSY TRAY-FRE UPP	NW2_Kenmore,COOL WHITE	1	SA	M0121
1-1	DA63-05606A	TRAY FRE-UPP	NW2-SEARS,HIPS,COOL WHITE(S	1	SNA	Z1472
1-2	DA63-05604A	COVER-TRAY FRE UPP A	NW2-SEARS,HIPS,COOL	1	SA	A1279
1-3	DA63-05605A	COVER-TRAY FRE UPP B	NW2-SEARS,GPPS,NTR	1	SA	A1280
1-4	DA64-02823A	WINDOW-TRAY FRE UPP	NW2,SAN,-,-,-,NTR	1	SNA	-
1-5	DA67-02626A	PARTITION-TRAY FRE UPP	NW2_Kenmore,19cu.	1	SA	A1282
1-6	DA63-05608A	TRAY FRE-UPP SUB	NW2-SEARS,HIPS,COOL WHI	1	SA	A1281
1-7	DA61-07403A	FIXER-ROLLER	NW2,PA,NTR	4	SNA	-
1-8	DA66-00856A	ROLLER-FRE	NW2,POM,NTR	4	SNA	-
2	DA97-11600A	ASSY-FIXER TRAY ICE	NW2_Kenmore	1	SA	M0436
2-1	DA61-07487A	SPRING ETC-ICE MAKER	SR-53EA,STS304,PH6	2	SNA	-
2-2	DA64-40111D	KNOB-TRAY ICE	W2-PJT,HIPS,SC-02740F,cool	2	SNA	A0118
2-3	DA61-06178A	FIXER-TRAY ICE	NW2_Kenmore,HIPS,COOL WHI	1	SNA	-
2-4	DA63-02175A	TRAY ICE	W2-PJT,PP,T1.0,SC-02740R,Cool-w	2	SA	A0120
3	DA61-06176A	SUPPORT-TRAY ICE	NW2_Kenmore,HIPS,COOL W	1	SA	A0715
4	DA96-00844C	ASSY EVAP-FRE	NW2-PJT,PIN,230V/240W,R-60	1	SA	A0163
4-1	DA61-04462A	PLATE-DRAIN FRE	NW2-PJT,GALVANUME TO.3	1	SNA	M9011
4-2	DA61-07405A	FIXER-SENSOR EVAP	NW2,PP,NTR	1	SNA	M9009
4-3	DA59-00373B	EVAP FRE	NW2,PIN,A1100P,A16.3-HEATER,NW2	1	SNA	A0742
4-4	DA61-07451A	PLATE-EVAP HEATER	NW2,AL,T0.7	1	SNA	M9010
4-5	DA61-07410A	FIXER-HEATER FRE	NW2,PP,NTR,V0	2	SNA	G0205
4-6	DA61-07411A	FIXER-FUSE	NW2,PP,NTR	1	SNA	A0744
4-7	DA61-07413A	FIXER HEATER REF	NW2,PP,NTR,V0	2	SNA	-
4-8	DA61-07488A	FIXER-EVAP FRE,SUB	AL,0.2	1	SNA	-
5	DA97-11727A	ASSY COVER-LAMP FRE	NW2_FDR	1	SA	M9012
5-1	DA63-06417A	COVER LAMP-FRE	NW2-PJT,SSEC,PC,NTR	1	SNA	-
5-2	DA96-00396F	ASSY-LAMP LEG	NW2_FDR,3chip,11EA	1	SNA	M0327
6	DA97-06665A	ASSY RAIL-FRE LOW L	NW2-PJT,-,-,-,19IN	1	SA	A0922
6-1	DA61-04484A	RAIL-FRE LOW L	NW2-PJT,ABS,-,-,-,COOL WH	1	SNA	-
6-2	DA63-40006A	GROMMET	RAIL,NY-6,-,-,-,-,RAIL	1	SNA	-
7	DA97-06666A	ASSY RAIL FRE LOW R	NW2-PJT,-,-,-,19IN	1	SA	A0923
7-1	DA61-04483A	RAIL-FRE LOW R	NW2-PJT,ABS,-,-,-,COOL WH	1	SNA	-
7-2	DA63-40006A	GROMMET	RAIL,NY-6,-,-,-,-,RAIL	1	SNA	-
8	DA97-11647A	ASSY TRAY-FRE LOW	NW2,19CU ft	1	SA	G0267
8-1	DA63-04458A	TRAY-FRE LOW	NW2-PJT,HIPS,-,-,-,COOL W	1	SNA	-
8-2	DA63-04400A	COVER-TRAY FRE LOW B	NW2-PJT,GPPS,-,-,-	1	SNA	-
8-3	DA63-04401A	COVER-TRAY FRE LOW A	NW2-PJT,HIPS,-,-,-	1	SNA	-
8-4	DA66-00856A	ROLLER-FRE	NW2,POM,NTR	4	SNA	-
8-5	DA61-07403A	FIXER-ROLLER	NW2,PA,NTR	4	SNA	-
9	DA97-11824A	ASSY COVER EVAP-FRE	NW2-PJT,110V~227V	1	SA	M0303
9-1	DA63-04444A	COVER-EVAP FRE	NW2-PJT,PP,-,-,-,-,COOL	1	SNA	-
9-2	DA62-03227A	INSULATION-EVAP FRE	NW2,FOAM-PS	1	SNA	-
9-3	DA61-04461A	PLATE-INS EVAP FRE	NW2-PJT,GALVANUME,TO	1	SNA	-
9-4	DA63-01809A	COVER MOTOR-BLDC	BLDC-NEW,PP,NT,-,-,-	1	SA	M0449
9-5	DA31-00279A	FAN-AX100W4CC-T1	NW2,SSEC,ABS	1	SA	M0159
9-6	DA61-07440A	CASE-MOTOR FRE	NW2,SSEC,PP,NTR	1	SNA	M0143
9-7	DA63-01808A	GROMMET-MOTOR FRONT	BLDC,NBS-BLACK,-,-,-	1	SNA	M0178
9-8	DA31-00146H	MOTOR BLDC	-,-,2950,-,DC12V,150mA,-,-,2.1W	1	SA	A0998
9-9	DA63-01146A	GROMMET-MOTOR,REAR	A-TOR,NBR,-,-,-,ID6.5	1	SNA	M0179
10	DA63-05599A	TRAY-ICE CUBE	NW2_Kenmore,HIPS,COOL WHIT	1	SA	A0716

EXPLODED VIEW & PARTS LIST

5-2) Refrigerator



■ Parts List of Refrigerator (RF62TBSL1/XSA)

NO	CODE NO	description	Specification	Quantity	SA/SNA	SVC NO
1	DA97-06685C	ASSY SHELF-REF UPP	NW2-FDR,19cu.ft	1	SC	A1198
1-1	DA64-02644A	TRIM SHELF-REF	NW2,HIPS,-,-,-,COOL WHITE	1	SNA	G0411
1-2	DA64-02646A	GLASS-SHELF	NW2,GLASS,-,-,-,-,19cu.ft	1	SNA	-
1-3	DA61-04511A	SUPPORT-GUIDE RAIL FRONT	NW2,HIPS,-,-,-,-	1	SNA	-
1-4	DA61-04510A	SUPPORT-GUIDE RAIL REAR	NW2,HIPS,-,-,-,-	1	SNA	-
1-5	DA61-04503A	GUIDE-RAIL	NW2,HIPS,-,-,-,COOLWHITE,19cu	1	SNA	-
1-6	DA63-00202A	GROMMET-RAIL	NY-66,NTR	2	SNA	-
2	DA97-06677B	ASSY TRAY-CHILLED ROOM	NW2,-,-,-,19cu.	1	SA	M0314
2-1	DA63-04463B	TRAY CHIL ROOM	NW2,GPPS,334.5,347.3,NTR	1	SNA	A0079
2-2	DA63-04465A	COVER-TRAY CHIL ROOM	NW2,HIPS,-,-,-,-,-	1	SNA	-
3	DA97-06687C	ASSY SHELF-REF MID	NW2-FDR,19cu.ft	1	SA	A0909
3-1	DA64-02644A	TRIM SHELF-REF	NW2,HIPS,-,-,-,COOL WHITE	1	SNA	G0411
3-2	DA64-02646A	GLASS-SHELF	NW2,GLASS,-,-,-,-,19cu.ft	1	SNA	-
4	DA97-00663C	ASSY COVER-VEG	W2-PJT,ABS,+SHELF,GLASS(T5	1	SA	M0004
4-1	DA64-00449B	TRIM-COVER VEG(50)	W2-PJT,ABS,-,T2.5,SC-	1	SNA	-
4-2	DA67-00505L	SHELF GLASS	W2-PJT(50),GLASS,T5,W710,L29	1	SNA	A0213
5	DA97-07059A	ASSY RAIL VEG-MID	NW2,-,-,-,-,19Cu.ft	1	SA	A0924
5-1	DA61-00761B	RAIL-VEG (MID)	W2-PJT,ABS,T2.5,-,-,COOL-W	1	SNA	-
5-2	DA61-04875A	SUPPORT-RAIL VEG	NW2,PP,COOL WHITE	1	SNA	-
6	DA97-11733A	ASSY RAIL-VEG, L	NW2,L341.5,cool white	1	SA	A0916
6-1	DA61-60127E	RAIL-VEG	W2-PJT,ABS,T3.0,-,RIGHT,COOL-WH	1	SNA	-
6-2	DA63-40006A	GROMMET	RAIL,NY-6,-,-,-,-,-,RAIL	1	SNA	-
7	DA97-00103P	ASSY RAIL-VEG, R	W2-PJT,ABS,L341.5,SC-02	1	SA	A0915
7-1	DA61-60127E	RAIL-VEG	W2-PJT,ABS,T3.0,-,RIGHT,COOL-WH	1	SNA	-
7-2	DA63-40006A	GROMMET	RAIL,NY-6,-,-,-,-,-,RAIL	1	SNA	-
8	DA97-08606A	ASSY COVER-LAMP REF	NW2 FDR	1	SA	A0925
8-1	DA63-05430A	COVER LAMP-REF	NW2-FDR,PC,NTR	1	SNA	M0006
8-2	DA96-00398F	ASSY-LAMP LED	NW2 FDR,Schip 10EA	1	SNA	M0327
9	DA97-11620B	ASSY CASE VEG	NW2,19cu.ft	2	SA	A0217
9-1	DA61-00759B	CASE-VEG, REF	W2-PJT,HIPS,-,SC-02740R,-,	2	SNA	-
9-2	DA63-04445B	COVER-VEG REF	NW2-PJT,GPPS,350.5,232.6,N	2	SNA	-
9-3	DA64-00656A	KNOB-HUMIDITY	W2-PJT,ABS,-,-,-,-,-,W9540,-	2	SA	M0192
9-4	DA66-00856A	ROLLER-FRE	NW2,POM,NTR	4	SNA	-
9-5	DA61-07403A	FIXER-ROLLER	NW2,PA,NTR	4	SNA	-
10	DA97-11823A	ASSY COVER-EVAP REF	NW2-PJT,TWIN COOLING	1	SA	M0080
10-1	6002-000213	SCREW-TAPPING	TH,+,1,M4,L12,ZPC(WHT),SWR	4	SNA	G0412
10-2	6002-000213	SCREW-TAPPING	TH,+,1,M4,L12,ZPC(WHT),SWR	4	SNA	G0412
10-3	DA31-00279A	FAN-AX100W/4CC T1	NW2,SSEC,ABS	1	SA	M0159
10-4	DA31-00146H	MOTOR BLOC	-,2950,-,DC12V,1500A,-,2.1W	1	SA	A0998
10-5	DA32-00024U	SENSOR TEMP	NW2,5V,F-SENSOR,YELLOW,450	1	SA	A1018
10-6	DA61-07439A	CASE-MOTOR REF	NW2,SSEC,PP,NTR	1	SNA	M0144
10-7	DA61-07467A	GUIDE-INS EVAP REF	NW2,ABS,NTR	1	SNA	M0185
10-8	DA61-04701C	PLATE-INS EVAP REF	NW2,CT0.5	1	SNA	-
10-10	DA61-20128A	SPRING ETC-FAN	STS304,Phi8.8,ID7.8,OD9.8,	1	SNA	A0768
10-11	DA62-03187A	INSULATION-EVAP SUB	NW2,FOAM-PS	1	SNA	-
10-12	DA62-03188A	INSULATION-EVAP DUCT	NW2,FOAM-PS,T20,W44	2	SNA	-
10-13	DA62-03226A	INSULATION-EVAP REF	NW2,FOAM-PS	1	SNA	-
10-14	DA62-03228A	INSULATION-EVAP REAR	NW2,FOAM-PS	1	SNA	-

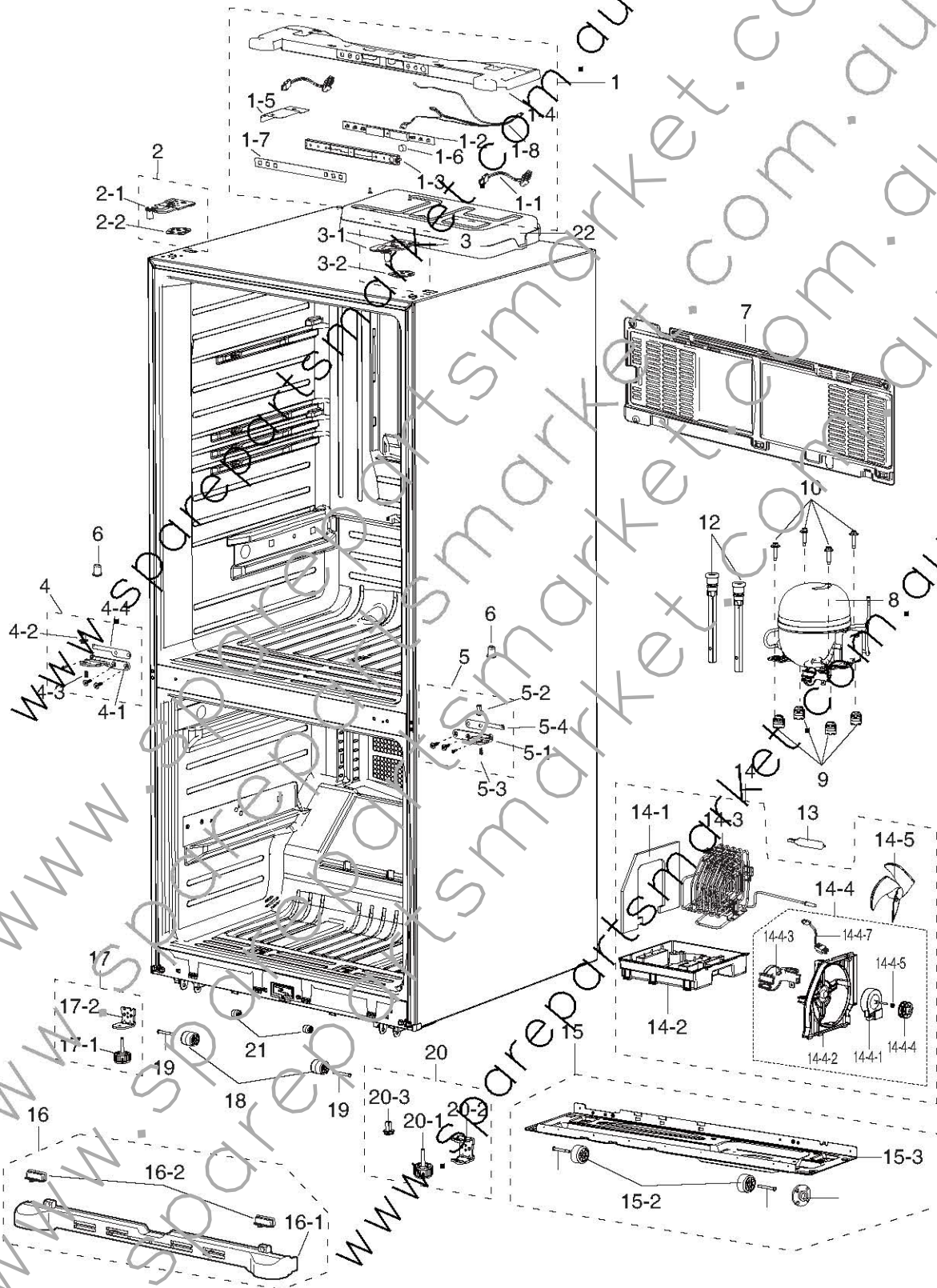
**EXPLODED VIEW& PARTS LIST**

**■ Parts List of Refrigerator (RF62TBSL1/XSA)**

NO	CODE NO	description	Specification	Quantit/	SA/SNA	SVC NO
10-15	DA63-01146A	GROMMET-MOTOR,REAR	A-TOP,NBR,-,-,-,ID6.5	1	SNA	M0179
10-16	DA63-01808A	GROMMET-MOTOR,FRONT	BLDC,NBR,BLACK,-,-,-	1	SNA	M0178
10-17	DA63-01809A	COVER MOTOR-BLDC	BLDC-NEW,PP,NTR,-,-,-,-	1	SA	M0449
10-18	DA63-04439A	COVER EVAP-REF	NW2-PJT,PP,-,-,-,-,COOL	1	SNA	-
10-19	DA63-40167A	GROMMET-COVER CHIL	SILICON,L46,WHITE	1	SNA	M2002
10-20	DA64-03903A	TRIM-COVER EVAP REF	NW2,SSEC,ABS,NTR	1	SNA	M0231
10-21	DA39-00060K	WIRE HARNESS-MOTOR	A-TOP,-,-,-,-,-,351	1	SA	M0208
11	DA96-00845B	ASSY EVAP-REF	NW2,230V/120W	1	SA	A0184
11-1	6501-000122	CABLE TIE	DACT-100,-,W2.5,L101.6,NTR,NYL	1	SNA	-
11-2	DA32-00024U	SENSOR TEMP	NW2,5V,F-SENSOR,YELLOW,450	1	SA	A1018
11-3	DA47-00432A	THERMO FUSE	MD-PJT,250V,10A,110°C,G4A	1	SA	A0685
11-4	DA47-00424Q	HEATER-METAL SHEATH	AW-PJT,120W,115V,R-R	1	SA	A0921
11-5	DA59-00526A	EVAP REF	NW2-FDR,PJT,AL	1	SNA	M0317
11-6	6041-001027	RIVET-BLIND	AL/MG2/STEEL,OD3.2,L9,NTR	2	SNA	-
11-7	DA61-07451A	PLATE-EVAP HEATER	NW2,AL,T0.7	1	SNA	M9010
11-8	DA61-07415A	FIXER-FUSE REF	NW2,PP,NTR	1	SNA	-
11-9	DA61-07452A	PLATE-DRAIN REF	NW2,AL,T0.3	1	SNA	-
12	DA61-05292A	GUIDE-FRENCH	NW2-FDR,PC-ABS,31.3,95.1,CO	1	SNA	M0184

EXPLODED VIEW & PARTS LIST

5-3) Cabinet



**EXPLODED VIEW& PARTS LIST**

**Parts List of Cabinet (RF62TBSL1/XSA)**

NO	CODE NO	description	Specification	Quantity	SA/SNA	SVC NO
1	DA97-11802N	ASSY TOP TABLE	NW2 FDR Kenmore,CREAMY STS	1	SA	A1288
1-1	DA34-00043A	SWITCH REED-ASSY	200VDC,1.5,-	1	SA	G0068
1-2	DA41-00770A	PCB-PANEL	NW2-PJT,SSEC,FR-4,T1.6,300*19	1	SNA	-
1-3	DA61-05316A	CASE-PBA DISPLAY	NW2-FDR,HIPS,L303.2,NTR	1	SA	A0142
1-4	DA64-02960C	TOP TABLE	NW2-FDR,ABS,CREAMY ST5(SC-0700	1	SA	A1109
1-5	DA61-07406A	PLATE-TOP TABLE	NW2-PJT,SSEC,GI-SGCC,0.3	1	SNA	-
1-6	DA64-03901A	BUTTON-CONTROL	NW2-PJT,SSEC,NY66,NTR	1	SNA	M0410
1-7	DA64-02981M	INLAY-DISPLAY	NW2-FDR Kenmore,PC,T0.25,℃	1	SNA	A0566
1-8	DA96-00571A	ASSY W/HARNESS-TOP TABLE	NW2-PJT,FDR	1	SNA	-
2	DA97-06715C	ASSY HINGE UPP-L	NW2-FDR,T3.0,BLACK	1	SA	M0100
2-1	DA61-04475B	HINGE-UPP L	NW2-PJT,SHP1,T3.0,-,BLACK,	1	SNA	M0286
2-2	DA63-02527C	SHIM-HINGE UPP	NW2-FDR,RD-PVC,T1.0,NTR	1	SNA	-
3	DA97-06716D	ASSY HINGE UPP-R	NW2-FDR,T3.0,BLACK	1	SA	M0401
3-1	DA61-04476B	HINGE-UPP R	NW2-PJT,SHP1,T3.0,-,BLACK,	1	SNA	A0813
3-2	DA63-02527C	SHIM-HINGE UPP	NW2-FDR,RD-PVC,T1.0,NTR	1	SNA	-
4	DA97-11594C	ASSY HINGE MID-L	NW2-FDR,T4.5,Ni-Cr Plat	1	SA	M0098
4-1	DA61-07444D	HINGE-MID L	NW2-FDR,SCP1,T4.5,Heat Treat	1	SNA	-
4-2	DA63-04694D	SHIM-HINGE MID	NW2-FDR,RD-PVC,T1.0,NTR	1	SNA	-
4-3	DA66-00686A	SHAFT-HINGE-MID LOW	NW2-FDR,MSWR10,38,18	1	SNA	-
5	DA97-11803B	ASSY HINGE MID-R	NW2-FDR,T4.5,Ni-Cr Plat	1	SA	M0099
5-1	6011-00144Z	BOLT-SOCKET	M8,L13.4,ZPC(BLK),SCM435,-	1	SNA	-
5-2	DA61-07449E	HINGE-MID R	NW2,SHP1,T4.5,Heat Treatment	1	SNA	-
5-3	DA63-04694D	SHIM-HINGE MID	NW2-FDR,RD-PVC,T1.0,NTR	1	SNA	-
6	DA63-06419A	GROMMET-HINGE-MID,R	NW2-PJT,SSEC,POM,WHI	2	SNA	-
7	DA97-07835E	ASSY COVER COMP	NW2-FDR,T0.35,W263.6,L11	1	SA	M0076
8	MK13QL2U/SJ1	COMPRESSOR	RSOR,8.19CC,200/220V,FAN COOL	1	SA	A1290
9	DA63-02017A	GROMMET COMP	QUEEN,EPDM,BLACK	4	SA	Z1112
10	DA60-20008A	BOLT-HEX	S25C,M6,L42.6,WHITE,ZPC	4	SNA	A0564
12	DA97-11608B	ASSY CAP-DRAIN	NW2,L224.5	2	SA	M0067
13	DA62-01469H	DRYER	W07,CU,OD:9.0,T0.46,L110	1	SA	A0669
14	DA97-11805B	ASSY TRAY DRAIN WATER	NW2-FDR,SPIRAL CON	1	SA	A0749
14-1	DA62-03185A	SEAL-CONDENSER	NW2,FOAM-PE,T3,BLK	1	SNA	-
14-2	DA63-04466B	TRAY DRAIN-WATER	NW,PP SCRAP,-,-,-,-,-	1	SA	Z1023
14-3	DA97-07653A	ASSY PIPE-CONDENSER	NW2-FDR	1	SNA	G0270
14-4	DA97-11726E	ASSY SUPPORT CIRCUIT MOTOR	NW2-PJT,,BLDC	1	SNA	M0116
14-4-1	DA31-00146H	MOTOR BLDC	2950,-,DC12V,150mA,-,2.1W	1	SA	A0998
14-4-2	DA61-07425A	SUPPORT-CIRCUIT MOTOR	NW2,SSEC,ABS,NTR	1	SA	A0907
14-4-3	DA61-07427A	BRACKET-CIRCUIT MOTOR	NW2,SSEC,ABS,NTR	1	SA	A0908
14-4-4	DA63-01146A	GROMMET-MOTOR,REAR	A-TOP,NBR,-,-,106.5	1	SNA	M0179
14-4-5	DA63-40167A	GROMMET-COVER CHIL	SILICON,16,WHITE	1	SNA	M2002
14-4-6	DA96-00042P	ASSY-HARNESS MOTOR	AW2,C,FAN	1	SA	G0088
14-5	DA31-00010D	FAN-ASS'Y	ET,ZIPEL,ABS+GLASSFIBER,UNIT,Φ	1	SA	A0905
15	DA97-11728A	ASSY CHASSIS COMP	NW2-FDR,CASTER(TPE)	1	SA	A0526
15-2	DA61-07434A	CASTER-REAR	NW2,SSEC,PP,35,NTR,35	2	SNA	A0527
15-3	DA64-02694A	CHASSIS COMP	NW2,SBHG1,T1.2,-,-,-	1	SNA	A0739

**EXPLODED VIEW& PARTS LIST**

**■ Parts List of Cabinet (RF62TBSL1/XSA)**

NO	CODE NO	description	Specification	Q Jantit /	SA/SNA	SVC NO
16	DA97-07836D	ASSY COVER LEG FRONT	NW2-FDR,CREAMY STS,	1	SA	A0914
16-1	DA63-05106A	COVER LEG-FRONT	NW2,PP,CREAMY STS	1	SNA	A0807
16-2	DA67-02071A	CAP LEG FRONT	NW2,PP,-,-,CREAMY STS,-	1	SNA	-
17	DA97-11589A	ASSY SUPPORT-FOOT FRONT	NW2-FDR,FOOT FRO	2	SA	M0117
17-1	DA61-07421A	FOOT-FRONT	NW2,SSEC,PP,BLACK	2	SNA	A0577
17-2	DA61-04490A	SUPPORT-FOOT FRONT	NW2,SHP1,T4.0,-,-,-	2	SNA	-
18	DA61-07592A	CASTER-FRONT	NW2(PJT,SSEC,PP+PTE	2	SNA	M0145
19	DA61-01920A	CASTER-RIVET	(ZPC2),MSWR10,OD8.0,L3.4,-	2	SA	M0146
20	DA97-11607A	ASSY HINGE LOW	NW2-FDR,FOOT FRONT(DA61-0	1	SA	A0515
20-1	DA61-04488A	HINGE-LOW	NW2,SHP1,T4.0,-,-,-	1	SNA	A0247
20-2	DA61-07421A	FOOT-FRONT	NW2,SSEC,PP,BLACK	2	SNA	A0577
20-3	DA66-00611A	SHAFT HINGE-MID	NW2,SM45C,-,-,DRAWER	1	SNA	-
21	DA66-00853A	ROLLER-VEG	NW2-PJT,SSEC,POM,NTR	2	SA	A0919
22	DA63-00783A	COVER PCB-PANEL	A-TOP,N,ABS,-,-,-,-	1	SA	G0089





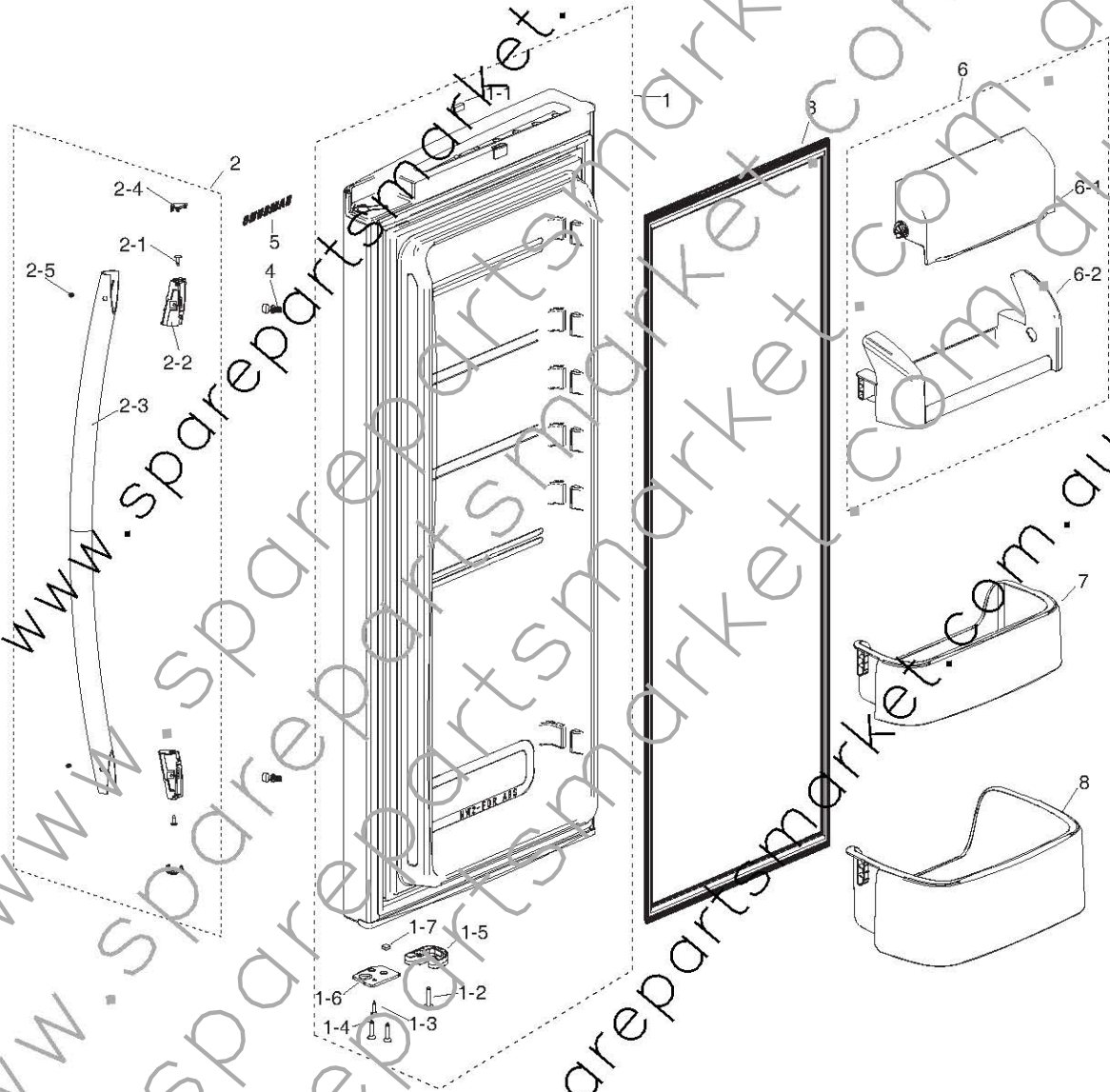
**EXPLODED VIEW& PARTS LIST**

**Parts List of Refrigerator Door-Left (RF62TBSL1/XSA)**

NO	CODE NO	description	Specification	Quantity	SA/SNA	SVC NO
1	DA91-02901H	ASSY DOOR FOAM REF-L DISP	NW2-FDR,EZ CLE	1	SA	Z1226
1-1	DA61-03949A	MAGNET	ES-PJT,SSEC,-,T5,W7,L18,1200Gauss	1	SA	A0534
1-2	6001-001377	SCREW-MACHINE	TH,+,-,M5,L25,ZPC(WHT),SWR	1	SNA	A0848
1-3	6002-001120	SCREW-TAPPING	TH,+,-,M4,L12,ZPC(WHT),SWR	1	SNA	G0412
1-4	6009-001475	SCREW-SPECIAL	FH,+,-,M6,L25(15.5),PASS,S	2	SNA	G0020
1-5	DA61-07443C	SUPPORT-DOOR CLOSE	NW2,POM,CREAMY STS	1	SNA	M0223
1-6	DA61-07462A	STOPPER DOOR-L	NW2-PJT,SSEC,SCP1,T2.3	1	SNA	-
1-7	DA63-06439A	GROMMET-STOPPER	NW2,NR,BLK	1	SNA	M0180
1-8	DA61-07448A	GUIDE-WATER-TANK	NW2,SSEC,PP,COOL WHITE	1	SNA	-
2	DA97-12261A	ASSY HANDLE BAR-REF	AW3,AL(A6063),REAL S	2	SA	M0482
2-1	6002-000213	SCREW-TAPPING	TH,+,-,M4,L12,ZPC(WHT),SWR	4	SNA	G0412
2-2	DA61-06885A	SUPPORT-HANDLE REF	AW3,POM,NTR,GF 10%,FL	4	SA	A1286
2-3	DA64-04089A	HANDLE BAR-REF	NW2,AL,T1.3,REAL STAINLES	2	SNA	M0470
2-4	DA67-02788A	CAP-SUPT HANDLE REF	AW3,ABS,NTR,CR Plan	4	SNA	-
2-5	6009-001526	SCREW-SET	-,HEX,-,#10-24 UNC 2B,L9,PASS,	4	SNA	-
3	DA97-07668B	ASSY-GASKET DOOR REF	NW2-FDR,GRAY,-	1	SA	A0535
4	DA97-07661F	ASSY-FRENCH	NW2-FDR,10W,230V,BLACK,THAI	1	SA	M0127
4-1	DA61-05315A	CASE-FRENCH	NW2-FDR,ABS,888.9,COOL WHITE	1	SNA	M0142
4-2	DA47-00245F	HEATER-CORD-FRENCH	NW2-PJT,P-CORD,7W,230	1	SA	A1275
4-3	DA61-05291C	PLATE-FRENCH	NW2-FDR,SECC1,T0.8,W41,L8	1	SNA	-
4-4	DA62-03229A	INSULATION-FRENCH	NW2,FOAM-PS	1	SNA	-
4-5	DA62-02294A	SEAL-CUTT FRENCH	NW2-FDR,SPONGE+AL,-,T3,	1	SNA	-
4-6	DA63-06427A	COVER-HEATER FRENCH	NW2,SSEC,PC	1	SNA	-
4-7	DA63-06440B	GASKET-FRENCH	NW2,SILICON,GRAY	1	SNA	M0173
4-8	DA63-06442A	GASKET-FRENCH	NW2,SILICON,GRAY	1	SNA	M0173
4-9	DA61-07465A	CAP-CASE FRENCH	NW2,SSEC,ABS	2	SNA	M0137
4-10	DA61-07455A	CAP-CASE FRENCH MID	NW2,SSEC,ABS	1	SNA	M0138
4-11	DA61-07471A	SPRING ETC-FRENCH	NW2,STS304,PI1.4	1	SNA	-
4-12	6043-001436	PIN-SPRING	COOL WHITE,NW2,RD-PVC	1	SNA	-
4-13	DA61-07456A	CAP-GUIDE FRENCH UPP	NW2,SSEC,POM,NTR	1	SNA	-
4-14	6002-000630	SCREW-TAPPING	TH,+,-,M4,L12,ZPC(WHT),SWR	1	SNA	G0412
4-15	DA61-07415A	HINGE-FRENCH	NW2,SSEC,PC	2	SNA	M0190
4-16	6002-000213	SCREW-TAPPING	TH,+,-,M4,L12,ZPC(WHT),SWR	4	SNA	G0412
5	DA61-08043A	FIXER-HANDLE	NW2-FDR,SWRCH18A,M8	2	SNA	M0277
6	6002-000213	SCREW-TAPPING	TH,+,-,M4,L12,ZPC(WHT),SWR	4	SNA	G0412
7	DA67-30218R	CAP-SCREW	-,PP,-,-,SC-97527R,SNOW WHIT	2	SA	A0270
8	DA63-05131A	GUARD REF-UPP	NW2-FDR,PP,COOL WHITE,SC-0	1	SA	A0634
9	DA63-05151A	GUARD REF-SMALL	NW2-FDR,PP,COOL WHITE,SC	1	SA	A1278
10	DA63-05036A	GUARD REF-LOW	NW2-FDR,PP,W300.6,L179.3,C	2	SA	A0635
11	DA97-11632A	ASSY TANK WATER	NW2-FDR,-,-,COOL WHITE	1	SA	M0042
11-1	DA63-05576A	COVER TANK-WATER	NW2-FDR,PP,COOL WHITE(S	1	SA	G0275
11-2	DA67-30216C	CAP WATER TANK-WATER	ET-PJT,PP,-,COO	1	SNA	-
11-3	DA65-00061A	CLAMPER BAG-CLAMP TANK	NW2,SSEC,HIPS,COO	2	SNA	G0277
11-4	DA67-02390A	TANK WATER	NW2-FDR,PP,NTR,SE-1010, RC500	1	SA	M0039
11-5	DA97-11229A	ASSY-COCK DISPENSER	TWIN MT, TD09, NW2-	1	SA	M0353
11-6	DA67-02456A	CAP-COCK	NW2-FDR,PP,COOL WHITE(SC-02740R	1	SNA	-
12	DA97-11631C	ASSY COVER DISP	NW2 FDR,CREAMY STS(SC-07	1	SA	G0282
12-1	DA92-00203A	ASSY PCB KIT	ASSY PCB KIT LED,-,NW2-PJT,	1	SA	Z1144
12-2	DA63-05098C	COVER DISPENSER	NW2 FDR,ABS,T2.3,W206.0,	1	SNA	M0027
12-3	DA64-03902A	KEY-LEVER	NW2-PJT,SSEC,POM,TITAN GRAY	1	SNA	M0034
12-4	DA63-06436A	GROMMET-MICRO SWITCH	NW2,SILICON,NTR	1	SNA	-
12-5	DA34-00011C	SWITCH MICRO	VP1XX,Button,PBT, AgAu,12VD	1	SA	M0225
12-6	DA61-05708A	SPRING ETC-LEVER	NW2-FDR,STS304WPB,D 7.9	1	SNA	M0022
12-7	DA66-00861A	LEVER-DISPENSER	NW2,SSEC,PC,NTR	1	SNA	M0412

EXPLODED VIEW & PARTS LIST

5-5) Disassembly of Refrigerator Door Right



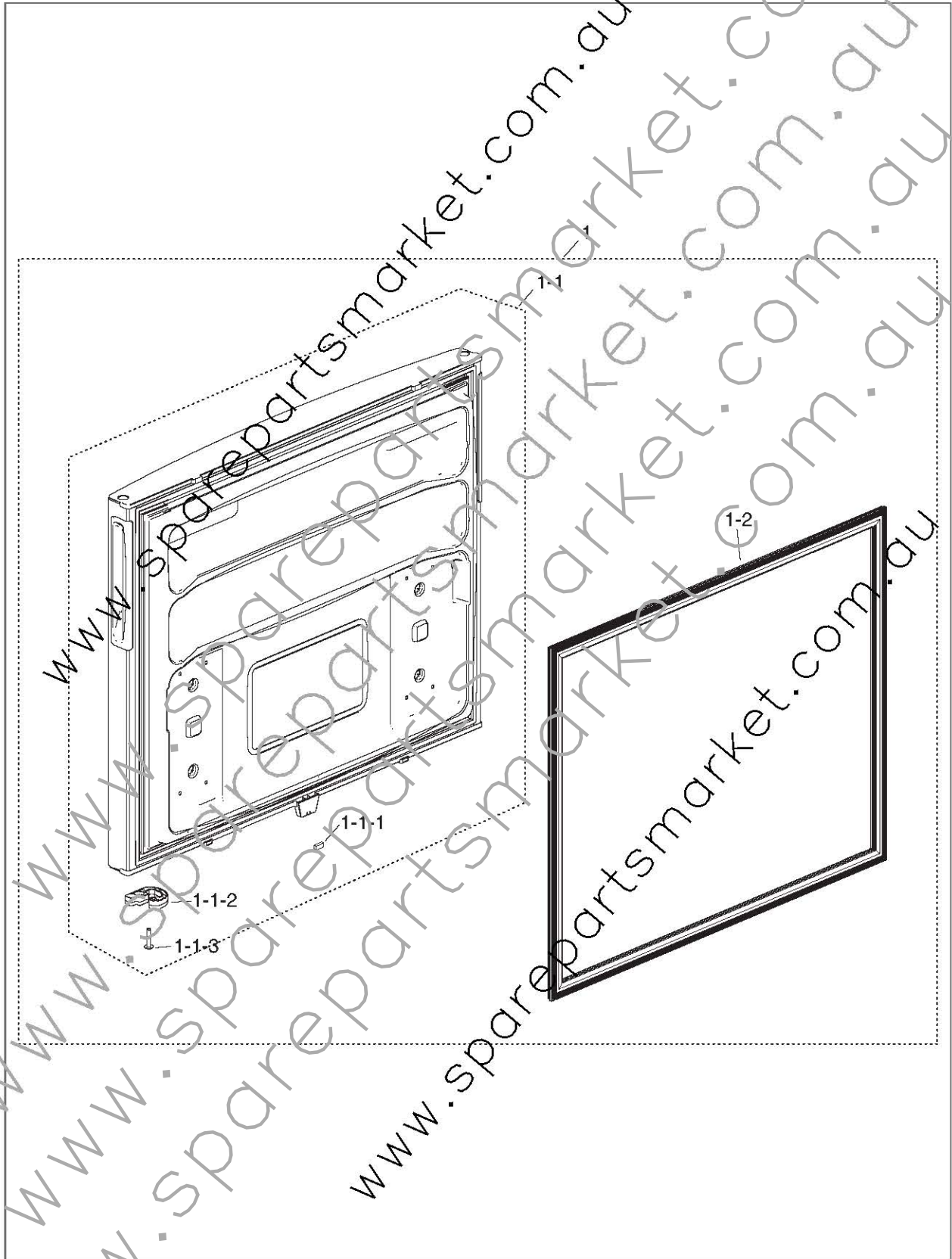
**EXPLODED VIEW& PARTS LIST**

**■ Part List of Refrigerator Door-Right (RF62TBSL1/XSA)**

NO	CODE NO	description	Specification	Quantity	SA/SNA	CVC NO
1	DA91-03654R	ASSY DOOR FOAM REF-R	NW2-FDR,EZ CLEAN ST	1	SA	M0089
1-1	DA61-03949A	MAGNET	ES-PJT,SSEC,-,T5,W7,L18,1200Gauss	1	SA	A0534
1-2	6001-001377	SCREW-MACHINE	TH,+,-,M5,L25,ZPC(WHT),SWR	1	SNA	A0848
1-3	6002-001120	SCREW-TAPPING	TH,+,-,M4,L12,ZPC(WHT),SWR	1	SNA	G0412
1-4	6009-001475	SCREW-SPECIAL	PH,+,-,M5,L25(15.5),PASS,S	2	SNA	G0020
1-5	DA61-07443C	SUPPORT-DOOR CLOSE	NW2,POM,CREAMY STS	1	SNA	M0223
1-6	DA61-07463A	STOPPER DOOR-R	NW2-PJT,SSEC,SCR1,T2.9	1	SNA	-
1-7	DA63-06439A	GROMMET-STOPPER	NW2,NR,BLK	1	SNA	M0180
2	DA97-12261A	ASSY HANDLE BAR-REF	AW3,AL,(A0063),REAL S	2	SA	M0482
2-1	6002-000213	SCREW-TAPPING	TH,+,-,M4,L12,ZPC(WHT),SWR	4	SNA	G0412
2-2	DA61-06885A	SUPPORT-HANDLE REF	AW3,POM,NTR GF 10%,FI	4	SA	A1286
2-3	DA64-04089A	HANDLE BAR-REF	NW2,AL,T1.3,REAL STAINLES	2	SNA	M0470
2-4	DA67-02788A	CAP-SUFT HANDLE REF	AW3,ABS,NTR,CR Plati	4	SNA	-
2-5	6009-001526	SCREW-SET	-,HEX,-,#10-24 UNC 2B,L9,PASS,	4	SNA	-
3	DA97-07668B	ASSY-GASKET DOOR-REF	NW2-FDR,GRAY,-,-	1	SA	A0535
4	DA61-08043A	PXER-HANDLE	NW2-FDR,SWRCH12A,M8	2	SNA	M0277
5	DA64-04021A	MASCOT	ALL,NI,T0.05,L90	1	SA	M0196
6	DA97-07681A	ASSY GUARD DAIRY	NW2-FDR,COOL WHITE	1	SA	A0636
6-1	DA63-05042A	GUARD-DAIRY	NW2-FDR,PP,295.9,COOL WHITE	1	SA	A0155
6-2	DA63-05050A	COVER-GUARD DAIRY	NW2-FDR,GPPS,226,-,-,N	1	SA	A0660
7	DA63-05035A	GUARD REF-MID	NW2-FDR,PP,W302.5,L116.7,C	1	SA	A0643
8	DA63-05036A	GUARD REF-LOW	NW2-FDR,PP,W304.6,L179.3,C	2	SA	A0635

EXPLODED VIEW & PARTS LIST

5-6) Disassembly of Freezer Door



**EXPLODED VIEW& PARTS LIST**

■ **Parts List of Freezer Door (RF62TBSL1/XSA)**

NO	CODE NO	description	Specification	Quantity	SA, SNA	SVC NO
1	DA90-07485A	ASSY DOOR FRE	RF62,ELEQVCM,EZ CLEAN STE	1	SNA	A0054
1-1	DA91-03651L	ASSY DOOR FOAM FRE	RF62,EZ CLEAN STEEL(S	1	SA	A0051
1-1-1	DA61-03949A	MAGNET	ES-PJT,SSEC,-,T5,W7,L18,1200Gauss	1	SA	A0534
1-1-2	DA61-07600C	STOPPER DOOR	NW2,POM,CREAMY STS(SC-07009	1	SA	A0640
1-1-3	6001-001377	SCREW-MACHINE	TH,+,-,M5,L25,2PC(WHT),SWR	1	SNA	A0848
1-2	DA97-07722B	ASSY-GASKET DOOR FRE	NW2-FDR GRAY,-,-	1	SA	A0557