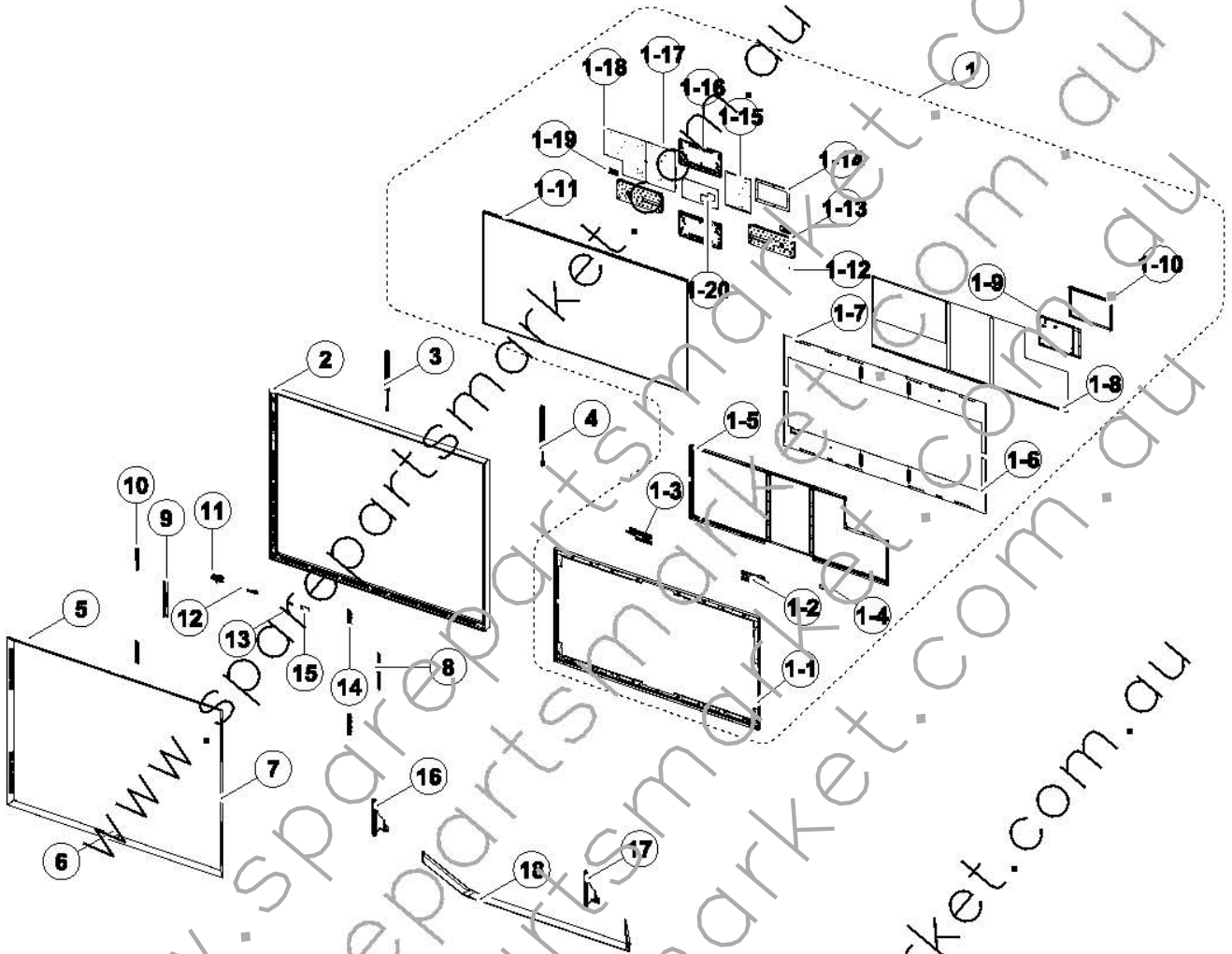


1. Exploded View & Part List

Exploded View



No.	Picture	No.	Picture	No.	Picture	No.	Picture
1-2 1-3		3 4		8 9		10	
11		12		18			

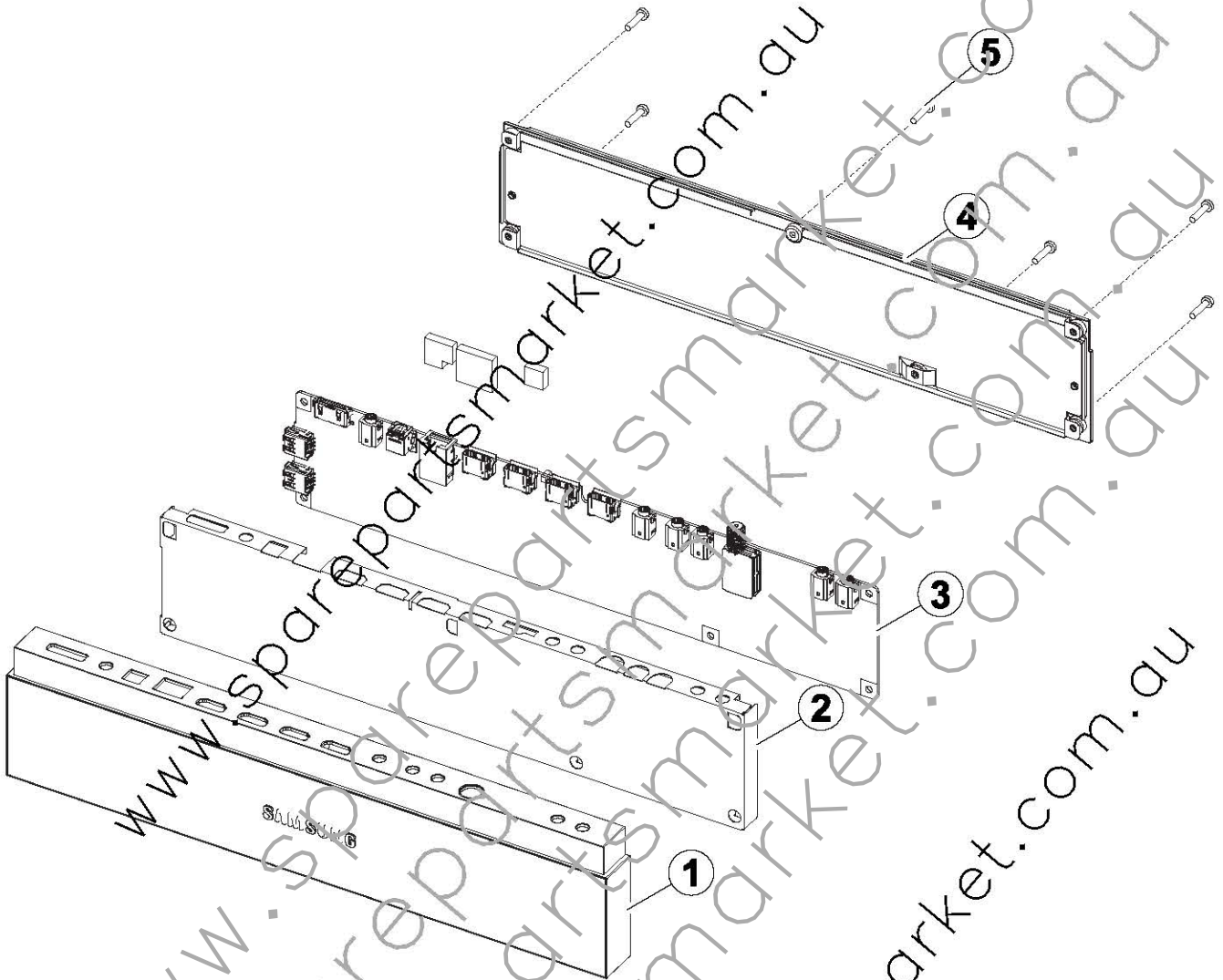
Parts List

No.	Lvl.	Loc.	Material Code	Description & Specification	SNA	Qty.
1	1	PANEL	BN81-09003B	A/S-PANEL KIT; 85" Fox,XS,RD,XY,XT,BN95-0	SC	1
1-1	3		BN96-26023B	ASSY COVER P-DECO; S9 UHD 85",AL6063,extru	SA	1
1-2	2		BN96-26031B	ASSY HINGE P-R; S9 UHD 85",AL6063,extrusi	SA	1
1-3	2		BN96-26030B	ASSY HINGE P-L; S9 UHD 85",AL6063,extrusi	SA	1
1-4	2	FB05A	BN96-28844A	ASSY BOARD P; UN85S9AF,CHEMTRONICS,FR-4,B	SA	1
1-5	2		BN96-26029A	ASSY COVER P-REAR FRAME; S9 UHD 85",AL,HA	SA	1
1-6	2		BN96-26300A	ASSY COVER P-REAR BOT; S9 UHD 85",AL,HAIR	SA	1
1-7	2		BN96-26299B	ASSY COVER P-REAR TOP; S9 UHD 85",AL,HAIR	SA	1
1-8	2		BN96-26027A	ASSY COVER P-REAR MID; S9 UHD 85",AL,HAIR	SA	1
1-9	2	R003A	BN96-26210F	ASSY COVER P-MAIN; S9 UHD 85",Australia,N	SA	1
1-10	2		BN96-26028A	ASSY COVER P-CABLE; S9 UHD 85",AL,HAIR	SA	1
1-11	2	PANEL	BN95-00932A	PRODUCT LCD-AMLCD LSF850F01,CY-HF850GS	SNA	1
1-12	3	FB05A	BN96-27945A	ASSY BOARD P; UN85S9AFXZA,SUNGJI,FR-4,Bas	SA	1
1-13	2	FF01A	BN96-27143A	ASSY SPEAKER P; 8ohm,20W Enclosure_S9	SA	1
1-14	2	M0014	BN94-07300P	ASSY PCB MAIN; UF9Y	SA	1
1-15	3	DIMING	BN44-00643A	DC VSS-LED TV DRIVER; L85D2LE_DSM,PSLF671	SA	1
1-16	3		BN63-10402A	SHIELD-T CON; UHD 85",ET-SPTE,T0.5,425,28	SNA	2
1-17	2	P001A	BN44-00642A	DC VSS-LED TV PD BD; L85D2LE_DSM,PSLF671F	SA	1
1-18	2	P001A	BN44-00641A	DC VSS-LED TV PD BD; L85D2LA_DSM,PSLF671F	SA	1
1-19	2	FB05A	BN96-27539A	ASSY BOARD P; S9_Network board	SA	1
1-20	3	MFT0A	BN94-06203A	ASSY PCB MISC-FRC;UF8Y	SA	1
2	2	FF01A	BN96-26024C	ASSY COVER P-FRAME; S9 UHD 85",ALDC,extru	SA	1
3	3		BN96-26032B	ASSY HINGE P-LIFT L; S9000 UHD 85",ALDC,e	SA	1
4	3		BN96-26033B	ASSY HINGE P-LIFT R; S9000 UHD 85",ALDC,e	SA	1
5	3		BN96-26301B	ASSY HOLDER P-JERSEY TOP; S9000 UHD 85",A	SA	1
6	3		BN96-26302B	ASSY HOLDER P-JERSEY BOT; S9000 UHD 85",A	SA	1
7	3		BN96-26303B	ASSY HOLDER P-JERSEY SIDE; S9000 UHD 85",	SA	2
8	3		BN96-27889A	ASSY HOLDER P-WIRE-R; UN85S9,EGI-SECC	SNA	1

No.	Lvl.	Loc.	Material Code	Description & Specification	SNA	Qty.
9	3		BN96-27890A	ASSY HOLDER P-WIRE-L; UN85S9,EGI-SECC	SNA	1
10	3	SP01A	BN96-27144A	ASSY SPEAKER P; 8ohm,20W,Enclosure_S9	SA	1
11	2	CAM	BN96-26793A	ASSY MISC P-AQUILA_VP; AQUILA_VP,TV camer	SA	1
12	2	NW01	BN59-01161A	NETWORK; WIDF-30Q,Internal WiFi,USB,IEEE8	SA	1
13	2	BT	BN96-25376A	ASSY BOARD P-RF-MODULE; Bluetooth Module,	SA	1
14	3	SP01A	BN96-27144B	ASSY(SPEAKER P; 8ohm,20W,S9_Speaker_Left	SA	1
15	2	FB05A	BN96-28843A	ASSY* BOARD P; UN85S9AF,CHEMTRONICS,FR-4,B	SA	1
16	2		BN96-26306A	ASSY STAND P-LEG TOP-L; S9 UHD 85",AL,ext	SA	1
17	2		BN96-26307A	ASSY STAND P-LEG TOP-R; S9 UHD 85",AL,ext	SA	1
18	2		BN96-26025B	ASSY STAND P-LEG; S9 UHD 85",AL6063,extru	SA	1

2. ONE CONNECT Exploded View & Part List

ONE CONNECT Exploded View



Parts List

No.	Lvl.	Loc.	Material Code	Description & Specification	SNA	Qty.
1	2	T001A	BN96-29941D	ASSY COVER P-TOP; UF9000,55,65,SO,ABS+PC,	SA	1
2	2		BN96-29259B	ASSY SHIELD P-TOP;US9000,55,EG1-SECC	SA	1
3	2	MJ01A	BN94-07092K	ASSY PCB MISC-JACKPACK; UF9000,ASIA	SA	1
4	2		BN96-29260A	ASSY SHIELD P-BOTTOM; US9000,65,SECC	SA	1
5	2	SCREW	6003-001086	SCREW-TAPTTYPE; BH,+ (B)M3,L12,ZPC(BLK),S	SA	6

3. Electrical Parts List

Level	Loc.	Part Code	Description & Specification	Qty.	SA/SNA
			UA85S9AMXXY (TS02)		
1	PANEL	BN81-09003B	A/S-PANEL KIT;85" Fox,XS,RD,XY,XT,BN95-0	1	SC
1		BN90-04520A	ASSY COVER MIDDLE;UF8000,55	1	SNA
.2		6001-000781	SCREW-MACHINE;PH,+M3,L8,ZPC(BLK),SWRCH1	6	SA
.2	FF01A	BN96-26024C	ASSY COVER P-FRAME;S9 UHD 85",ALDC,extru	1	SA
..3		6001-001547	SCREW-MACHINE;BH,+M4,L10,ZPC(BLK),SWRCH	50	SNA
..3		6001-002283	SCREW-MACHINE;BH,+M3,L5,ZPC(WHT),SWRCH1	2	SA
..3		6001-002343	SCREW-MACHINE;BH,+M3,L12,ZPC(BLK),SWRC	40	SA
..3		6001-002647	SCREW-MACHINE;BH,+M3,L10,ZPC(WHT),SWRCH	8	SA
..3	SCREW	6003-000115	SCREW-TAPTTYPE;BH,+B,M3,L6,ZPC(BLK),SWRC	12	SA
..3		6501-000110	CABLE TIE;SJCT-100,T1.6,W2.7,L102,NTR,NY	4	SNA
..3	AC085	6502-001019	CABLE CLAMP;DAMC-10,ID9.9,T7.1,NYLON6.6,	8	SNA
..3	AS108	AK63-00946E	SHEET-PROTECTION;UN85S9AF(S9000_85inch),	5	SNA
..3		BN60-00090S	SPACER-FELT;FELT,670,T0.15,15,32inch	6	SNA
..3	T0069	BN60-00090W	SPACER-FELT;FELT,420,NTR,T0.15,8,19inch	8	SNA
..3		BN61-09101A	BRACKET-SPEAKER BOT;S9 UHD 85",AL6063,T1	8	SNA
..3		BN61-09202B	BRACKET-FRAME CORNER;S9 UHD 85",ALDC,ext	4	SNA
..3		BN61-09209A	HOLDER-LEG;S9 UHD 85",AL6061,M4,L3.0,SPE	6	SNA
..3		BN61-09220A	BRACKET-WIFI;S9 UHD 85",EGI-SECC,1.0	1	SNA
..3		BN61-09267A	CASE-FOOT;S9 UHD 85",ELASTOMER,BLK,H:90,	4	SNA
..3		BN61-09509A	BRACKET-FRAME CORNER C;S9 UHD 85",EGI-SE	4	SNA
..3		BN61-09839A	BRACKET-HOLDER WIRE;S9 UHD 85",STAINLESS	1	SNA
..3		BN61-10069A	HOLDER-BOND;S9000 UHD 85",ABS+PC,COLORLE	0	SNA
..3	AS080	BN63-05199V	SHEET-COVER;AMBER,SHEET-PE,T0.08,W45mm,2	7	SNA
..3		BN63-10654A	COVER-FRAME TOP;S9 UHD 85",AL6063,2000.8	1	SNA
..3		BN63-10655A	COVER-FRAME BOT;S9 UHD 85",AL6063,2000.9	1	SNA
..3		BN63-10656A	COVER-FRAME L;S9 UHD 85",AL6063,1625.0,e	1	SNA
..3		BN63-10657A	COVER-FRAME R;S9 UHD 85",AL6063,1625.0,e	1	SNA
..3		BN63-10659A	COVER-FRAME REAR TOP;S9 UHD 85",AL6063,2	2	SNA
..3		BN63-10661A	COVER-FRAME REAR TOP-L;S9 UHD 85",AL6063	1	SA
..3		BN63-10662A	COVER-FRAME REAR TOP-R;S9 UHD 85",AL6063	1	SA
..3		BN63-10663A	COVER-FRAME REAR BOT-L;S9 UHD 85",AL6063	1	SA
..3		BN63-10664A	COVER-FRAME REAR BOT-R;S9 UHD 85",AL6063	1	SA
..3		BN63-11046A	COVER-DECO SIDE;S9 UHD 85",AL6063,extrus	2	SNA
..3		BN63-11117A	SHEET-GLASS FABRIC;S9,SHEET,0.073,30,YEL	1	SNA
..3	AS108	BN63-12509A	SHEET-PROTECTION;S9,PET,0.07,35mm,CLEAR	7	SNA
..3	AS108	BN63-12509B	SHEET-PROTECTION;85S9,PET,0.07,67mm,CLEA	8	SNA
..3		BN74-00031A	GREASE;SMART F & S FLC-512,GREASE,WHT	4	SNA

Level	Loc.	Part Code	Description & Specification	Qty.	SA/SNA
..3		BN96-26032B	ASSY HINGE P-LIFT L;S9000 UHD 85",ALDC,e	1	SA
..3		BN96-26033B	ASSY HINGE P-LIFT R;S9000 UHD 85",ALDC,e	1	SA
..3		BN96-26301B	ASSY HOLDER P-JERSEY TOP;S9000 UHD 85",A	1	SA
...4		BN61-09210A	HOLDER-JERSEY TOP;S9 UHD 85",PC+ABS-TALC	1	SNA
..3		BN96-26302B	ASSY HOLDER P-JERSEY BOT;S9000 UHD 85",A	1	SA
...4		BN61-04248C	BOSS-TAPE;#4920,acryl,0.45mm,12mm,3M,whi	0	SNA
...4		BN61-04692A	BOSS-PRIMER;#94,SHEET,clear,35cps	0	SNA
...4		BN61-09211A	HOLDER-JERSEY BOT;S9 UHD 85",PC+ABS-TALC	1	SNA
...4		BN61-09261A	HOLDER-LOGO;S9 UHD 85",AL	1	SNA
...4		BN64-02331A	BADGE-LOGO;S9 UHD 85",PETG,3.0,HOT STAMP	1	SNA
..3		BN96-26303B	ASSY HOLDER P-JERSEY SIDE;S9000 UHD 85",	2	SA
...4		BN61-09212A	HOLDER-JERSEY SIDE;S9 UHD 85",PC+ABS-TAL	2	SNA
...4		BN61-10258A	HOLDER-BOND;S9000 UHD 85",acrylate(ethyl	0	SNA
...4		BN64-02388A	NET-JERSEY;S9 UHD85",JERSEY CLOTH,T0.2,SP	3	SNA
..3	SP01A	BN96-27144A	ASSY SPEAKER P;8ohm,20W,Enclosure_S9	1	SA
..3	SP01A	BN96-27144B	ASSY SPEAKER P;8ohm,20W,S9_Speaker_Left	1	SA
..3		BN96-27889A	ASSY HOLDER P-WIRE-R;UN85S9,EGI-SECC	1	SNA
..3		BN96-27890A	ASSY HOLDER P-WIRE-L;UN85S9,EGI-SECC	1	SNA
..3		BN96-27958A	ASSY CABLE P-MIXED CABLE;F9000,Mixed Cab	1	SA
1	R001A	BN90-04522A	ASSY COVER REAR;UF8000 55	1	SNA
..2	SCREW	6003-000282	SCREW-TAPTYPF;BH,+,-,B,M3,L8,ZPC(BLK),SW	2	SA
..2		BN96-26027A	ASSY COVER P-REAR MID;S9 UHD 85",AL,HAIR	1	SA
..3		BN61-09216A	BRACKET-REAR MID;S9 UHD 85",AL6063,L1816	2	SNA
..3		BN61-09217A	BRACKET-REAR MID SUPPORT;S9 UHD 85",EGI-	1	SNA
..3		BN63-10673A	COVER-REAR MID;S9 UHD 85",AL,,6,1816.0,6	1	SNA
..3		BN63-10835A	SHEET-INSULATOR;S9,PP,0.7,671,401,BLACK	1	SNA
..2		BN96-26029A	ASSY COVER P-REAR FRAME;S9 UHD 85",AL,HA	1	SA
..3		0203-001598	TAPE-FILAMENT;#8915,0.15,12,55000,CLK	0	SNA
..3	SCREW	6001-002996	SCREW-MACHINE;PH,+,M3.0,L5.0,ZPC(BLK),SW	24	SA
..3		BN60-00162E	SPACER-FOAM;FOAM,50000mm,DARK GRAY,0.5T,	1	SNA
..3		BN60-00699A	SPACER-SPONGE;S9 UHD 85",EVA,1320,BLK,2.	1	SNA
..3		BN60-00699B	SPACER-SPONGE;S9 UHD 85",EVA,600,BLK,2.0	1	SNA
..3		BN60-00699C	SPACER-SPONGE;S9 UHD 85",EVA,300,BLK,2.0	2	SNA
..3		BN60-00699D	SPACER-SPONGE;S9 UHD 85",EVA,200,BLK,2.0	1	SNA
..3		BN61-09259A	BRACKET-REAR FRAME CORNER A;S9 UHD 85",E	4	SNA
..3		BN61-09263A	BRACKET-RAIL;S9 UHD 85",AL6063,661,EXTRU	2	SNA
..3		BN61-09289A	BRACKET-REAR FRAME CORNER B;S9 UHD 85",E	2	SNA
..3		BN63-10718A	COVER-REAR FRAME TOP;S9 UHD 85",AL6063,1	1	SNA
..3		BN63-10719A	COVER-REAR FRAME BOT;S9 UHD 85",AL6063,1	1	SNA
..3		BN63-10720A	COVER-REAR FRAME L;S9 UHD 85",AL6063,694	1	SNA

Exploded Views and Parts List

Level	Loc.	Part Code	Description & Specification	Qty.	SA/SNA
...3		BN63-10721A	COVER-REAR FRAME R;S9 UHD 85",AL6063,401	1	SNA
...3		BN63-10722A	COVER-REAR FRAME SIDE A;S9 UHD 85",AL606	1	SNA
...3		BN63-10723A	COVER-REAR FRAME SIDE B;S9 UHD 85",AL606	1	SNA
...3		BN63-11110A	GASKET;S27C430B,Conductive Fabric,2.70	3	SNA
.2		BN96-26299B	ASSY COVER P-REAR TOP;S9 UHD 85",AL,HAIR	1	SA
...3		0203-001317	TAPE-AL FOIL;DK-100-30-350,T0007,W350,L3	3	SNA
...3		BN02-00207A	TAPE ETC-AL FOIL;UHD85,0.07,15,850,SILVE	2	SNA
...3		BN61-09214A	BRACKET-SPRING A;S9 UHD 85",STAINLESS,0	6	SNA
...3		BN61-09265A	BRACKET-PLATE A;S9 UHD 85",EGI-SECC,T0.5	2	SNA
...3		BN61-09266A	BRACKET-PLATE B;S9 UHD 85",EGI-SECC,T0.5	2	SNA
...3		BN61-09283A	BRACKET-REAR HOLDER;S9 UHD 85",AL6063,1.	2	SNA
...3		BN61-09284A	BRACKET-REAR HOLDER SHAFT;S9 UHD 85",S45	2	SNA
...3		BN63-10671A	COVER-REAR TOP;S9 UHD 85",AL,6,1885.8,4	1	SNA
...3		BN63-11113A	GASKET;UN85S9AFXZA,Conductive Fabric,1.5	6	SNA
...3		BN63-11115A	GASKET;UN85S9AFXZA,Conductive Fabric,0.5	6	SNA
.2		BN96-26300A	ASSY COVER P-REAR BOT;S9 UHD 85",AL,HAIR	1	SA
...3		BN61-04731A	BOSS-TAPE AMBER,ACRYL,T1.1,W8.0mm,WHITE	0	SNA
...3		BN61-09115A	BRACKET-SPRING B;S9 UHD 85",STAINLESS,0.	2	SNA
...3		BN63-10658A	COVER-RAIL;S9 UHD 85",ABS,0.5,19.5,359.6	1	SNA
...3		BN63-10672A	COVER-REAR BOT;S9 UHD 85",AL,T1,0,1885.8	1	SNA
1	S001A	BN90-04524A	ASSY STAND;UF8000 55	1	SNA
.2		BN96-26025B	ASSY STAND P-LEG;S9 UHD 85",AL6063,extru	1	SA
...3		0203-001269	TAPE-OPP MASKING;#101,T0.06,W75,L50000,N	0	SNA
...3		6001-001806	SCREW-MACHINE;FH,+,M4,L5,ZPC(BLK),SWRCH1	6	SA
...3		6001-002610	SCREW-MACHINE;BH,+,M4,L6,ZPC(BLK),SWRCH1	8	SA
...3	SCREW	6003-000133	SCREW-TAPTYPE;BH,+,-,S,M4,L8,ZPC(BLK),SW	8	SA
...3	T0069	AA60-00091T	SPACER-FELT;W7,FELT,L635,BLK,T0.35,W10	2	SNA
...3		BN61-09205A	BRACKET-LEG BOT;S9 UHD 85",AL,8.0,1464.4	1	SNA
...3		BN61-09206A	BRACKET-LEG MIDDLE-L;S9 UHD 85",AL6063,7	1	SNA
...3		BN61-09207A	BRACKET-LEG MIDDLE-R;S9 UHD 85",AL6063,7	1	SNA
...3		BN61-09405A	BRACKET-LEG BOT-R;S9 UHD 85",AL,BLACK,ex	1	SNA
...3		BN61-09406A	BRACKET-LEG BOT-L;S9 UHD 85",AL,BLACK,ex	1	SNA
...3		BN61-09407A	BRACKET-LEG MID COVER-L;S9 UHD 85",AL,BL	1	SNA
...3		BN61-09408A	BRACKET-LEG MID COVER-R;S9 UHD 85",AL,BL	1	SNA
...3		BN61-09409A	BRACKET-LEG BOT INNER-A;S9 UHD 85",SPC,1	1	SNA
...3		BN61-09410A	BRACKET-LEG BOT INNER-B;S9 UHD 85",SPC,1	1	SNA
...3		BN67-00433A	RUBBER-FOOT;S9 UHD 85",RUBBER	3	SNA
...3		BN68-05603A	LABEL-E,PASS;ALL MODEL,ART PAPER 90G,60,	1	SNA
...3		BN69-09233B	PACKING-BAG,TUBE;85S9000,LDPE,0.08T,W110	2	SNA
.2		BN96-26306A	ASSY STAND P-LEG TOP-L;S9 UHD 85",AL,ext	1	SA

Level	Loc.	Part Code	Description & Specification	Qty.	SA/SNA
..3		BN61-09203A	BRACKET-LEG TOP L;S9 UHD 85",ALDC,333.0,	1	SNA
..3		BN67-00447A	RUBBER-LEG TOP-L;S9 UHD 85",Silicone Rub	1	SNA
.2		BN96-26307A	ASSY STAND P-LEG TOP-R;S9 UHD 85",AL,ext	1	SA
..3		6001-000378	SCREW-MACHINE;FH,+,M4,L8,NI PET,SWRCH18A	3	SA
..3		6902-001862	BAG PE;HDPE/PE FOAM,T0.015/T0.5,W200,L50	1	SNA
..3		BN61-09204A	BRACKET-LEG TOP R;S9 UHD 85",ALDC,333.0,	1	SNA
..3		BN61-09208A	BRACKET-LEG GUIDE;S9 UHD 85",SUS,T2.0,NO	1	SNA
..3		BN63-01474F	FELT;VENICE 20",FELT,T0.35,10,50,NTR	2	SNA
..3		BN63-11099A	SHEET-LEG GUIDE;S9,SHEET,0.5,BLACK	4	SNA
..3		BN67-00448A	RUBBER-LEG TOP-R;S9 UHD 85",Silicone Rub	1	SNA
1		BN90-04865A	ASSY W/I;UF9Z,85	1	SNA
.2		BN81-08159Z	PART SET-ELEC W/I;UF4-UF8,UH4-UH9 ELEC	1	SNA
.2		BN81-08367R	PART SET-MECH W/I;UF9Z,U85SZ*	1	SNA
1		BN91-10378A	ASSY LCM-AMLCD;BN95-00932A,CY-HF850GSLV1	1	SNA
.2	PANEL	BN95-00932A	PRODUCT LCD,AMLCD;LSF850FJ01,CY-HF850GSL	1	SNA
..3		6001-002685	SCREW-MACHINE;CH,+,M3,L2,Cr 3+ Red,SWRCH	38	SNA
..3	SCREW	6001-002756	SCREW-MACHINE;BH,+,M3,L6,ZPC(WHT),SWRCH1	24	SA
..3		6001-003005	SCREW-MACHINE;BH,+,M3,L6,ZPC(WHT),SWRCH1	22	SNA
..3	AP028	AH69-03422A	PAD THERMAL;HW-D7000,CB,2mm,40mm,40mm,da	4	SNA
..3		BN02-00102B	TAPE FILAMENT;UE7000,#8917,0.15,25,50,WH	40	SNA
..3	DIMM	BN44-00643A	DC VSS-LED TV DRIVER;L85D2LC_DSM,PSLF671	1	SA
..3		BN62-00410A	PAD GAP;UN85S9AF,SILICON,3.5mm,60mm,60mm	2	SNA
..3		BN63-10402A	SHIELD-T CON;UHD 85" ET-SPTE,T0.5,425,28	2	SNA
..3		BN67-00445A	RUBBER;RUBBER,SILICONE,SQUARE,40x10,3T,G	8	SNA
..3		BN67-00446A	RUBBER;RUBBER,SILICONE,SQUARE,60x60,3T,G	4	SNA
..3		BN68-05722A	LABEL-STICKER;ALL MODEL,POLYPROPYLENE,0.	1	SNA
..3		BN73-00279A	SILICON/RUBBER-GAPPAD;SILICON+POLYMER,15	8	SNA
..3		BN90-04494A	ASSY MISC-BLU;9K 85	1	SNA
...4		BN02-00146A	TAPE ETC-SHEET HOLD;Y13 85" UHD,PET,0.07	1	SNA
...4		BN02-00158A	TAPE ETC-M-MOLD;Y13 85" UHD,PET,0.07T,8,	2	SNA
...4		BN61-09005A	LGP-DIFFUSER PLATE;85inch,SELED Diffuse	1	SNA
...4		BN61-09175A	HOLDER-LED SCREW;85" UHD,BH,+,M3,L6,ZPC(90	SNA
...4		BN63-10486A	SHEET-DBEF;DBEF D2 400,SHEET*,0.4,1881.7	1	SNA
...4		BN63-11150A	SHEET-DIFFUSER;UTE34C-10P,SHEET*,0.3,188	1	SNA
...4		BN63-11399A	SHEET-PRISM;UTE34G-13LP,PET*,0.43,1879.0	1	SNA
...4		BN96-25635B	ASSY CHASSIS BOTTOM P;Y13 85" UHD	1	SNA
....5	SCREW	6001-002996	SCREW-MACHINE;FH,+,M3.0,L5.0,ZPC(BLK),SW	3	SA
....5	SCREW	6001-003016	SCREW-MACHINE;PWH,+,M3.0,L5.0,ZPC(WHT),S	38	SA
....5	SCREW	6001-003075	SCREW-MACHINE;BH,+,M3,L4,ZPC(WHT),SWRCH1	8	SA
....5		BN02-00147A	TAPE ETC-REFLECTOR UD A;Y13 85" UHD,PET,	4	SNA

Exploded Views and Parts List

Level	Loc.	Part Code	Description & Specification	Qty.	SA/SNA
....5		BN02-00149A	TAPE ETC-REFLECTOR LR;Y13 85" UHD,PET,0.	4	SNA
....5		BN02-00175A	TAPE ETC-DOUBLE;UHD 85",MT-200,T0.2,80,6	10	SNA
....5		BN02-00175B	TAPE ETC-DOUBLE;UHD 85",MT-200,T0.2,10,1	4	SNA
....5		BN02-00187A	TAPE ETC-CORNER;Y13 85" UHD,PET,0.1,13.	4	SNA
....5		BN02-00188A	TAPE ETC-GUIDE PLATE;Y13 85" UHD,PET,0.3	3	SNA
....5		BN02-00189A	TAPE ETC-PROTECT FFC;Y13 85" UHD,PORON,3	3	SNA
....5		BN02-00190A	TAPE ETC-PROTECT FFC;Y13 85" UHD,PET,0.1	2	SNA
....5		BN02-00204A	TAPE ETC-DOUBLE DR;Y13 85" UHD,MKT-Z100,	5	SNA
....5		BN02-00227A	TAPE THERMAL-GRAPHITE REAR;Y13 F9K SNB 8	1	SNA
....5		BN60-00782A	SPACER-D_PLATE;S9K 85",SILICON,15.0,GRAY	2	SNA
....5		BN61-07432A	HOLDER-LGP;SNB,EGI,3.0,3.9	2	SNA
....5		BN61-08990A	BRACKET-SUPPORT BOTTOM;UHD 85",EGI-SECC,	38	SNA
....5		BN61-09110A	BRACKET-STAND-OFF;H8.5, B6,H6,M3,GUIDE,H	2	SNA
....5		BN61-09111A	BRACKET-STAND-OFF;H8.5, B6,H6,M3,HEX ,SC	6	SNA
....5		BN61-09112A	BRACKET-STAND-OFF BOLT;H8.5, B6,H10.1,M8	4	SNA
....5		BN61-09113A	BRACKET-STAND-OFF NUT;H8.5, B6,H5,M8,HEX	4	SNA
....5		BN61-09114A	BRACKET-STAND-OFF;H8.5, B6,H12,M4, D1,HE	8	SNA
....5		BN61-09115A	HOLDER-CLAMP PCB;Y13 85" UHD,NYLON,NTR,N	60	SNA
....5		BN61-09119A	FRAME-BOTTOM UD;85" UHD,AL,19.2T,35,1873	2	SNA
....5		BN61-09120A	FRAME-BOTTOM LR;85" UHD,AL,19.2T,35,1053	2	SNA
....5		BN61-09127A	BRACKET-BASE BOTTOM;Y13 UHD 85",HONEY CO	1	SNA
....5		BN61-09293A	HOLDER-CLAMP CABLE A;Y13 85" UHD,NYLON,4	16	SNA
....5		BN61-09294A	HOLDER-CLAMP CABLE B;Y13 85" UHD,NYLON,2	3	SNA
....5		BN61-09295A	BRACKET-STAND-OFF;H8.5, B6,H5.5,M3, D8,H	2	SNA
....5		BN61-09481A	FRAME-GUIDE PLATE;S9K 85" AL,5.0T,14.4,1	3	SNA
....5		BN62-00349A	INSULATION-PD BOARD;Y13 85" UHD,PC-FILM(1	SNA
....5		BN62-00350A	INSULATION-S-PCB;Y13 85" UHD,MTU-100,0.1	4	SNA
....5		BN62-00384A	INSULATION-LD BOARD;Y13 85" UHD,PC-FILM(1	SNA
....5	CC02	BN64-02280A	CHASSIS-BOTTOM;UHD 85",AL 3104,T1.0,1061	1	SNA
....5		BN96-25806A	ASSY CABLE P-FFC CABLE;85inch UD TV,FFC,	1	SA
....5		BN96-25807A	ASSY CABLE P-FFC CABLE;85inch UD TV,FFC,	1	SA
....5		BN96-25808A	ASSY CABLE P-FFC CABLE;85inch UD TV,FFC,	1	SA
....5		BN96-25809A	ASSY CABLE P-FFC CABLE;85inch UD TV,FFC,	1	SA
....5		BN96-25810A	ASSY CABLE P-FFC CABLE;85inch UD TV,FFC,	1	SA
....5		BN96-25811A	ASSY CABLE P-FFC CABLE;85inch UD TV,FFC,	1	SA
....5		BN96-25812A	ASSY CABLE P-FFC CABLE;85inch UD TV,FFC,	1	SA
....5		BN96-25813A	ASSY CABLE P-FFC CABLE;85inch UD TV,FFC,	1	SA
....5		BN96-25814A	ASSY CABLE P-FFC CABLE;85inch UD TV,FFC,	1	SA
....5		BN96-25815A	ASSY CABLE P-FFC CABLE;85inch UD TV,FFC,	1	SA
...4		BN96-25636A	ASSY FRAME P-MOLD MIDDLE UD A;Y13 85" UH	2	SNA

Level	Loc.	Part Code	Description & Specification	Qty.	SA/SNA
....5		BN61-09116A	FRAME-MOLD MIDDLE UD (L);85" UHD,AL,9.8T	2	SNA
...4		BN96-25637A	ASSY FRAME P-MOLD MIDDLE UD B;Y13 85" UH	2	SNA
....5		BN60-00693A	SPACER-PANEL UD;Y13 85" UHD,SILICON*,942	2	SNA
....5		BN60-00694A	SPACER-PANEL GUIDE UD;Y13 85" UHD,SILICO	4	SNA
....5		BN60-00694B	SPACER-PANEL GUIDE UD;Y13 85" UHD,SILICO	4	SNA
....5		BN61-09117A	FRAME-MOLD MIDDLE UD (R);85" UHD,AL,9.8T	2	SNA
...4		BN96-25638A	ASSY FRAME P-MOLD MIDDLE LR;Y13 85" UHD	2	SNA
....5		6001-002912	SCREW-MACHINE;CH,+M3,L3,ZPC(BLK),SWRCH1	2	SNA
....5		BN60-00696A	SPACER-PANEL LE;Y13 85" UHD,SILICON*,105	2	SNA
....5		BN60-00697A	SPACER-PANEL GUIDE LR;Y13 85" UHD,SILICO	4	SNA
....5		BN61-09118A	FRAME-MOLD MIDDLE LR;85" UHD,AL,9.8T,11.	2	SNA
..3	MF10A	BN94-06203A	ASSY PCB MISC-FRC;UFSY	1	SA
...4		BN62-00273B	HEAT SINK-PS;TV Echo-P,A6063,5t,BLACK,40	2	SNA
...4	AH020	BN62-00419A	HEAT SINK;S9_FRC,A5052,11t,20mm,100mm,AN	1	SNA
...4	AH020	BN62-00420A	HEAT SINK;S9_FRC,A5052,11t,20mm,70mm,AN	1	SNA
...4	AH020	BN62-00421A	HEAT SINK;S9_FRC,A5052,11t,20mm,30mm,AN	1	SNA
...4		BN97-07835A	ASSY SMD;BN94-06203A	1	SNA
....5		0501-000445	TR-SMALL SIGNAL;KTC3875S-Y,NPN,150mW,SOT	7	SC
....5		0501-002080	TR-SMALL SIGNAL;2SC2412K,NPN,200mW,SC-59	1	SA
....5		Q505-001844	FET-SILICON;SI4435DDY-T1-GE3,P_30V,-11.	1	SA
....5		0505-002866	FET-SILICON;A03416,1,20V,6.5A,18Mohm,1.4	2	SA
....5		0801-002779	IC-CMOS LOGIC;74LVC1G125,BUS BUFFER,SOT-	1	SA
....5		0801-003292	IC-CMOS LOGIC;7WB66,Bus Switch MAB08A,8P	2	SA
....5		1006-004440	IC-LINE RECEIVER;THC63LVD1027,TSSOP,64P,	16	SNA
....5		1105-002442	IC-DDR3 SDRAM;K4B2G1646E-BCK0,DDR3 1600,	4	SNA
....5		1203-004363	IC-VOL. DETECTOR;SOT-23,3Z30,2.9x1.6mm,P	1	SA
....5		1203-006130	IC-POS.FIXED REG.;S-1172B25-U5T1G,SOT-	2	SA
....5		1203-006606	IC-DC/DC CONVERTER;AOZ1036PI,SO-8,3P4.8	4	SNA
....5		1203-007502	IC-DC/DC CONVERTER;AOZ3011PI,SO-8,8Z30,4	2	SA
....5	IC	1203-007547	IC-DC/DC CONVERTER;SN1202033DAPR,HTSSOP,	1	SA
....5		1204-003426	IC-VIDEO PROCESS;SENK82,HS BGA,734Q,31x3	2	SA
....5		1205-004688	IC-BUFFER;THCV216,TSSOP,64Z30,8.1*17,PLA	8	SA
....5		1205-004689	IC-BUFFER;THCV215,TSSOP,64Z30,17x6.1x1.2	16	SA
....5		2007-000052	R-CHIP;10Kohm,1%,1/10W,TP,1608	2	SA
....5		2007-000084	R-CHIP;4.7Kohm,5%,1/10W,TP,1608	1	SA
....5		2007-000138	R-CHIP;100ohm,5%,1/16W,TP,1005	3	SA
....5		2007-000140	R-CHIP;1Kohm,5%,1/16W,TP,1005	20	SA
....5		2007-000148	R-CHIP;10Kohm,5%,1/16W,TP,1005	13	SA
....5		2007-000149	R-CHIP;12Kohm,5%,1/16W,TP,1005	2	SA
....5		2007-000170	R-CHIP;1Mohm,5%,1/16W,TP,1005	1	SA

Exploded Views and Parts List

Level	Loc.	Part Code	Description & Specification	Qty.	SA/SNA
....5		2007-000614	R-CHIP;24Kohm,1%,1/10W,TP,1608	2	SA
....5		2007-007107	R-CHIP;100Kohm,1%,1/16W,TP,1005	6	SA
....5		2007-007137	R-CHIP;1.2Kohm,1%,1/16W,TP,1005	1	SA
....5		2007-007306	R-CHIP;100ohm,1%,1/16W,TP,1005	212	SA
....5		2007-007309	R-CHIP;12Kohm,1%,1/16W,TP,1005,0.35	1	SA
....5		2007-007311	R-CHIP;22Kohm,1%,1/16W,TP,1005	2	SA
....5		2007-007312	R-CHIP;20Kohm,1%,1/16W,TP,1005	1	SA
....5		2007-007318	R-CHIP;1Kohm,1%,1/16W,TP,1005	19	SA
....5		2007-007517	R-CHIP;240ohm,1%,1/16W,TP,1005	4	SNA
....5		2007-007528	R-CHIP;1.5Kohm,1%,1/16W,TP,1005	2	SA
....5		2007-007538	R-CHIP;56Kohm,1%,1/16W,TP,1005	2	SA
....5		2007-007721	R-CHIP;560ohm,1%,1/10W,TP,1608	2	SA
....5		2007-008117	R-CHIP;27Kohm,1%,1/16W,TP,1005	2	SA
....5		2007-008263	R-CHIP;5Kohm,1%,1/16W,TP,1005	1	SA
....5		2007-008275	R-CHIP;30Kohm,1%,1/16W,TP,1005	7	SNA
....5		2007-008391	R-CHIP;6.34Kohm,1%,1/16W,TP,1005	1	SA
....5		2011-001262	R-NETWORK;22ohm,5%,1/16W,L,CHIP,8P,TP2.	8	SA
....5	AD480	2203-000154	C-CER,CHIP;10nF,10%,16V,X7R,TP,1005	288	SA
....5	AD480	2203-000438	C-CER,CHIP;1nF,10%,50V,X7R,TP,1005	7	SA
....5	AD480	2203-000489	C-CER,CHIP;2.2nF,10%,50V,X7R,TP,1005	6	SA
....5	AD480	2203-000627	C-CER,CHIP;0.022nF,5%,50V,C0G,TP,1005	2	SA
....5	AD480	2203-001634	C-CER,CHIP;33nF,10%,50V,X7R,TP,1608	1	SA
....5	AD480	2203-002050	C-CER,CHIP;47nF,10%,50V,X7R,TP,1608	2	SA
....5	AD480	2203-002285	C-CER,CHIP;10nF,10%,50V,X7R,TP,1005	6	SNA
....5	AD480	2203-005249	C-CER,CHIP;100nF,10%,50V,X7R,TP,1608	6	SA
....5	AD480	2203-006158	C-CER,CHIP;100nF,10%,16V,X7R,TP,1005,0.5	48	SA
....5	AD480	2203-006378	C-CER,CHIP;4700nF,10%,6.3V,X5R,TP,1608	80	SA
....5	AD480	2203-006474	C-CER,CHIP;22000nF,20%,6.3V,X5R,TP,2012	23	SA
....5	AD480	2203-006698	C-CER,CHIP;1000nF,10%,25V,X7R,TP,1608,0.	2	SA
....5	AD480	2203-006741	C-CER,CHIP;47nF,10%,25V,X5R,TP,1608,0.8	1	SNA
....5	AD480	2203-006890	C-CER,CHIP;10000nF,20%,6.3V,X5R,TP,1608	190	SA
....5	AD480	2203-007513	C-CER,CHIP;10000nF,10%,10V,X5R,TP,1608,0	4	SA
....5		2409-001118	C-POLYMER,CHIP;47uF,20%,10V,WT,TP,3.5X2	2	SA
....5		2703-003790	INDUCTOR-SMD;4.7uH,20%,8080,0.025ohm,450	2	SA
....5		2703-004145	INDUCTOR-SMD;2.2uH,20%,6.5 x 6.9mm,0.20o	6	SNA
....5		2801-003772	CRYSTAL-SMD;12MHz,30ppm,28-AAN,20pF,50oh	1	SA
....5		3708-003043	CONNECTOR-FPC/FFC/PIC;80P,0.5mm,SMD-A+DI	1	SA
....5		3711-002050	CONNECTOR-HEADER;BOX,10P,1R,1.25mm,SMD-A	2	SNA
....5	EH01	3711-005925	HEADER-BOARD TO CABLE;BOX,51P,1R,0.5mm,S	3	SA
....5	EH01	3711-006395	HEADER-BOARD TO CABLE;BOX,41P,2R,0.5 mm,	2	SA

Level	Loc.	Part Code	Description & Specification	Qty.	SA/SNA
....5	EH01	3711-007742	HEADER-BOARD TO CABLE;BOX,20P,2R,2mm,ANG	1	SA
....5	EH01	3711-007769	HEADER-BOARD TO CABLE;BOX,12P,1R,2.00mm,	1	SA
....5		3711-007839	CONNECTOR-HEADER;BOX,15P,1R,1.25mm,SMD-A	1	SA
....5	EH01	3711-008441	HEADER-BOARD TO CABLE;BOX,24P,2R,2mm,ANG	1	SA
....5		BN41-01980A	PCB MAIN;UHD,FR-4,8,1.6T,330*190,1	1	SNA
....5		BN97-07327A	ASSY MICOM;T-NT900M-0025,2013.03.06	1	SNA
....5		BN97-07328A	ASSY MICOM;T-NT900S-0025,2013.03.06	1	SNA
....6		1107-002223	IC-NOR FLASH;W25Q16DVSSIG,16Mbit,2Mbitx8	1	SNA
..3	FL06	BN96-22337M	ASSY CABLE P-FFC;S9,FFC,2H,261mm,51P,Fol	1	SA
..3	FL06	BN96-22337P	ASSY CABLE P-FFC;S9,FFC,2H,261mm,51P,fol	1	SA
..3	OC-TC	BN96-24429D	ASSY CABLE P-FFC;E7000,FFC,60mm 1,80P	8	SNA
..3		BN96-25500A	ASSY OPEN CELL;LSF850FJ01-A,10bit,85 inch	1	SNA
...4		BN81-07433A	A/S-ADHESIVE-A.C.F(CF);ADHESIVE-A.C.F,1-	1	SNA
...4		BN81-07434A	A/S-ADHESIVE-A.C.F(CP);ADHESIVE-A.C.F,1-	1	SNA
...4		BN81-08018B	A/S-IC DRIVER SOURCE;IC DRIVER SOURCE,13	1	SNA
...4		BN81-08019B	A/S-ASSY PCB-SOURCE BACK LEFT(D);ASSY PC	1	SNA
...4		BN81-08020B	A/S-ASSY PCB-SOURCE BACK RIGHT(D);ASSY P	1	SNA
...4		BN81-08021B	A/S-ASSY PCB-SOURCE FRONT LEFT(D);ASSY P	1	SNA
...4		BN81-08022B	A/S-ASSY PCB-SOURCE FRONT RIGHT(D);ASSY	1	SNA
...4		BN81-08082A	A/S-IC DRIVER GATE;IC DRIVER GATE	1	SNA
...4		BN81-08083A	A/S-POLARIZER-C/F;8-POLARIZER-C/F	1	SNA
...4		BN81-08084A	A/S-POLARIZER-TFT;POLARIZER-TFT	1	SNA
...4		BN81-08085B	A/S-ASSY PCB-SOURCE BACK LEFT(U);ASSY PC	1	SNA
...4		BN81-08086B	A/S-ASSY PCB-SOURCE BACK RIGHT(U);ASSY P	1	SNA
...4		BN81-08087B	A/S-ASSY PCB-SOURCE FRONT LEFT(U);ASSY P	1	SNA
...4		BN81-08088B	A/S-ASSY PCB-SOURCE FRONT RIGHT(U);ASSY	1	SNA
..3	TC01A	BN96-25633A	ASSY CHASSIS TOP P;Y13 85" UHD	1	SNA
...4		BN60-00692A	SPACER-TOP UD;Y13 85" UHD,PORON*,914,BLK	4	SNA
...4		BN60-00695A	SPACER-TOP LR;Y13 85" UHD,PORON*,1056,BL	4	SNA
...4	AS080	BN63-10039B	SHEET-COVER;Y13 85" UHD,SILICONE,T0.052,	6	SNA
...4	AC157	BN64-02281A	CHASSIS-TOP,UHD 85",STAINLESS-ST5430,T0.	1	SNA
..3	TCON	BN96-25699A	ASSY T CON P;LSF850FJ01-S,10bit,85 inch,	1	SA
..3	TCON	BN96-25700A	ASSY T CON P;LSF850FJ01-T,10bit,85 inch,	1	SA
..3		BN96-25701A	ASSY MISC P-LED;85inch LED Bar,144ea, Di	10	SNA
..3		BN96-26023B	ASSY COVER P-DECO;S9 UHD 85",AL6063,extr	1	SA
...4		0203-001598	TAPE-FILAMENT;#8915,0.15,12,55000,CLR	1	SNA
...4		6001-002610	SCREW-MACHINE;BH,+,M4,L6,ZPC(BLK),SWRCH1	12	SA
...4		6001-002617	SCREW-MACHINE;CH,+,M3,L4,NI PLT (White),	28	SNA
...4	SCREW	6003-001591	SCREW-TAPTYPE;FH,+,B,M2,L5,NI PLT,SWRCH1	2	SNA
...4	AS108	AK63-00946E	SHEET-PROTECTION;UN85S9AF(S9000_85inch),	6	SNA

Exploded Views and Parts List

Level	Loc.	Part Code	Description & Specification	Qty.	SA/SNA
...4		BN02-00156A	TAPE ETC-INSULATION PCB L;Y13 85" UHD,PE	2	SNA
...4		BN02-00157A	TAPE ETC-INSULATION PCB R;Y13 85" UHD,PE	2	SNA
...4		BN02-00192A	TAPE ETC-SIDE;Y13 85" UHD,PORON,0.2T,20,	4	SNA
...4		BN02-00192B	TAPE ETC-SIDE;Y13 85" UHD,PORON,0.2T,20,	6	SNA
...4		BN60-00162W	SPACER-FOAM;FOAM,30000mm,DARK GRAY,1T,10	6	SNA
...4		BN61-09200A	BRACKET-DECO CORNER;S9 UHD 85",SUS,2.0,6	2	SNA
...4		BN61-09221A	MAGNET-A;S9 UHD 85",MAGNET,10.0,5.0	16	SNA
...4		BN61-09395A	BRACKET-STAND-OFF;H8.5, B6,H2.7,WHT M4	16	SNA
...4		BN63-10652A	COVER-DECO TOP;S9 UHD 85",AL6063,4242.95	1	SNA
...4		BN63-10653A	COVER-DECO BOT;S9 UHD 85",AL6063,1716.7,	1	SNA
...4		BN63-10665A	COVER-DECO REAR TOP;S9 UHD 85",AL6063,18	1	SNA
...4		BN63-10666A	COVER-DECO REAR BOT;S9 UHD 85",AL6063,18	1	SNA
...4		BN63-10667A	COVER-DECO REAR TOP-L;S9 UHD 85",AL6063,	1	SNA
...4		BN63-10668A	COVER-DECO REAR TOP-R;S9 UHD 85",AL6063,	1	SNA
...4		BN63-10669A	COVER-DECO REAR BOT-L;S9 UHD 85",AL6063,	1	SNA
...4		BN63-10670A	COVER-DECO REAR BOT-R;S9 UHD 85",AL6063,	1	SNA
...4	FB05A	BN96-27298A	ASSY BOARD P;UN85S9AFXZA,SUNGJI,FR-4,Bas	1	SC
...5		0203-001598	TAPE-FILAMENT;#8915 0.15,12,55000,CLR	0	SNA
...5		BN61-09245A	HOLDER-SENSOR;S9 UHD 85",ABS,BK0007(BK23	1	SNA
...5	FK08	BN64-02332A	KNOB-POWER;S9 UHD 85INCH,ABS,HB,NC0001	1	SNA
...3	FL06	BN96-26511A	ASSY CABLE P-FFC;S9,FFC,2H,261mm,41P,fol	1	SA
...3	FL06	BN96-26511B	ASSY CABLE P-FFC;S9,FFC,2H,261mm,41P,fol	1	SA
...3	FB05A	BN96-27945A	ASSY BOARD P;UN85S9AFXZA,SUNGJI,FR-4,Bas	1	SA
1	M0017	BN91-12175Z	ASSY CHASSIS;UF9Y	1	SNA
.2	MJ01A	BN94-07092K	ASSY PCB MISC-JACKPACK;UF9000,ASIA	1	SA
...3		BN97-07926K	ASSY SMD;BN94-07092K	1	SNA
...4		0404-001404	DIODE-SCHOTTKY;BAT721C,40V,200mA,SOT-23	3	SA
...4		0501-000279	TR-SMALL SIGNAL;KSA1182-Y,PNP,150mW,SOT-	1	SA
...4		0904-002631	IC-USC;QFN,28P,5.0mm X 5.0mm,12MHz,TP,PL	1	SA
...4		1001-001820	IC-VIDEO SWITCH;SiI9575,SOP,176Z30,20X20	1	SNA
...4		1002-001749	IC-D/A CONVERTER;PCM5101A,24,TSOP,20P,6	1	SA
...4		1203-004363	IC-VOL. DETECTOR;SOT-23,3Z80,2.9x1.6mm,P	1	SA
...4		1203-006017	IC-VOL. DETECTOR;RT9824G18,TSOT23,8P,2.9	1	SA
...4		1203-006341	IC-DC/DC CONVERTER;TPS63020,SON-14,14P,4	1	SA
...4		1203-007238	IC-PWM CONTROLLER;TPS54427,DDA,8P,4.8x3.	2	SNA
...4		1203-007707	IC-POSI.ADJUST REG.;AP7362ADJ,SO-8EP,8Z3	1	SA
...4		1203-007757	IC-POSI.ADJUST REG.;TPS7A7001DDAR,SOIC-8	1	SA
...4		1205-004704	IC-SWITCH;AP2151W-7,SOT25,5Z30,3.1*3.0mm	1	SA
...4		1205-004936	IC-RECEIVER;TI34B1577R,TQFP,100P,14x14mm	1	SA
...4		2007-000153	R-CHIP;22Kohm,5%,1/16W,TP,1005	4	SA

Level	Loc.	Part Code	Description & Specification	Qty.	SA/SNA
...4		2007-000155	R-CHIP;27Kohm,5%,1/16W,TP,1005	1	SA
...4		2007-000775	R-CHIP;33Kohm,5%,1/16W,TP,1005	1	SA
...4		2007-001116	R-CHIP;680ohm,1%,1/10W,TP,1608	1	SA
...4		2007-001168	R-CHIP;75ohm,5%,1/4W,TP,3216	3	SA
...4		2007-001284	R-CHIP;4.7ohm,5%,1/16W,TP,1005	8	SNA
...4		2007-001308	R-CHIP;200ohm,5%,1/16W,TP,1005	1	SA
...4		2007-003015	R-CHIP;2.2ohm,5%,1/16W,TP,1005	1	SA
...4		2007-007001	R-CHIP;3.9Kohm,5%,1/16W,TP,1005	1	SA
...4		2007-007004	R-CHIP;12Kohm,1%,1/10W,TP,1608	1	SA
...4		2007-007136	R-CHIP;4.7Kohm,1%,1/16W,TP,1005	3	SA
...4		2007-007137	R-CHIP;1.2Kohm,1%,1/16W,TP,1005	1	SA
...4		2007-007305	R-CHIP;120ohm,1%,1/16W,TP,1005	2	SNA
...4		2007-007311	R-CHIP;22Kohm,1%,1/16W,TP,1005	1	SA
...4		2007-007313	R-CHIP;6.8Kohm,1%,1/16W,TP,1005	1	SA
...4		2007-007314	R-CHIP;5.6Kohm,1%,1/16W,TP,1005	1	SA
...4		2007-007480	R-CHIP;130Kohm,1%,1/16W,TP,1005	2	SA
...4		2007-007720	R-CHIP;300Kohm,1%,1/10W,TP,1608	1	SA
...4		2007-007736	R-CHIP;510Kohm,1%,1/10W,TP,1608	1	SA
...4		2007-007798	R-CHIP;10ohm,1%,1/16W,TP,1005	1	SA
...4		2007-008293	R-CHIP;475ohm,1%,1/16W,TP,1005	2	SA
...4		2007-008391	R-CHIP;6.34Kohm,1%,1/16W,TP,1005	1	SA
...4		2007-009138	R-CHIP;33Kohm,1%,1/16W,TP,1005	1	SA
...4		2011-001526	R-NETWORK;1Kohm,5%,1/16W,L,CHIP-V,4P,TP,	1	SNA
...4		2011-001589	R-NETWORK;0ohm,5%,1/16W,L,CHIP-V,4P,TP,1	4	SNA
...4		2011-001590	R-NETWORK;47Kohm,5%,1/16W,L,CHIP-V,4P,TP	1	SNA
...4	AD480	2203-000278	C-CER,CHIP;0.01nF,0.5pF,50V,C0G,TP,1005	4	SA
...4	AD480	2203-000585	C-CER,CHIP;0.22nF,10%,50V,X7R,TP,1005	2	SA
...4	AD480	2203-000812	C-CER,CHIP;0.033nF,5%,50V,C0G,TP,1005	9	SA
...4	AD480	2203-001211	C-CER,CHIP;8.2nF,10%,50V,X7R,TP,1608	1	SA
...4	AD480	2203-001697	C-CER,CHIP;0.082nF,5%,50V,NP0,TP,1608	1	SA
...4	AD480	2203-005642	C-CER,CHIP;0.22nF,5%,50V,NP0,TP,1005	1	SA
...4	AD480	2203-005659	C-CER,CHIP;0.18nF,5%,50V,NP0,TP,1005	1	SA
...4	AD480	2203-005024	C-CER,CHIP;2200nF,10%,10V,X7R,TP,2012	2	SNA
...4	AD480	2203-006126	C-CER,CHIP;47nF,10%,16V,X7R,TP,1005	1	SNA
...4	AD480	2203-006307	C-CER,CHIP;1000nF,10%,25V,X5R,TP,2012	1	SNA
...4	AD480	2203-006324	C-CER,CHIP;2200nF,10%,10V,X5R,TP,1608	4	SA
...4	AD480	2203-006399	C-CER,CHIP;1000nF,10%,6.3V,X5R,TP,1005	1	SA
...4	AD480	2203-006992	C-CER,CHIP;0.33nF,5%,50V,C0G,TP,1005	2	SNA
...4	AD480	2203-007270	C-CER,CHIP;10000nF,10%,10V,X5R,TP,1608,0	1	SNA
...4	AD480	2203-007563	C-CER,CHIP;1000nF,10%,10V,X5R,TP,1005	1	SA

Exploded Views and Parts List

Level	Loc.	Part Code	Description & Specification	Qty.	SA/SNA
...4	AD480	2203-007569	C-CER,CHIP;0.033nF,5%,50V,C0G,TP,1005	4	SA
...4		2703-000158	INDUCTOR-SMD;1uH,10%,2012,.4Ohm,50mA,45,	3	SA
...4		2703-001229	INDUCTOR-SMD;2.2uH,10%,1608,1.15Ohm,15mA	1	SA
...4		2703-001938	INDUCTOR-SMD;56nH,5%,1005,1.5Ohm,200mA,1	3	SA
...4		2801-000102	CRYSTAL-SMD;12MHz,30ppm,12pF,100ohm,TP	1	SA
...4		2801-004621	CRYSTAL-SMD;27MHz,15ppm,-,14pF,30ohm,TP	2	SA
...4		2801-004813	CRYSTAL-SMD;24MHz,50ppm,8pF,100ohm,TP	1	SA
...4		2801-004814	CRYSTAL-SMD;25MHz,50ppm,8pF,100ohm,TP	1	SA
...4		2801-005291	CRYSTAL-SMD;12MHz,30ppm,4 PIN,16pF,100Oh	1	SNA
...4		2801-005292	CRYSTAL-SMD;24.576MHz,30ppm,4 PIN,12pF,7	1	SA
...4		2901-001506	FILTER-EMI SMD;5V,0.13A,0pF,2x1x0.5mm,TP	2	SA
...4		3404-001379	SWITCH-TACT;12V,50mA,250gf,4.9x4.9x1.5mm	1	SA
...4		3701-001861	CONNECTOR-HDMI;19P,2ROW,FEMALE,SMD-A,AU	1	SA
...4		3707-001104	CONNECTOR-OPTICAL,SMD-A(Ultra Slim),SPDI	1	SA
...4		3710-003900	SOCKET-INTERFACE;34P,2R,0.5mm,(SMD-A,AU,B	1	SA
...4		3722-003199	JACK-MODULAR;8P/8C,ANGLE,AU,1P	1	SA
...4		3722-003665	JACK-PHONE;1P/7C,AU/NI,YEL,ANGLE	2	SA
...4		3722-003666	JACK-PHONE;1P/7C,AU/NI,GRN,ANGLE	1	SA
...4		BN13-00063A	PLD;MAXQ610J,QFN,44	1	SNA
...4	ET01	BN40-00275A	TUNER;DNLS403CH105B,DNLS403CH105B,DVB-T2	1	SA
...4		BN41-02115C	PCB MAIN;UHD,FR-4,8,C,1.6T,350*100,1	1	SNA
...4		BN97-07372A	ASSY MICOM;T-FOXDEUS6-2005,2013.10.23	1	SNA
...4		BN97-07922A	ASSY MICOM;8051Fw-Fx-v1.13,2013.10.25	1	SNA
...5		1107-002226	IC-NOR FLASH;W25Q40CLSSIP,4Mbit,SOIC,8P,	1	SNA
.2	M0014	BN94-07300P	ASSY PCB MAIN;UF9Y	1	SA
...3		0202-001608	SOLDER-WIRE FLUX;LFC7-107,D0.8,99.3Sn/0.	0	SNA
...3		BN62-00273B	HEAT SINK-PS;TV Echo-PA6063,5t,BLACK,40	4	SNA
...3		BN62-00265A	HEAT SINK-PS;UN46ESF8000AFA1050,ANODIZI	1	SNA
...3		BN62-00372A	HEAT SINK-PS;F7000/8000,A5052*,BLACK,38*	1	SNA
...3		BN97-07384A	ASSY DRM-KEY;HDCP2.0 / MIRACAST / MAC /	1	SNA
...4		BN46-00109H	KEY CODE-CERTIFI;MAC,TV/AV,General	1	SNA
...4		BN46-00110N	KEY CODE-CERTIFI;MIRACAST,TV,X12 /X13	1	SNA
...4		BN46-00340A	KEY CODE-CERTIFI;UHD TV,SP9000(SerDes),HD	1	SNA
...3		BN97-07932Z	ASSY SMD;BN94-07300P	1	SNA
...4		0202-001899	SOLDER-CREAM;M705,GRN360-K2-VT,25-36um,S	5	SNA
...4	DS01A	0401-001056	DIODE-SWITCHING;MMBD4148SE,100V,200mA,SO	3	SA
...4		0403-001552	DIODE-ZENER;DDZ16,15.69/16.51V,500mW,SOD	1	SA
...4		0403-001779	DIODE-ZENER;MMSZ5234BT1G,5.89/6.51V,500m	3	SA
...4		0403-001785	DIODE-ZENER;NZH5V1B,4.94/5.2V,500mW,SOD-	1	SA
...4		0406-001200	DIODE-TVS;RCLAMP0504F,6/-/V,150W,SC-70	3	SA

Level	Loc.	Part Code	Description & Specification	Qty.	SA/SNA
...4		0501-000445	TR-SMALL SIGNAL;KTC3875S-Y,NPN,150mW,SOT	6	SC
...4		0504-000126	TR-DIGITAL;KSR1101,NPN,200mW,4.7K/4.7Koh	2	SA
...4		0505-000110	FET-SILICON;2N7002,N,60V,115mA,7.5ohm,0.	1	SA
...4		0505-002598	FET-SILICON;AP2317GN,P,-20V,-4.2A,0.052o	1	SA
...4		0801-002628	IC-CMOS LOGIC;7SZ08,2-INPUT AND GATE,SC-	1	SA
...4		0801-002780	IC-CMOS LOGIC;74LVC1G17,SCHMITT-TRIGGER	2	SA
...4		0801-003330	IC-CMOS LOGIC;Octal buffer,DQFN,20P,4.5x	2	SA
...4		0801-003408	IC-CMOS LOGIC;74AUP1G32GW,2 input OR Gat	1	SNA
...4		0801-003424	IC-CMOS LOGIC;74VHCV541,Octal schmitt bu	1	SA
...4		0904-002714	IC-USC;QFN,28P,5.0mm X 5.0mm,12MHz,TP,PL	1	SA
...4		1001-001545	IC-ANALOG MULTIPLEX;TS3USB221ERSER,R-PQF	4	SA
...4		1001-001686	IC-ANALOG MULTIPLEX;74LV4052,CMOS,TTSOP,	2	SA
...4		1001-001828	IC-ANALOG SWITCH;TS3V330PWR,TSSOP,16P,6.	1	SA
...4		1006-001479	IC-BUS TRANSCEIVER;SN74AVC81245PWR,TSSOP	6	SA
...4		1006-001509	IC-DRIVER/RECEIVER;MAX3222ECPWR,TSSOP,20	1	SA
...4		1103-001564	IC-EEPROM;S-24C512CI-J800,512Kbit,64Kx8,	1	SA
...4		1105-002693	IC-DDR3 SDRAM;K4B8G1646B-MCK0,DDR3-1600,	2	SNA
...4		1105-002442	IC-DDR3 SDRAM;K4B2G1646E-BCK0,DDR3 1600,	4	SNA
...4		1201-003528	IC-AUDIO AMP;NTP7412S2,MLF,48Z30,7x7mm,D	3	SNA
...4		1203-006109	IC-POSI.FIXED REG.;S-1206B33-M3T1G,SOT-2	1	SA
...4		1203-006130	IC-POSI.FIXED REG.;S-1171B25-U5T1G,SOT-8	2	SA
...4		1203-006135	IC-POSI.FIXED REG.;AP1117D-33-GZ-13-89,T	2	SA
...4		1203-006136	IC-POSI.FIXED REG.;AP1117D-18-GZ-13-89,T	3	SA
...4		1203-007018	IC-DC/DC CONVERTER;TPS54821RHL,QFN,14P,3	1	SA
...4		1203-007242	IC-POSI.ADJUST REG.;G2992BP1HU,SOP-8,8P,	1	SA
...4		1203-007501	IC-DC/DC CONVERTER;AOZ3011PI,SO-8,8Z30,4	6	SA
...4	IC	1203-007547	IC-DC/DC CONVERTER;SN1202033DAPR,HTSSOP,	2	SA
...4		1203-007552	IC-DC/DC CONVERTER;TPS56921PWPR,HTSSOP,2	2	SA
...4		1203-007728	IC-VOL. DETECTOR;RT9831GQW,QW;WQFN-20L	1	SA
...4		1203-007755	IC-DC/DC CONVERTER;TPS65253RHP,VQFN,28P,	1	SA
...4		1204-003401	IC-VIDEO PROCESS;SDP1201,FCBGA,756Z30,27x	2	SA
...4		1204-003402	IC-DECODER;SDP1202,FCBGA,784Z30,27x27mm,	1	SA
...4	IC	1205-004385	IC-ETHERNET CONTROLLER;RTL8201F-VB-CGT,Q	2	SA
...4		1205-004692	IC-SWITCH;TPS2069CDEVR,SOT-23,5P,5.0x3.1	2	SNA
...4		1205-004853	IC-BUFFER;DS15BR400TSQ/NOBP,WQFN,32P,5x5	3	SA
...4		1205-004855	IC-SWITCH;TPS25910RSAR,QFN,16P,4x4x0.8mm	1	SA
...4	IS01	1209-002183	IC-SENSOR;S-5851AAA-M6T1U,SOT,6Z30,2.9x1	1	SA
...4		1485-001271	VARISTOR;35V,20Vdc,5A,1.0x0.5x0.6mm,TP,1	1	SA
...4		2007-000039	R-CHIP;0ohm,1%,1/10W,TP,1608	2	SA
...4		2007-000041	R-CHIP;475ohm,1%,1/10W,TP,1608	2	SA

Exploded Views and Parts List

Level	Loc.	Part Code	Description & Specification	Qty.	SA/SNA
...4		2007-000052	R-CHIP;10Kohm,1%,1/10W,TP,1608	1	SA
...4		2007-000060	R-CHIP;100Kohm,1%,1/10W,TP,1608	9	SA
...4		2007-000070	R-CHIP;0ohm,5%,1/10W,TP,1608	6	SA
...4		2007-000078	R-CHIP;1Kohm,5%,1/10W,TP,1608	1	SA
...4		2007-000080	R-CHIP;2Kohm,5%,1/10W,TP,1608	7	SA
...4		2007-000084	R-CHIP;4.7Kohm,5%,1/10W,TP,1608	2	SA
...4		2007-000137	R-CHIP;2Kohm,5%,1/16W,TP,1005	1	SA
...4		2007-000138	R-CHIP;100ohm,5%,1/16W,TP,1005	51	SA
...4		2007-000143	R-CHIP;4.7Kohm,5%,1/16W,TP,1005	58	SA
...4		2007-000148	R-CHIP;10Kohm,5%,1/16W,TP,1005	7	SA
...4		2007-000157	R-CHIP;47Kohm,5%,1/16W,TP,1005	2	SA
...4		2007-000162	R-CHIP;100Kohm,5%,1/16W,TP,1005	4	SA
...4		2007-000170	R-CHIP;10ohm,5%,1/16W,TP,1005	6	SA
...4		2007-000171	R-CHIP;9ohm,5%,1/16W,TP,1005	185	SA
...4		2007-000172	R-CHIP;10ohm,5%,1/16W,TP,1005	2	SA
...4		2007-000173	R-CHIP;22ohm,5%,1/16W,TP,1005	42	SA
...4		2007-000174	R-CHIP;47ohm,5%,1/16W,TP,1005	26	SA
...4		2007-000108	R-CHIP;1.1Kohm,1%,1/10W,TP,1608	1	SA
...4		2007-000219	R-CHIP;1.2Kohm,1%,1/10W,TP,1608	1	SA
...4		2007-000336	R-CHIP;120Kohm,1%,1/10W,TP,1608	1	SA
...4		2007-000343	R-CHIP;120ohm,1%,1/10W,TP,1608	2	SA
...4		2007-000512	R-CHIP;2.4Kohm,5%,1/10W,TP,1608	1	SA
...4		2007-000536	R-CHIP;200ohm,1%,1/10W,TP,1608	3	SA
...4		2007-000597	R-CHIP;27ohm,1%,1/10W,TP,1608	1	SNA
...4		2007-000640	R-CHIP;270ohm,1%,1/10W,TP,1608	1	SA
...4		2007-000651	R-CHIP;27Kohm,1%,1/10W,TP,1608	1	SA
...4		2007-000683	R-CHIP;3.3Kohm,1%,1/10W,TP,1608	3	SA
...4		2007-000695	R-CHIP;3.3ohm,5%,1/10W,TP,1608	12	SNA
...4		2007-000708	R-CHIP;3.9Kohm,1%,1/10W,TP,1608	2	SA
...4		2007-000726	R-CHIP;300ohm,1%,1/10W,TP,1608	1	SA
...4		2007-000772	R-CHIP;33Kohm,1%,1/10W,TP,1608	4	SA
...4		2007-000803	R-CHIP;36Kohm,1%,1/10W,TP,1608	2	SA
...4		2007-000816	R-CHIP;390Kohm,1%,1/10W,TP,1608	1	SA
...4		2007-000828	R-CHIP;39Kohm,1%,1/10W,TP,1608	3	SA
...4		2007-000857	R-CHIP;4.3Kohm,1%,1/10W,TP,1608	5	SA
...4		2007-000869	R-CHIP;4.7Kohm,1%,1/10W,TP,1608	5	SA
...4		2007-000932	R-CHIP;470ohm,5%,1/16W,TP,1005	1	SA
...4		2007-001068	R-CHIP;6.8Kohm,1%,1/10W,TP,1608	2	SA
...4		2007-001090	R-CHIP;620ohm,1%,1/10W,TP,1608	1	SA
...4		2007-001156	R-CHIP;750ohm,5%,1/16W,TP,1005	1	SNA

Level	Loc.	Part Code	Description & Specification	Qty.	SA/SNA
...4		2007-001313	R-CHIP;330ohm,5%,1/16W,TP,1005	3	SA
...4		2007-001319	R-CHIP;1.2Kohm,5%,1/16W,TP,1005	1	SA
...4		2007-001325	R-CHIP;3.3Kohm,5%,1/16W,TP,1005	3	SA
...4		2007-002425	R-CHIP;1ohm,5%,1/10W,TP,1608	6	SA
...4		2007-002906	R-CHIP;200Kohm,1%,1/10W,TP,1608	1	SA
...4		2007-007107	R-CHIP;100Kohm,1%,1/16W,TP,1005	11	SA
...4		2007-007132	R-CHIP;15Kohm,1%,1/16W,TP,1005	4	SA
...4		2007-007134	R-CHIP;39Kohm,1%,1/16W,TP,1005	3	SA
...4		2007-007135	R-CHIP;18Kohm,1%,1/16W,TP,1005	2	SNA
...4		2007-007138	R-CHIP;27Kohm,1%,1/16W,TP,1005	1	SA
...4		2007-007139	R-CHIP;47Kohm,1%,1/16W,TP,1005	13	SA
...4		2007-007142	R-CHIP;10Kohm,1%,1/16W,TP,1005	33	SA
...4		2007-007156	R-CHIP;1ohm,5%,1/16W,TP,1005	10	SA
...4		2007-007238	R-CHIP;8.25Kohm,1%,1/10W,TP,1608	1	SA
...4		2007-007306	R-CHIP;100ohm,1%,1/16W,TP,1005	10	SA
...4		2007-007312	R-CHIP;20Kohm,1%,1/16W,TP,1005	5	SA
...4		2007-007615	R-CHIP;3.9Kohm,1%,1/16W,TP,1005	1	SA
...4		2007-007316	R-CHIP;3.3Kohm,1%,1/16W,TP,1005	3	SNA
...4		2007-007317	R-CHIP;2.2Kohm,1%,1/16W,TP,1005	1	SA
...4		2007-007318	R-CHIP;1Kohm,1%,1/16W,TP,1005	36	SA
...4		2007-007439	R-CHIP;17ohm,1%,1/10W,TP,1608	1	SA
...4		2007-007470	R-CHIP;7.5Kohm,1%,1/16W,TP,1005	2	SA
...4		2007-007517	R-CHIP;240ohm,1%,1/16W,TP,1005	16	SNA
...4		2007-007528	R-CHIP;1.5Kohm,1%,1/16W,TP,1005	6	SA
...4		2007-007617	R-CHIP;2.49Kohm,1%,1/10W,TP,1608	2	SA
...4		2007-007651	R-CHIP;9.1Kohm,1%,1/10W,TP,1608	1	SA
...4		2007-007668	R-CHIP;68.1Kohm,1%,1/10W,TP,1608	1	SA
...4		2007-007698	R-CHIP;5.1Kohm,1%,1/16W,TP,1005	4	SNA
...4		2007-007766	R-CHIP;2Kohm,1%,1/16W,TP,1005	40	SA
...4		2007-007861	R-CHIP;62Kohm,1%,1/16W,TP,1005	2	SA
...4		2007-007981	R-CHIP;180Kohm,1%,1/16W,TP,1005	1	SNA
...4		2007-007997	R-CHIP;1ohm,1%,1/10W,TP,1608	9	SA
...4		2007-008015	R-CHIP;75ohm,1%,1/16W,TP,1005	3	SA
...4		2007-008133	R-CHIP;56.2Kohm,1%,1/10W,TP,1608	1	SNA
...4		2007-008215	R-CHIP;4.3Kohm,1%,1/16W,TP,1005	1	SA
...4		2007-008294	R-CHIP;33ohm,1%,1/16W,TP,1005	2	SA
...4		2007-008298	R-CHIP;49.9ohm,1%,1/16W,TP,1005	2	SA
...4		2007-008332	R-CHIP;11.3Kohm,1%,1/16W,TP,1005	4	SA
...4		2007-008426	R-CHIP;12.4Kohm,1%,1/10W,TP,1608	1	SA
...4		2007-008779	R-CHIP;0ohm,1%,1/16W,TP,1005	4	SA

Exploded Views and Parts List

Level	Loc.	Part Code	Description & Specification	Qty.	SA/SNA
...4		2007-009853	R-CHIP;1.6Kohm,1%,1/16W,TP,1005	2	SNA
...4		2011-000002	R-NETWORK;22ohm,5%,1/16W,L,CHIP,8P,TP,32	6	SA
...4		2011-001262	R-NETWORK;22ohm,5%,1/16W,L,CHIP,8P,TP,2	1	SA
...4		2011-001344	R-NETWORK;100ohm,5%,1/16W,L,CHIP,8P,TP,2	1	SA
...4		2011-001396	R-NETWORK;4.7Kohm,5%,1/16W,L,CHIP,8P,TP,	2	SA
...4		2011-001449	R-NETWORK;22ohm,5%,1/16W,L,4P,TP,1010	2	SA
...4		2011-001497	R-NETWORK;470ohm,5%,1/16W,L,CHIP,4P,TP,1	2	SNA
...4		2011-001506	R-NETWORK;10Kohm,5%,1/16W,L,CHIP,4P,TP,1	1	SA
...4		2011-001527	R-NETWORK;4.7Kohm,5%,1/16W,L,CHIP,4P,TP,	8	SA
...4		2011-001587	R-NETWORK;100ohm,5%,1/16W,L,CHIP-V,4P,TP	3	SA
...4	AD480	2203-000233	C-CER,CHIP;0.1nF,5%,50V,C0G,TP,1005	18	SA
...4	AD480	2203-000257	C-CER,CHIP;10nF,10%,50V,X7R,TP,1608	7	SA
...4	AD480	2203-000330	C-CER,CHIP;0.012nF,5%,50V,C0G,TP,1005	10	SA
...4	AD480	2203-000384	C-CER,CHIP;0.015nF,5%,50V,C0G,TP,1608,0.	4	SA
...4	AD480	2203-000386	C-CER,CHIP;0.015nF,5%,50V,C0G,TP,1005	5	SA
...4	AD480	2203-000425	C-CER,CHIP;0.018nF,5%,50V,C0G,TP,1005	1	SA
...4	AD480	2203-000438	C-CER,CHIP;1nF,10%,50V,X7R,TP,1005	20	SA
...4	AD480	2203-000489	C-CER,CHIP;2.2nF,10%,50V,X7R,TP,1005	9	SA
...4	AD480	2203-000530	C-CER,CHIP;2.7nF,10%,50V,X7R,TP,1005,-	2	SA
...4	AD480	2203-000679	C-CER,CHIP;0.027nF,5%,50V,C0G,TP,1005	2	SA
...4	AD480	2203-000714	C-CER,CHIP;3.3nF,10%,50V,X7R,TP,1005	13	SA
...4	AD480	2203-000761	C-CER,CHIP;330nF,10%,16V,X7R,TP,2012	1	SNA
...4	AD480	2203-000885	C-CER,CHIP;4.7nF,10%,25V,X7R,TP,1005	5	SC
...4	AD480	2203-000975	C-CER,CHIP;47nF,10%,25V,X7R,TP,1608	6	SA
...4	AD480	2203-000995	C-CER,CHIP;0.047nF,5%,50V,C0G,TP,1005	2	SA
...4	AD480	2203-001554	C-CER,CHIP;1.8nF,10%,50V,X7R,TP,1608	14	SA
...4	AD480	2203-001634	C-CER,CHIP;3.3nF,10%,50V,X7R,TP,1608	1	SA
...4	AD480	2203-002050	C-CER,CHIP;47nF,10%,50V,X7R,TP,1608	4	SA
...4	AD480	2203-002285	C-CER,CHIP;10nF,10%,50V,X7R,TP,1005	16	SNA
...4	AD480	2203-002398	C-CER,CHIP;22nF,10%,50V,X7R,TP,1608	1	SA
...4	AD480	2203-002720	C-CER,CHIP;10nF,10%,25V,X7R,TP,1005,0.5T	1	SA
...4	AD480	2203-002982	C-CER,CHIP;6.8nF,10%,50V,X7R,TP,1005	3	SA
...4	AD480	2203-005054	C-CER,CHIP;0.0047nF,0.25pF,50V,NP0,TP,10	3	SA
...4	AD480	2203-005083	C-CER,CHIP;220nF,10%,50V,X7R,TP,1608,0.8	6	SA
...4	AD480	2203-005249	C-CER,CHIP;100nF,10%,50V,X7R,TP,1608	32	SA
...4	AD480	2203-005344	C-CER,CHIP;22nF,10%,25V,X7R,TP,1005,0.5T	23	SNA
...4	AD480	2203-005393	C-CER,CHIP;0.003nF,0.1pF,50V,NP0,TP,1005	6	SNA
...4	AD480	2203-005481	C-CER,CHIP;47nF,10%,10V,X7R,TP,1005	2	SA
...4	AD480	2203-006048	C-CER,CHIP;100nF,10%,10V,X7R,TP,1005	539	SA
...4	AD480	2203-006088	C-CER,CHIP;330nF,10%,10V,X7R,TP,1608	1	SNA

Level	Loc.	Part Code	Description & Specification	Qty.	SA/SNA
...4	AD480	2203-006158	C-CER,CHIP;100nF,10%,16V,X7R,TP,1005,0.5	110	SA
...4	AD480	2203-006260	C-CER,CHIP;220nF,10%,10V,X5R,TP,1005	2	SNA
...4	AD480	2203-006348	C-CER,CHIP;1000nF,10%,25V,X5R,TP,1608,0.	1	SA
...4	AD480	2203-006361	C-CER,CHIP;10000nF,10%,10V,X5R,TP,2012	9	SC
...4	AD480	2203-006474	C-CER,CHIP;22000nF,20%,6.3V,X5R,TP,2012	22	SA
...4	AD480	2203-006562	C-CER,CHIP;1000nF,10%,10V,X5R,TP,1005	38	SA
...4	AD480	2203-006824	C-CER,CHIP;4700nF,10%,10V,X5R,TP,1608	15	SNA
...4	AD480	2203-006890	C-CER,CHIP;10000nF,20%,6.3V,X5R,TP,1608	30	SA
...4	AD480	2203-007132	C-CER,CHIP;10000nF,10%,25V,X7R,TP,3216,1	2	SA
...4	AD480	2203-007176	C-CER,CHIP;1000nF,10%,16V,X5R,TP,2012,1	15	SNA
...4	AD480	2203-007240	C-CER,CHIP;22000nF,20%,6.3V,X5R,TP,1608,	45	SA
...4	AD480	2203-007269	C-CER,CHIP;22000nF,20%,10V,X5R,TP,2012,0	24	SNA
...4	AD480	2203-007306	C-CER,CHIP;10000nF,10%,25V,X5R,TP,2012,1	12	SNA
...4	AD480	2203-007513	C-CER,CHIP;1000nF,10%,10V,X5R,TP,1608,0	157	SA
...4	AD480	2203-007544	C-CER,CHIP;100nF,10%,50V,X7R,TP,1005	76	SA
...4	AD480	2203-007581	C-CER,CHIP;0.1nF,5%,50V,C0G,TP,1608	2	SA
...4		2402-001088	C-AL,SMD;220nF,20%,35V,LZ,TP,8.3x8.3x10.	6	SA
...4		2409-001118	C-POLYMER ,CHIP;47nF,20%,10V,WT,TP,3.5X2	11	SA
...4		2409-001191	C-ORGANIC,SMD;47nF,20%,20V,TP,7343(1.9T)	1	SA
...4		2503-001051	C-NETWORK;100nF,4,20%,16V,2012	1	SA
...4		2703-003135	INDUCTOR-SMD;4.7uH,20%,6965,0.04Ohm,7000	7	SNA
...4		2703-003263	INDUCTOR-SMD;3.3uH,20%,10.0x10.0mm,0.011	1	SNA
...4		2703-003713	INDUCTOR-SMD;1.5uH,20%,7366,0.015ohm,700	4	SA
...4		2703-003937	INDUCTOR-SMD;1uH,20%,7.0x6.47x3.0mm,0.00	2	SA
...4		2703-004145	INDUCTOR-SMD;2.2uH,20%,6.5 x 6.9mm,0.20o	1	SNA
...4		2703-004455	INDUCTOR-SMD;10uH,20%,8080 (4.5T),0.074O	12	SNA
...4		2801-003856	CRYSTAL-SMD;0.032768MHz,20ppm,28-ACP,7pF	1	SA
...4		2801-003948	CRYSTAL-SMD;12MHz,30ppm,28-AAN,12pF,60oh	1	SA
...4		2801-004021	CRYSTAL-SMD;24.576MHz,20ppm,28-AAN,12pF,	2	SA
...4		2801-004734	CRYSTAL-SMD;25.000000MHz,20ppm,28-AAN,12	3	SA
...4		2801-004774	CRYSTAL-SMD;24MHz,30ppm,14pF,30ohm,TP	3	SA
...4		2801-004775	CRYSTAL-SMD;12MHz,30ppm,16pF,30ohm,TP	1	SNA
...4		2804-001994	OSCILLATOR-CLOCK;78.125MHz,150ppm,TP,3.3	1	SA
...4		2806-001308	OSCILLATOR-VCXO;27MHz,-,30PF,TP,3.3V,50M	1	SA
...4		3301-000314	BEAD-SMD;120ohm,1608,TP,120ohm/100MHz	1	SA
...4		3301-001727	BEAD-SMD;120ohm,1005,TP,100MHz,-	5	SNA
...4		3301-002029	BEAD-SMD;20ohm,1608,TP	138	SA
...4		3601-001374	FUSE-SURFACE MOUNT;32V,5A,FAST-ACTING,PL	4	SA
...4		3708-003043	CONNECTOR-FPC/FFC/PIC;80P,0.5mm,SMD-A+DI	1	SA
...4		3710-003901	SOCKET-INTERFACE;34P,2R,0.5mm,SMD-A,AU,B	1	SA

Level	Loc.	Part Code	Description & Specification	Qty.	SA/SNA
...4	EH01	3711-005872	HEADER-BOARD TO CABLE;BOX,5P,1R,2MM,SMD-	1	SA
...4	EH01	3711-005925	HEADER-BOARD TO CABLE;BOX,51P,1R,0.5mm,S	1	SA
...4	EH01	3711-007582	HEADER-BOARD TO CABLE;BOX,8P,1R,2.0mm,AN	1	SA
...4	EH01	3711-007742	HEADER-BOARD TO CABLE;BOX,20P,2R,2mm,ANG	1	SA
...4		3711-007776	CONNECTOR-HEADER;BOX,8P,1R,1.25mm,SMD-A,	1	SA
...4	EH01	3711-007803	HEADER-BOARD TO CABLE;BOX,12P,1R,1.25mm,	1	SA
...4	EH01	3711-007814	HEADER-BOARD TO CABLE;BOX,4P,1R,1.25mm,S	1	SA
...4	EH01	3711-008558	HEADER-BOARD TO CABLE;BOX,26P,2R,1.25mm,	1	SA
...4		3722-003457	JACK-USB;4P/1C,NI,BLK,A	1	SA
...4		3722-003657	JACK-PHONE;1P/7C,P-BRONZE,BLK,ANGLE	1	SA
...4		BN13-00065A	IC ASIC-DECODER;SDP1210,UHD,1444,3.3V (D	1	SA
...4		BN13-00066A	IC ASIC-DECODER;SDP1211,UHD,421,3.3V (I	1	SA
...4		BN41-02116B	PCB MAIN;FR-4,8,1.6T,310**218,1	1	SNA
...4		BN97-07319A	ASSY MICOM;T-FOXDEUS3-2005,2013,10.23	1	SNA
...5		0903-001863	IC MICROCONTROLLER;WT61P807-RG48,LQFP,48	1	SA
...4		BN97-07686A	ASSY MICOM-MAIN;T-FXP9U ABC-2006.0,2014.0	1	SNA
...5		1107-002077	IC-EMMC;K1M4G1FE3B-B001,4Gbyte,32Gx1bit,	1	SA
1		BN91-12907W	ASSY SHIELD,UH8000	1	SNA
.2		0203-001598	TAPE-FILAMENT;#8915,0.15,12,55000 CLR	1	SNA
.2		2901-001745	FILTER-EMI AC LINE;250V,10A,0.1uF/2000pF	1	SA
.2		6001-000581	SCREW-MACHINE;FH,+,M4,L12,NI PLT,SWRCH18	8	SA
.2		6001-001806	SCREW-MACHINE;FH,+,M4,L5,ZPC(BLK),SWRCH1	8	SA
.2		6001-002610	SCREW-MACHINE;BH,-M4,L6,ZPC(BLK),SWRCH1	4	SA
.2	SCREW	6001-002755	SCREW-MACHINE;BH,+,M3,L6,ZPC(BLK),SWRCH1	5	SA
.2	SCREW	6001-002757	SCREW-MACHINE;BH,+,M3,L4,ZPC(WHT),SWRCH1	1	SA
.2		6001-002789	SCREW-MACHINE;BH,+,M4,L6,ZPC(WHT),SWRCH1	1	SA
.2	SCREW	6001-002996	SCREW-MACHINE;FH,+,M3.0,L5.0,ZPC(BLK),SW	4	SA
.2	SCREW	6001-003016	SCREW-MACHINE;PWH,+,M3.0,L5.0,ZPC(WHT),S	20	SA
.2	SCREW	6003-001086	SCREW-TAPTYPE;BH,+,-,B,M3,L12,ZPC(BLK),S	6	SA
.2	SCREW	6003-001748	SCREW-TAPTYPE;BH,+,WP,S,M4,L10,ZPC(BLK),	8	SA
.2	EC13	BN39-01701C	LEAD CONNECTOR;S9,Lead Connector,UL21016	1	SA
.2	EC13	BN39-01740G	LEAD CONNECTOR;S9,Lead Connector,UL21016	1	SA
.2	EC13	BN39-01769A	LEAD CONNECTOR;S9,Flat Connector,UL21016	1	SA
.2	EC13	BN39-01769B	LEAD CONNECTOR;S9,Lead Connector,UL21016	1	SA
.2	EC13	BN39-01773A	LEAD CONNECTOR;S9,Flat Connector,UL21016	1	SA
.2	EC13	BN39-01775A	LEAD CONNECTOR;S9,Flat Connector,UL10368	1	SA
.2	EC13	BN39-01806R	LEAD CONNECTOR;S9,Flat Connector,UL21016	1	SA
.2	EC13	BN39-01807A	LEAD CONNECTOR;S9,Flat Connector,UL21451	1	SA
.2	EC13	BN39-01808A	LEAD CONNECTOR;S9,Flat Connector,UL21016	1	SA
.2	EC13	BN39-01809A	LEAD CONNECTOR;S9,Flat Connector,UL21451	1	SA

Level	Loc.	Part Code	Description & Specification	Qty.	SA/SNA
.2	CAONE	BN39-01815B	CBF SIGNAL;85S9,26P,coaxial,3000,UL,NTR	1	SA
.2	P001A	BN44-00641A	DC VSS-LED TV PD BD;L85D2LA_DSM,PSLF671F	1	SA
.2	P001A	BN44-00642A	DC VSS-LED TV PD BD;L85D2LB_DSM,PSLF671F	1	SA
.2	NW01	BN59-01161A	NETWORK;WIDT-30Q,Internal WiFi,USB,IEEE8	1	SA
.2		BN61-09508A	BRACKET-RAIL HOLDER;S9 UHD 85",AL	4	SNA
.2		BN61-09525A	HOLDER-SCREW;S9 UHD 85" SUS,L16,M5,FH+,M	8	SA
.2		BN62-00408A	PAD GAP;UN85S9AF,SILICON,9.8mm,50mm,50mm	2	SNA
.2		BN62-00411A	PAD GAP;UN85S9AF,SILICON,9.8mm,80mm,20mm	1	SNA
.2		BN62-00417A	PAD GAP;UN85S9AF,SILICON,9.8mm,60mm,60mm	2	SNA
.2		BN63-04077A	GASKET;PS63P71FHX,CONDUCTIVE ADHESIVE sp	1	SNA
.2	AS108	BN63-10950A	SHEET-PROTECTION;PET,0.039,W80mm,CLEAR	2	SNA
.2		BN63-11355A	SHEET-HOLDER CABLE;S9,PP,0.43,BLACK	2	SA
.2		BN67-00451A	CAP SPONGE LEG TOP-L/R,S9 85INCH,EPP,GRA	2	SNA
.2		BN68-05450E	LABEL-JACK PACK;KN55S9C,ART PAPER,0.08,B	1	SNA
.2		BN69-09198A	PAD-SPACER;85S9,EVA,EVA,T5 W120,D30,98.9	4	SNA
.2	FL06	BN96-22337N	ASSY CABLE P-FFC;S9,FFC,2H,851mm,51P,Fol	1	SA
.2	FL06	BN96-22728H	ASSY CABLE P-FFC;S9,FFC,NH,716mm,80P,Fol	1	SA
.2	BT	BN96-25876A	ASSY BOARD P-RF-MODULE;Bluetooth Module,	1	SA
..3	AS BT	BN97-08545A	A/S-BT/Bluetooth Module SCREW	1	SNA
..3		BN97-07275A	ASSY MICOM-BLUETOOTH F/W;2.1.14.252,2013	1	SNA
...4		BN81-08385A	AS-BLUETOOTH F/W;BLUETOOTH F/W	1	SNA
.2		BN96-26028A	ASSY COVER P-CABLE;S9 UHD 85",AL,HAIR LI	1	SA
..3		BN61-04248C	BOSS-TAPE;#4920,acryl,0.45mm,12mm,3M,whi	1	SNA
..3		BN61-05728D	BOSS-TAPE;UE7000,acryl,T0.4,W18,DARK GRA	0	SNA
..3		BN61-09222A	MAGNET-B;S9 UHD 85",MAGNET,10.0,3.0	8	SNA
..3		BN61-09260A	BRACKET-CABLE A;S9 UHD 85",AL6063,AL ext	1	SNA
..3		BN61-09285A	BRACKET-CABLE B;S9 UHD 85",AL6063,AL ext	1	SNA
..3		BN63-10724A	COVER-CABLE;S9 UHD 85",AL,BLACK,HAIR LIN	1	SNA
..3		BN63-10725A	COVER-DECO CABLE A;S9 UHD 85",AL6063,BLA	1	SNA
..3		BN63-10727A	COVER-DECO CABLE B;S9 UHD 85",AL6063,BLA	1	SNA
.2		BN96-26030B	ASSY HINGE P-L;S9 UHD 85",AL6063,extrusi	1	SA
.2		BN96-26031B	ASSY HINGE P-R;S9 UHD 85",AL6063,extrusi	1	SA
.2	R003A	BN96-26310F	ASSY COVER P-MAIN;S9 UHD 85",Australia,N	1	SA
..3		BN61-07463E	BOSS-TAPE;SB970,acryl,T0.25,W30,Transpar	1	SNA
..3		BN61-09221A	MAGNET-A;S9 UHD 85",MAGNET,10.0,5.0	8	SNA
..3	M0131	BN63-04079A	GASKET;LE23586BDX/XEC,Conductive Fabric,	4	SNA
..3	M0131	BN63-04105A	GASKET;ANT4069FX/XAA,Polyurethane Foam,5	1	SNA
..3	AC271	BN63-10674F	COVER-MAIN;S9 UHD 85",ABS,2.2,409.4,310.	1	SNA
..3		BN63-11068A	SHIELD-TOP MAIN;S9 UHD 85",ET-SPTE,T0.3	1	SNA
.2	FL06	BN96-26671K	ASSY CABLE P-FFC;S9,FFC,NH,870mm,20P (0.	1	SA

Exploded Views and Parts List

Level	Loc.	Part Code	Description & Specification	Qty.	SA/SNA
.2	CAM	BN96-26793A	ASSY MISC P-AQUILA_VP;AQUILA_VP;TV camer	1	SA
...3		BN97-07458A	ASSY MICOM-CAMERA-UD;1.30.00,2013.05.23,	1	SNA
...4		BN81-08576A	AS-UD CAMERA F/W;UD CAMERA F/W	1	SNA
...3		BN97-07459A	ASSY MICOM-MIC-UD;NAMUGA,U91A;2013.03.12	1	SNA
...4		BN81-08575A	AS-UD MIC F/W;UD MIC F/W	1	SNA
.2	SP01A	BN96-27143A	ASSY SPEAKER P;8ohm,20W,Enclosure_S9	1	SA
.2	FB05A	BN96-27539A	ASSY BOARD P;S9_Network board	1	SA
.2	FB05A	BN96-28843A	ASSY BOARD P;UN85S9AF;CHEMTRONICS,FR-4,B	1	SA
...3		BN94-06455A	ASSY PCB MISC-MODULE BOARD;UF9Z	1	SNA
...4		BN97-07399A	ASSY SMD;UF9Z	1	SNA
....5		0801-003424	IC-CMOS LOGIC;74VHCV541,Octal schmitt bu	1	SA
....5		0904-002714	IC-USC;QFN28P,5.0mm X 5.0mm,12MHz,TP,PL	1	SA
....5		2007-000173	R-CHIP;22ohm,5%,1/16W,TP,1005	1	SA
....5		2007-001090	R-CHIP;620ohm,1%,1/10W,TP,1608	1	SA
....5		2011-001587	R-NETWORK;100ohm,5%,1/16W,L,CHIP-V,4P,TP	2	SA
....5		3708-003140	CONNECTOR-FPC/FPC/PIC;20P,0.5mm,SMD-A+D	1	SA
....5		BN41-02043A	PCB-T CON;S9_UHD,FR-4,4,1.2,190*240,2,BT	1	SNA
.2	FB05A	BN96-28844A	ASSY BOARD P;UN85S9AF;CHEMTRONICS,FR-4,B	1	SA
...3		BN94-06454A	ASSY PCB MISC-BUFFER BOARD;UF9Z	1	SNA
...4		0202-001608	SOLDER-WIRE FLUX;JFC7-107,D0.8,99.3Sn/0.	0	SNA
...4		BN97-07400A	ASSY SMD;UF9Z	1	SNA
....5		0202-001899	SOLDER-CREAM;M705-GRN360-K2-VT,25-36um,S	0	SNA
....5		0505-000110	FET-SILICON,2N7002,N,60V,115mA,7.5ohm,0.	2	SA
....5		2007-000145	R-CHIP;4.7Kohm,5%,1/16W,TP,1005	2	SA
....5		2007-000171	R-CHIP;0ohm,5%,1/16W,TP,1005	8	SA
....5		2007-007142	R-CHIP;10Kohm,1%,1/16W,TP,1005	2	SA
....5	AD480	2203-000679	C-CER,CHIP;0.027nF,5%,50V,C0G,TP,1005	2	SA
....5	AD480	2203-006048	C-CER,CHIP;100nF,10%,10V,X7R,TP,1005	6	SA
....5	AD480	2203-006361	C-CER,CHIP;10000nF,10%,10V,X5R,TP,2012	1	SC
....5	AD480	2203-006562	C-CER,CHIP;1000nF,10%,10V,X5R,TP,1005	1	SA
....5		2801-004775	CRYSTAL-SMD;12MHz,30ppm,16pF,30ohm,TP	1	SNA
....5		3301-002039	BEAD-SMD;25ohm,1608,TP	4	SA
....5		3710-002266	CONNECTOR-SOCKET;50P,1.0mm,SMD-S,SN,BL	1	SA
....5	EH01	3711-007803	HEADER-BOARD TO CABLE;BOX,12P,1R,1.25mm,	1	SA
....5	EH01	3711-007814	HEADER-BOARD TO CABLE;BOX,4P,1R,1.25mm,S	1	SA
....5	EH01	3711-008558	HEADER-BOARD TO CABLE;BOX,26P,2R,1.25mm,	1	SA
....5		BN41-02042P	PCB-T CON;S9_UHD,FR-4,4,1.2,190*240,2,T,	1	SNA
.2	SHIELD P-TOP	BN96-29259B	ASSY SHIELD P-TOP;US9000,55,EGI-SECC	1	SA
...3	T0073	AA63-01111A	GASKET-EMI;42D5,Conductive Fabric,1.5mm,	1	SNA
...3	T0073	AA63-01413U	GASKET-EMI;42Q7,Conductive Fabric Type,2	1	SNA

Level	Loc.	Part Code	Description & Specification	Qty.	SA/SNA
..3	T0073	AA63-01528A	GASKET-EMI;63P7,Conductive Fabric,1.5,10	2	SNA
..3		BN62-00443B	HEAT SINK-ASSY;UF9000,A1050,T2.0,SILVER,	1	SNA
..3	AS223	BN63-10881B	SHIELD-TOP;UF9000 UHD 55",ET-SPTE,0.5	1	SNA
..3		BN63-11112A	GASKET;UN85S9AFXZA,Conductive Fabric,1.5	1	SNA
..3		BN63-11114A	GASKET;UN85S9AFXZA,Conductive Fabric,1.5	1	SNA
..3		BN63-11116A	GASKET;UN85S9AFXZA,Conductive Fabric,1.5	1	SNA
.2	SHIELD P-BOTTOM	BN96-29260A	ASSY SHIELD P-BOTTOM;UF9000,65,SECC	1	SA
..3	T0073	AA63-01618A	GASKET-EMI;50Q71,Conductive Fabric,1.0mm	3	SNA
..3		BN63-10997B	SHEET-INSULATOR;F9000,PC,0.42,345.6,69.6	1	SNA
..3		BN63-11319A	SHIELD-BOTTOM;UF9000,SECC,T1.6	1	SNA
..3	RB01	BN63-11328A	COVER-BOTTOM;UF9000 PC+ABS+G/F15%,V1,BK0	1	SNA
..3		BN63-11366A	SHEET-GRAPHITE,BOT;UF9000,EVA 1 SIDE P32	1	SNA
.2	T001A	BN96-29941D	ASSY COVER P-TOP;UF9000,55,65,SO,ABS+PC,	1	SA
..3		BN61-04692A	BOSS-PRIMER;#94,SHEET,clear,35cps	0	SNA
..3		BN61-07463C	BOSS-TAPE;SB970,acryl,T0.25,W15,Transpar	1	SNA
..3	M0131	BN63-00896A	GASKET;NB21BS,Conductive Fabric,5mm,15mm	2	SNA
..3		BN63-11321B	COVER-DECO;UF9000 ABS,HB,NC0001,CR Plati	1	SNA
..3	T001	BN63-11322D	COVER-TOP;UF9000,ABS+PC,V0,BK0008	1	SNA
..3		BN63-11562B	SHEET-COVER;UF9000,PET+SILICON,0.052,W2	1	SNA
..3		BN96-29870A	ASSY COVER P-SHEET BADGE;UF9000,AL	1	SNA
...4	A080	BN63-11320A	SHEET-COVER;UF9000,SECC,T0.5,VCM	1	SNA
...4		BN64-02417A	BADGE-BRAND;S9 UHD 85",Ni,0.05,L35mm,SIL	1	SNA
.2		BP63-00028A	SHIELD-FOAM;HLM507W,-,10,10,10	4	SNA
1		BN92-11974D	ASSY BOX;UF9Z	1	SNA
.2		BH68-00662A	LABEL BOX-01;ALL MODEL,ART PAPER,60,110	1	SNA
.2		BN69-09180A	BOX-SET-COVER;85S9,CB,SW2,YEL,NON-STANDA	2	SNA
.2		BN69-09181C	BOX-01,SET-FRONT;85S9,CB,DW3,YEL,NON STA	1	SNA
.2		BN69-09182C	BOX-01,SET-REAR;85S9,CB,DW3,YEL,NON-STAN	1	SNA
1		BN92-11978B	ASSY P/MATERIAL;UF9Z	1	SNA
.2		6902-000061	BAG AIR;LDPE,T0.2,W500,L1000,TRP,370.000	1	SNA
.2		6902-000379	BAG AIR;LDPE,T0.2,W1000,L1800,TRP,1260.0	1	SNA
.2		6902-000604	BAG WRAPPING;LDPE,T0.02,W500,L10000,TRP,	39	SNA
.2		6902-001862	BAG PE;HDPE/PE FOAM,T0.015/T0.5,W200,L50	1	SNA
.2		6922-000013	BAND PP;PP,W18,L2300/L2900,TRP	19	SNA
.2		BN02-00102B	TAPE FILAMENT;UE7000,#8917,0.15,25,50,WH	1	SNA
.2		BN69-00391D	PAD-ANGLE;DT19PS,CB,T4,50,2000,YEL	2	SNA
.2		BN69-09151A	BOX-ACCESSORY;85S9,CB,SW-E-BLACK,OFFSET,	1	SNA
.2	PS130	BN69-09155A	CUSHION-TOP;S9 UHD 85",EPP,30.0g/l	1	SNA
.2	PS100	BN69-09156A	CUSHION-BOTTOM;S9 UHD 85",EPP,30.0g/l	1	SNA
.2		BN69-09157A	CUSHION-FRONT;S9 UHD 85",EPP,30.0g/l	1	SNA

Exploded Views and Parts List

Level	Loc.	Part Code	Description & Specification	Qty.	SA/SNA
.2		BN69-09187B	BAND-FABRIC;85S9,PP,W50,D4500,BLK,FABRIC	2	SNA
.2		BN69-09197A	PACKING-BAG;85S9,HDPE/NITRON,38.7g/0.5T*	1	SNA
.2		BN69-09219A	PALLET-PLYWOOD;85S9,WOOD,-,2160,800,120,	1	SNA
.2		BN69-09437A	CUSHION-JACK-PACK;UF9000 Jack-Pack,EPS,W	2	SNA
1	ACCE1	BN92-13028Q	ASSY ACCESSORY;UF9Z	1	SNA
.2		BN96-25677R	ASSY ACCESSORY MANUAL;UA85S9AMXXY	1	SNA
...3	T0268	3903-000873	CBF-POWER CORD;DT,Australia,LP-23AL,25	1	SA
...3		4301-000103	BATTERY-ALKALINE;1.5V,750mAh,LR03,10.2x4	4	SNA
...3		AA59-00759B	REMOCON-SMART TOUCH;TM1390,14,80mA,3.0V,	1	SA
...3	REMO2	AA59-00838A	REMOCON;TM1270,19,3.0V,EU, S9	1	SA
...3	EC08	BN39-01154C	CBF SIGNAL;Chelsea Slim, STEREO Plug to	1	SA
...3	EC07	BN39-01154H	CBF SIGNAL;DE40B7000WWXXC,3P RCA,30AWG,1	2	SA
...3	T0527	BN68-00513A	LABEL-EPASS;ALL MODEL, YUPO(110G),BLACK,	1	SNA
...3		BN68-02298C	LABEL-STICKER;TV,XY,ART PAPER,T0.05,93,4	1	SNA
...3		BN68-04972A	MANUAL FLYER-04,REGULATORY GUI,ALL,SAMSU	1	SNA
...3		BN68-05273A	MANUAL USERS-01;UA85S9,ENG,XY,W/P 80g IS	1	SNA
...3		BN68-05608A	LEAFLET-SMART TV PROMOTION GUIDE;SMART T	1	SNA
...3		BN68-05971A	LEAFLET-01,WARRANTY CARD,comm,Samsung,EN	1	SNA
...3		BN69-08751C	WRAP VINYL-SHRINK;STAND,PLASTIC OTHERS,P	0	SNA
...3		BN69-09172A	PAD-IB;UN85S9000,PAPER,W378,L465,Non-Sta	1	SNA
...3	CAIR	BN96-26652A	ASSY CABLE P;IR BLASTER IR BLASTER CABLE,	1	SA
...3		BN96-27947A	ASSY MISC P-A/S JIG;S9 85INCH	1	SNA
...4		6902-001404	BAG ZIPPER;LDPE,T0.05,W80,L100,TRP	1	SNA
...4	M0152	BH81-00001A	A/S-JIG;CDA4507,-,DELPHINUS,SAMSUNG,-,	1	SA
...3		BN96-27977A	ASSY HOLDER P-SCREW-LEG TOP+SIDE;S9 85",	1	SNA
...4		6901-001114	SCREW-MACHINE;FH,+,M4,L6,ZPC(BLK),SWRCH1	8	SA
...4		6902-000341	BAG PE;LDPE,T0.05,L90,W70,TRP,,,PE MARK	1	SNA
...3		BN96-29171A	ASSY ACCESSORY-BOX;85S9 EUROPE	1	SNA
...4		BN69-09162C	BOX-CABLE;UN85S9000,PAPER,Non-Standard,W	1	SNA
...4		BN69-09163A	BOX-CABLE;UN85S9000,PAPER,Non-Standard,W	1	SNA
...4		BN69-09164A	BOX-ACCESSORY;UN85S9000,PAPER,Non-Standa	1	SNA
...4		BN69-09212A	BOX-REMOCON;UN85S9000(for europe),PAPER,	1	SNA
...4		BN69-09267A	PAD-REMOCON;UN85S9000(for europe),PAPER,	1	SNA
...4		BN69-09268A	PAD-REMOCON;UN85S9000(for europe),PAPER,	1	SNA
...4		BN69-09269A	PAD-REMOCON;UN85S9000(for europe),PAPER,	1	SNA
...4		BN69-09270A	PAD-REMOCON;UN85S9000(for europe),PAPER,	1	SNA
...4		BN69-09271A	PAD-REMOCON;UN85S9000(for europe),PAPER,	1	SNA
...4		BN69-10650A	PAD-SPACER;85S9000,PE Foam,PE/EVA,T10,W2	1	SNA
.2	3DGLA	BN96-27050A	ASSY ACCESSORY 3D GLASSES;SSG-3570CR,INB	1	SC
1		BN92-13029C	ASSY LABEL;UF9Z	1	SNA

Level	Loc.	Part Code	Description & Specification	Qty.	SA/SNA
.2		BN68-04577B	LABEL-STICKER;TV ALL,XY,ART PAPER,T0.05,	1	SNA
.2		BN68-04927J	LABEL-STICKER;UF9Z,XY,PET,T0.1,70,116,En	1	SNA
.2		BN68-05050A	LABEL RATING;ALL,SS,PE,T0.05,93,73,Dark	1	SNA
.2		BN68-05242B	LEAFLET-STAND GUIDE;S9,ENG,W/W/P80G,B3	1	SNA