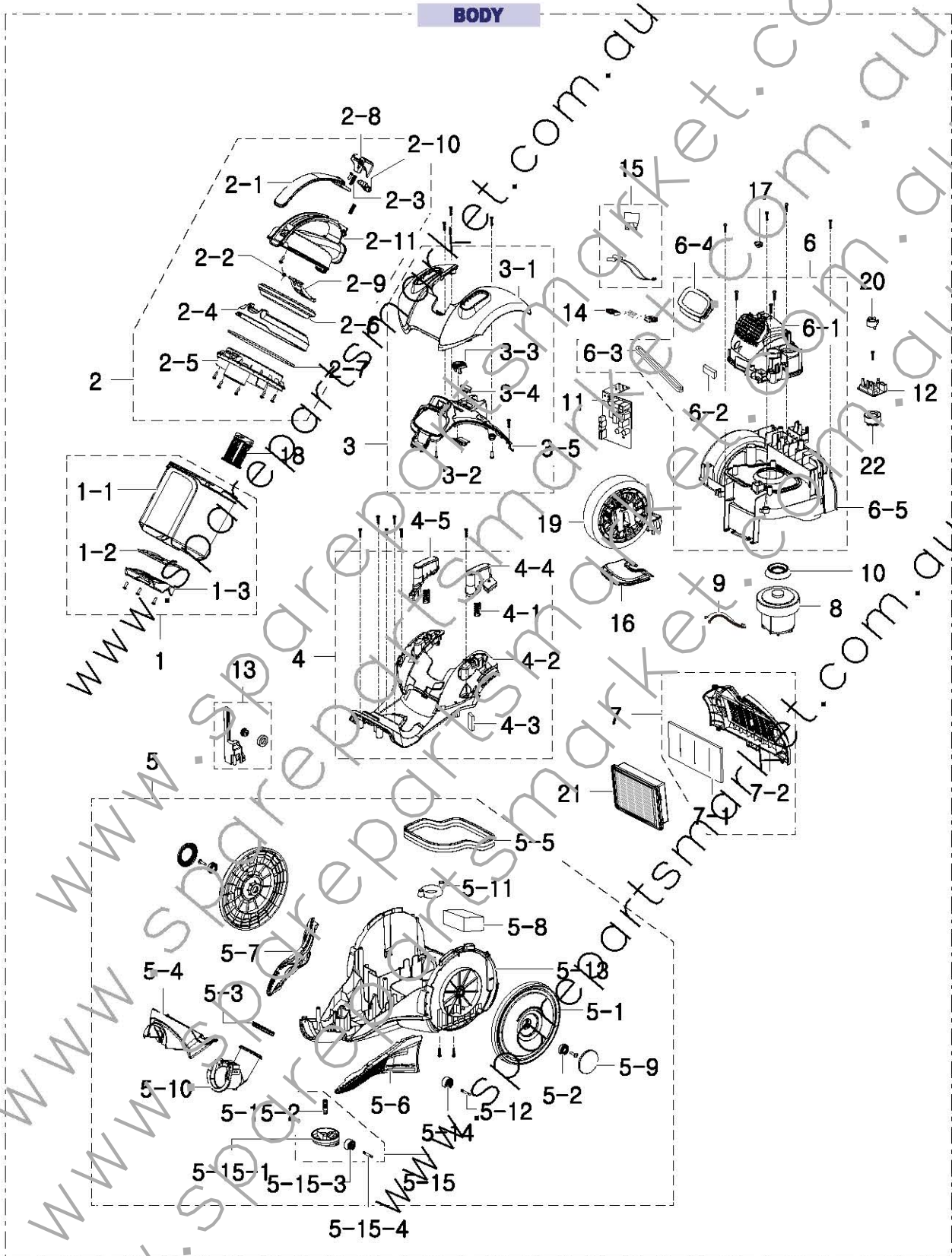


1. Body

Exploded View



Parts List

No.	Lvl.	Loc.	Material Code	Description & Specification	SNA	Qty.
1	1		DJ97-02249A	ASSY CYCLONE CASE; SC15H40E0V,ASSY	SA	1
1-1	3		DJ61-02299A	CASE CYCLONE; VC4000H,PC,-,GRAY TR-P,HB,3	SNA	1
1-2	2		DJ63-01472A	GASKET CYCLONE; EVA FOAM,T2.5,BLACK	SNA	1
1-3	2		DJ67-00752A	CAP CYCLONE; SC15H40E0V,PC,-,HB,3022R,GRA	SNA	1
2	1		DJ97-02251B	ASSY CYCLONE COVER; VC4000H,DEEP BLUE	SA	1
2-1	2		DJ67-00751D	CAP HANDLE CYCLONE; VC4000H,ABS,-,HB,HG-0	SNA	1
2-2	2		DJ61-01383A	SPRING ETC-CASE; VC-B715U,SUS316,CD0.6,ID	SNA	1
2-3	2		DJ61-70001P	SPRING ETC-PUSH; JAZZ-PJT,SUS,CD0.7,ID61	SNA	2
2-4	2		DJ63-01460A	COVER CYCLONE-UP; VC4000H,ABS,-,HB,NEUTRA	SNA	1
2-5	2		DJ63-01461A	COVER CYCLONE-LOW; VC4000H,ABS,-,HB,NEUTR	SNA	1
2-6	2		DJ63-01467A	FILTER CYCLONE; SC15H40E0V,PU,W130,L130,S	SA	1
2-7	2		DJ63-01483A	GASKET ETC; SC15H40E0V,PVC,-,1480,BLACK,P	SNA	1
2-8	2		DJ64-01240A	BUTTON CYCLONE; VC4000H,ABS,HB,NEUTRAL GR	SNA	1
2-9	2		DJ66-00694A	LEVER SAFETY; SC21E50VA,ABS,T2.0,-,HG-076	SA	1
2-10	2		DJ66-00743A	LEVER CYCLONE; SC15H40E0V,PC,3022R,GRAY T	SNA	1
2-11	2		DJ67-00750A	CAP COVER CYCLONE; VC4000H,ABS,-,HB,HG-07	SNA	1
3	1	RB042	DJ97-02250D	ASSY PANEL CONTROL; VC4000H,DEEP BLUE,VOL	SA	1
3-1	2		DJ64-01142D	DECORATION MID; VC4000H,ABS,-,Deep Blue	SNA	1
3-2	2	RB143	DJ61-02037A	FIXER KNOB; VC-F600G,ABS,-,EBONY BLACK,HB	SA	1
3-3	2		DJ64-01123C	KNOB SLIDE; SC15H40E0V,ABS,NEUTRAL GRAY	SNA	1
3-4	2		DJ64-01237A	WINDOW LED; SC15H40E0V,ABS,TX-0510,DARK G	SNA	1
3-5	2		DJ64-011238A	PANEL CONTROL-VOLUME; VC4000H,ABS,HG-0760	SNA	1
4	1	RB009	DJ97-02253A	ASSY BODY MID; SC15H40E0V,NEUTRAL GRAY	SA	1
4-1	2		DJ61-00092C	SPRING ETC-BUTTON; SC7950,HSWR,CD0.8,ID12	SNA	2

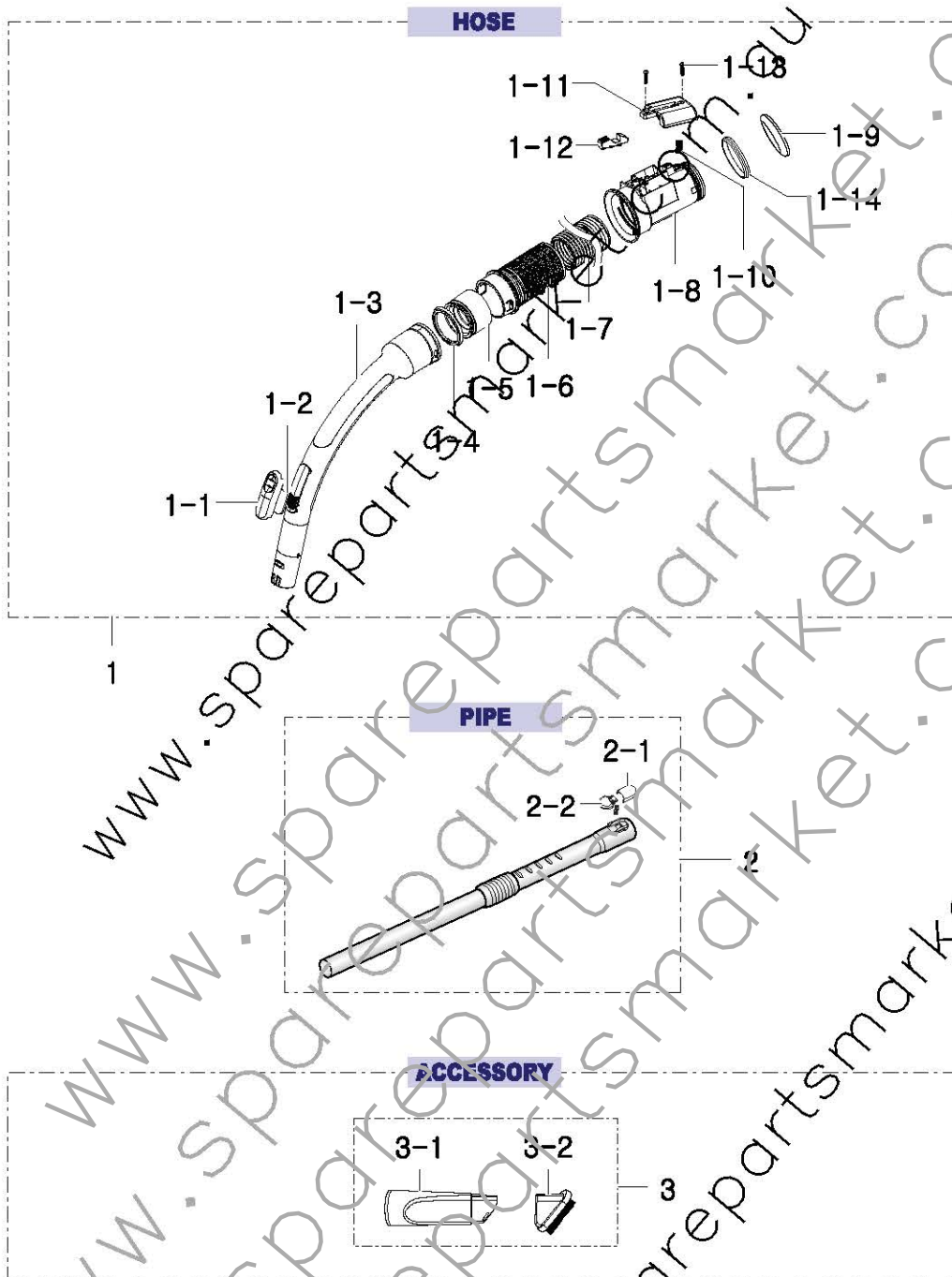
No.	Lvl.	Loc.	Material Code	Description & Specification	SNA	Qty.
4-2	2	RB059	DJ61-02300A	BODY MID; VC4000H,PP,-,NEUTRAL GRAY,HB,BJ	SNA	1
4-3	2		DJ63-00508E	FILTER-SAFETY; SC9150,-,T5,W80,L60,-,ADHE	SC	1
4-4	2	RB070	DJ64-01241A	BUTTON SWITCH; VC4000H,ABS,HB,NEUTRAL GRA	SNA	1
4-5	2		DJ64-01244A	BUTTON CORD REEL; VC4000H,ABS,HB,NEUTRAL	SNA	1
5	1	RB002	DJ97-02248B	ASSY BODY BASE; VC4000H,DEEP BLUE,NEUTRAL	SNA	1
5-1	2		DJ97-01954E	ASSY WHEEL; VC4000H,NEUTRAL GRAY,180,PP,T	SA	2
5-2	2		DJ61-01762A	HOLDER-WHEEL; VENUS,PP,-,NEUTRAL GRAY,HB,	SA	2
5-3	2	RA081	DJ62-00169A	SEAL DUCT; SC8450,PVC,SUB GRAY,RG170C	SNA	1
5-4	2	RB108	DJ63-01463A	COVER FRONT; VC4000H,PP,-,HB,NEUTRAL GRAY	SNA	1
5-5	2		DJ63-01464A	GASKET CASE MOTOR; SC15H40E0V,TPV,-,BLACK	SNA	1
5-6	2		DJ63-01465A	BAND BODY-LEFT; VC4000H,TPV,AIRBORNE GRAY	SNA	1
5-7	2		DJ63-01466A	BAND BODY-RIGHT; VC4000H,TPV,AIRBORNE GRA	SNA	1
5-8	2		DJ63-01471A	ABSORBER ETC; SC15H40E0V,PUR FOAM,T40,W40	SNA	1
5-9	2		DJ67-00606C	CAP WHEEL; SC15H40E0V,ABS,-,HB,HG-0760GP,	SNA	2
5-10	2		DJ67-00588C	DUCT INLET; SC15H40E0V,ABS,HB,HG-0760GPN	SNA	1
5-11	2	RP223	DJ62-00398A	CUSHION-RING; TPV,OD45.5,ID23.5,H66.6,BLK	SA	1
5-12	4	RP294	DJ70-30110A	SHAFT ROLLER-B; VC-DOM,MSWR,L26,OD3.9,ZPC	SA	1
5-13	3	RB051	DJ61-02301A	BODY BASE; VC4000H,PP,-,NEUTRAL GRAY,HB,B	SNA	1
5-14	3	RP288	DJ66-00048F	ROLLER-BACK; VC-P910,PP,BLK	SA	1
5-15	3	RP112	DJ66-00151C	ASSY ROLLER FRONT; FRONT,SC7800,BLACK + N	SA	1
5-15-1	4	RB168	DJ61-00320A	HOLDER-BACK; VC-8716V_BC-PJT,PA,-,BLACK,-	SNA	1
5-15-2	4	RP327	DJ66-00228A	SHAFT ROLLER; SC7800,ABS,BLACK,SD-0170	SNA	1
5-15-3	4	RP101	DJ66-70100A	ASSY ROLLER; VC550P,NEUTRAL GRY	SA	1
5-15-4	3	RP294	DJ70-30110A	SHAFT ROLLER-B; VC-DOM,MSWR,L26,OD3.9,ZPC	SA	1
6	1		DJ97-02254A	ASSY COVER CASE MOTOR; SC15H40E0V,NEUTRAL	SA	1

Exploded Views and Parts List

No.	Lvl.	Loc.	Material Code	Description & Specification	SNA	Qty.
6-1	2		DJ67-00753A	DUCT MOTOR; VC4000H,PP,HB,BJ750,NEUTRAL G	SNA	1
6-2	2		DJ63-00046F	SPONGE-H/SINK; RAMBO,CR FOAM,T5,W11.0,L39	SNA	1
6-3	2	RB148	DJ63-00509K	GASKET BASE; AQUA,EVA FOAM,T3.5,L186,RLK	SNA	1
6-4	2		DJ63-01282A	GASKET DUCK; SC21F50VA,TPV,TL9,BLACK	SNA	1
6-5	2		DJ63-01462A	COVER CASE MOTOR; VC4000H,PP+TALC30%,-,HB	SNA	1
7	1	RB037	DJ97-02283A	ASSY GRILLE BACK; VC4000H,NEUTRAL GRAY	SA	1
7-1	2		DJ63-01484A	FILTER AIR; VC4000H,-,T3,W160,L77.5,BLACK	SA	1
7-2	2	RB149	DJ64-01243A	GRILLE BACK; VC4000H,PP+TALC30%,HB,NEUTRA	SNA	1
8	2		DJ31-00120E	MOTOR UNIVERSIAL FAN; VCM-K60EVAA,1670W,2	SNA	1
9	2		DJ39-00033A	WIRE HARNESS-MOTOR; ADAGIO,UL1569,3,#18,Y	SA	1
10	2		DJ63-01329A	CUSHION MOTOR; VC4000H,TPV,-,TPV-45VSH-45	SA	1
11	1		DJ92-00104H	ASSY PCB MAIN; MAIN,V3050,105X77.85~265V,	SA	1
12	1		DJ92-00106A	ASSY PCB DISPLAY; DISPLAY,ADAGIO,52X40,N,	SA	1
13	1	RJ012	DJ97-00884A	ASSY LEVER BRAKE; VC-B835R,-,ASSY	SA	1
14	2		DJ39-00230A	WIRE HARNESS-PEA; ADAGIO,UL1007.5,#24,SMH	SA	1
15	2	RJ164	DJ39-00232A	WIRE HARNESS-SWITCH; ADAGIO,UL1569,3,#18,	SA	1
16	2	RB154	DJ63-00403A	GUARD CORD; SC4030,PP,-,BLACK,Recycled	SC	1
17	2		DJ63-01306A	GASKET WIRE; SC21F70H,NBR,T3.0,W14.0,L14.	SA	1
18	2		DJ64-01124B	GRILLE CYCLONE; SC15H40E0V,ABS,HB,AIRBORN	SA	1
19	1	RJ008	DJ95-00025V	ASSY CORD REEL; VC7000H,AP2,L7.1,FLAT TYP	SNA	1
20	1	RJ101	DJ96-00106D	ASSY SWITCH-PRESSURE; SATURN,2100mmH2O,BL	SA	1
21	1	RA023	DJ97-01962B	ASSY FILTER OUTLET; VC-F500G,HEPA,-,PTFE	SA	1
22	1	RB032	DJ97-01965A	ASSY DAMPER; SC21F50VA,BLACK	SA	1

2. Accessory

Exploded View

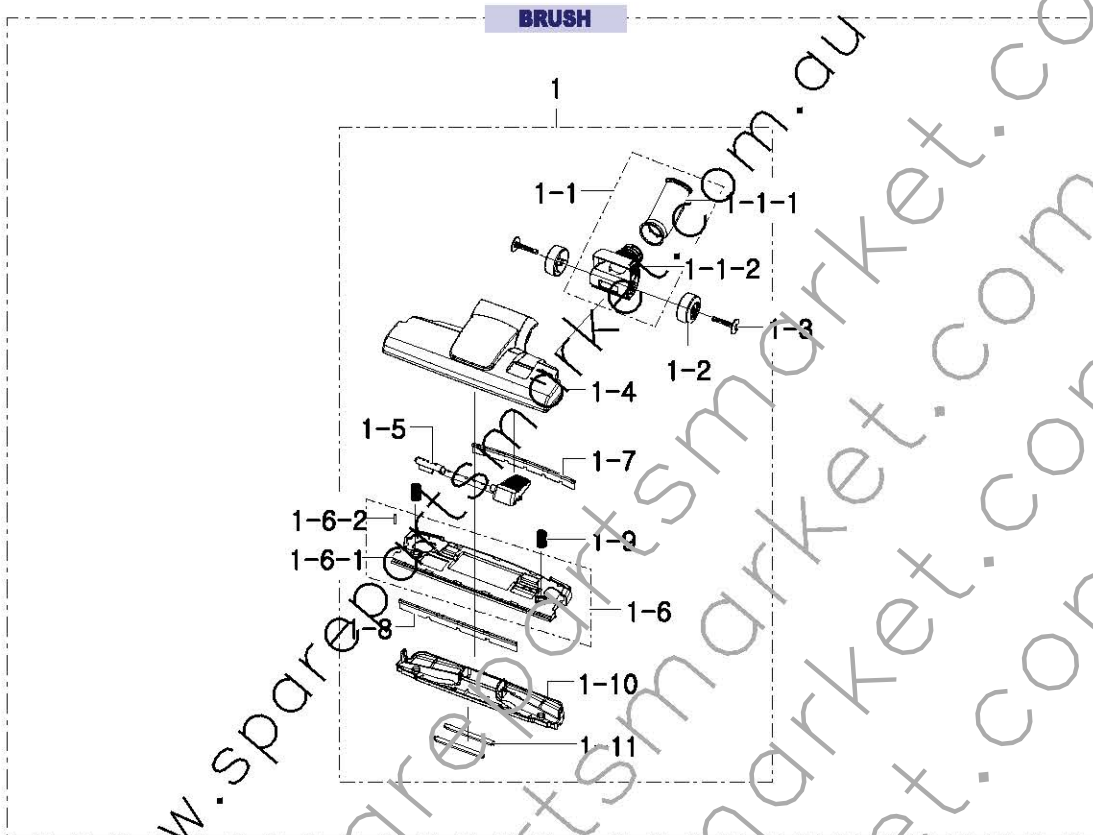


Parts List

No.	Lvl.	Loc.	Material Code	Description & Specification	SNA	Qty.
1	1	RL018	DJ97-01152C	ASSY HOSE; SC8680,SILVER,DEEP GRY,1700mm,	SA	1
1-1	2	RP245	DJ61-01485A	GUIDE AIR; LOIRE-PJT,ABS,-,HG-0760GP,EB	SA	1
1-2	2		DJ62-00273A	SEAL-AIR; SC8680V,EVA-FOAM,BLK,T4.0,W20,L	SNA	1
1-3	2	RL122	DJ62-00270A	PIPE-HANDLER; SC8680V,PP,-,BLACK,BJ730, S-	SNA	1
1-4	2		DJ62-00271A	SEAL-HOLDER; LOIRE-PJT,PVC,LIGHT GRY,SHGS	SNA	1
1-5	2		DJ61-01632A	HOLDER-HOSE C; SC8680,HDPE,NTR	SNA	1
1-6	2	RA108	DJ61-01486A	CASE-HOSE; LOIRE-PJT,PP,BLK,BJ350	SNA	1
1-7	2	RL132	DJ67-00384A	HOSE-WIRELESS; VC-MBS810,EVA,ID36.8,OD44.	SNA	1
1-8	2	RL025	DJ61-01883A	BODY CLAMPER; SC9600,PP,-,BLACK	SNA	1
1-9	2		DJ73-20100A	SEAL-PIPE; VC-8500 NBR,BLK	SNA	1
1-10	2	RA094	DJ61-70130A	SPRING ETC COIL; VC-6440,HSWR,PI0.7,ID4.1	SNA	1
1-11	2	RB102	DJ63-01170A	COVER-CLAMPER; SC9600,PP,-,BLACK,BJ750	SNA	1
1-12	2	RL104	DJ64-10111G	KNOB-CLAMPER; VC-8780,ABS,-,EBONY BLACK	SNA	1
1-13	2	RV005	6003-000167	SCREW-TAPTYPE; PH+,B,M3,L8,ZPC(PLK),SWRC	SNA	2
1-14	2		DJ63-01310A	GASKET PIPE; -,LDPE,-,BLACK,XP-5400	SNA	1
2	1	RP075	DJ97-00850A	ASSY PIPE; LOIRE,TELESCOPIC,STEEL,EXP,BUC	SA	1
2-1	2	RP335	DJ67-00498A	CAP-KNOB; CLOVER-PJT,PC,-,3022R,BLACK	SNA	1
2-2	2	RA069	DJ64-00611A	KNOB-PIPE; CLOVER-PJT,ABS,HB,EBONY BLACK	SNA	1
3	2		DJ99-00053C	ASSY ACCESSORY; SC4000,CREW DUST,BLK	SA	1
3-1	3	RA078	DJ62-00150C	PIPE CREVICE; SC4030,PP,IN34.8,OD38.3,-,B	SNA	1
3-2	3	RA036	DJ67-00368C	BRUSH DUSTING; SC4030,PP,BLACK,NYLON,SSPP	SNA	1

3. Brush

Exploded View



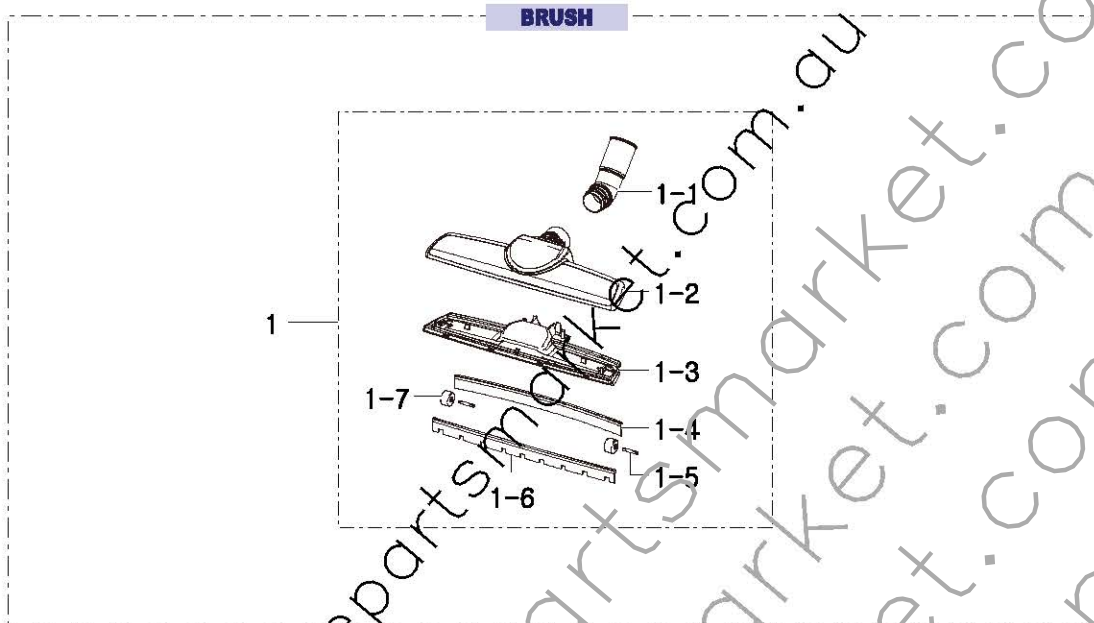
Parts List

No.	Lvl.	Loc.	Material Code	Description & Specification	SNA	Qty.
1	1		DJ97-01868A	ASSY BRUSH; NB300,BLK,EXP,ASSY	SA	1
1-1	2		DJ97-01866A	ASSY PIPE C/BRUSH; NB300,EXP,FRICITION,BLK	SNA	1
1-1-1	3		DJ62-00365A	PIPE-C/BRUSH; NB300,PP,-,BLACK,BJ730	SNA	1
1-1-2	3		DJ61-01989A	NECK-HOLDER; NB300,PP,BLACK	SNA	1
1-2	2		DJ66-00678A	WHEEL BRUSH; NB300,PP,BJ730,BLK	SNA	2
1-3	2		DJ66-00680A	SHAFT WHEEL; NB300,POM,BLACK,K300	SNA	2
1-4	2		DJ63-01240A	COVER BRUSH; NB300,PP,BLK,BJ730	SNA	1
1-5	2	RLH2	DJ66-00679A	LEVER-FOOT; NB300,ABS,HG0760,BLK	SNA	1
1-6	2		DJ97-01867A	ASSY BASE BRUSH; NB300,BLK,ASSY	SNA	1
1-6-1	3		DJ61-01990A	BASE BRUSH; NB300,ABS,-,NEUTRAL GRAY,-,HG	SNA	1
1-6-2	3		DJ67-00588C	BRUSH-NYLON; NB300,PA,BLACK,WAVE	SNA	76
1-7	2		DJ67-00667A	BRUSH NOZZLE-BACK; NB300,URETHANE,T3.6,L1	SNA	1
1-8	2		DJ67-00666A	BRUSH NOZZLE-FRONT; NB300,URETHANE,T3.6,L	SNA	1

No.	Lvl.	Loc.	Material Code	Description & Specification	SNA	Qty.
1-9	2		DJ61-70179A	SPRING ETC COIL; HSWR,PI0.9,ID13,L25,8,BL	SNA	2
1-10	2		DJ61-01991A	BODY BRUSH; NB300,PP,-,BLACK,-,BJ730	SNA	1
1-11	2		DJ63-70117B	SPACER-BRUSH; NB300,WOOL,L88,RED,T3,W7.8,	SNA	2

4. Brush2

Exploded View



Parts List

No.	Lvl.	Loc.	Material Code	Description & Specification	SNA	Qty.
1	1	RP373	DJ97-01164A	ASSY BRUSH; PARQUET MASTER,HB-200,BLK,FRI	SA	1
1-1		RP379	DJ62-00274A	PIPE-C/BRUSH; PARQUET,PP,-,BLACK,BJ750	SA	1
1-2	2	RP377	DJ63-00872A	COVER BRUSH; PARQUET,PP,-,HB,BLACK,BJ750	SNA	1
1-3	2	RP374	DJ61-01493A	BODY BRUSH; PARQUET,PP,-,BLACK,Recycled r	SNA	1
1-4	2	RP376	DJ61-01495A	HOLDER-BRUSH B; PARQUET,STS301,T0.7,-,-	SNA	1
1-5	2	RP294	DJ66-00103B	SHAFT ROLLER-B; SATURN-PJT,POM,L26,ØD3.9,	SA	2
1-6	2	RP375	DJ61-01494A	HOLDER-BRUSH H; PARQUET,STS301,T0.7,-,-	SNA	1
1-7	2	RP101	DJ66-70100A	ASSY ROLLER; VC550P,NEUTRAL GR	SA	2