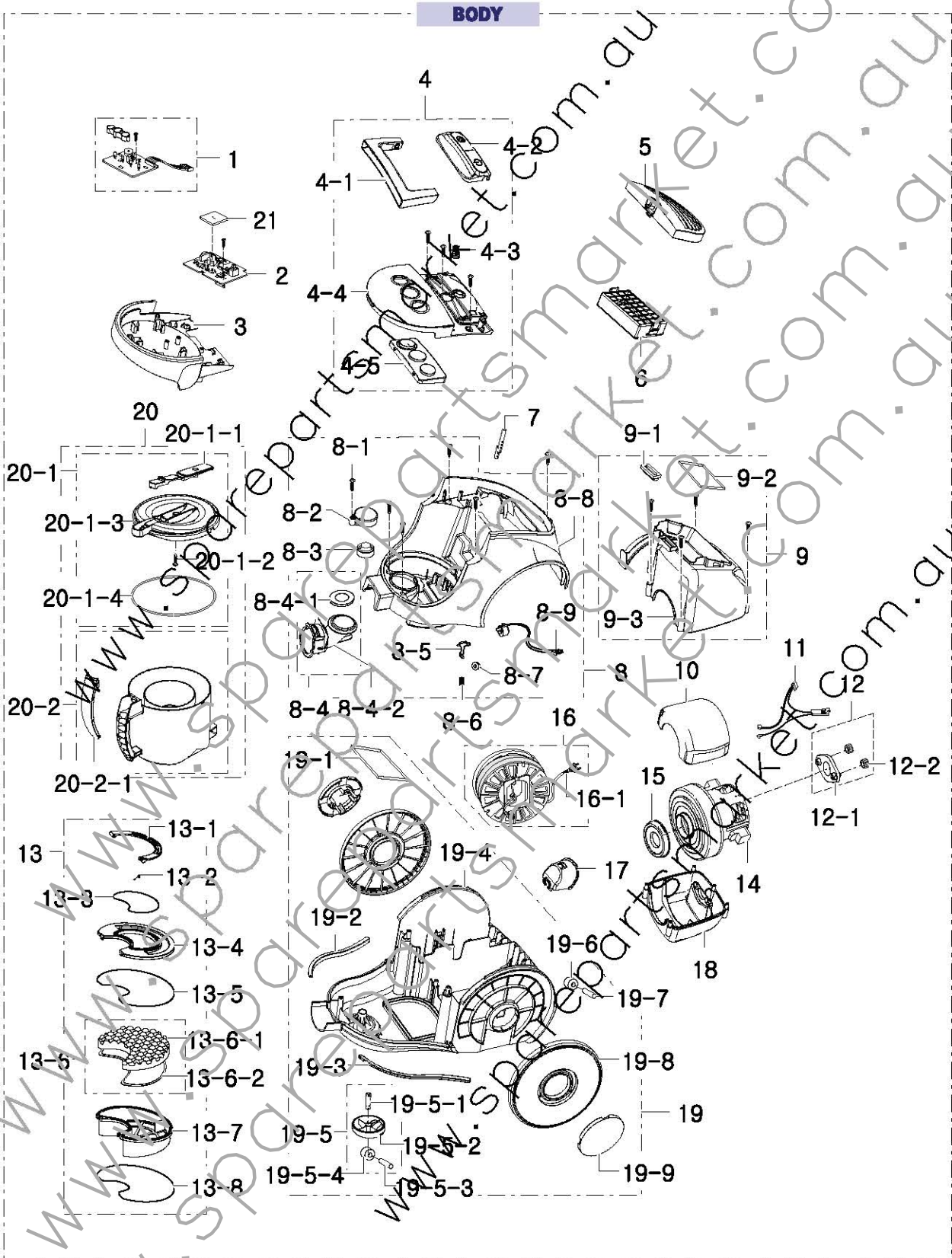


# 1. BODY

## Exploded View



## Parts List

No.	Lvl.	Loc.	Material Code	Description & Specification	SNA	Qty.
1	1	RJ091	DJ41-00195A	PBA DISPLAY; VC-BT950_NEO P-PJT,98.5X65.5	SA	1
2	1	RJ094	DJ41-00494A	PBA MAIN; VC-BT950_NEO P-PJT,149X85,N,NEO	SA	1
3	1	RB105	DJ63-00461A	COVER DUST; SC8450,ABS,PLATINUM METAL BLU	SA	1
4	1	RB042	DJ97-00333A	ASSY PANEL CONTROL; SC8450,CIS SIL,EXP	SA	1
4-1	2	RB038	DJ97-00350A	ASSY HANDLE; SC8450,CIS SIL,-	SA	1
4-2	2	RB070	DJ64-00429A	BUTTON SWITCH; SC8450,ABS,NTR, CIS SIL,2C	SA	1
4-3	2		DJ61-00009A	SPRING ETC-BUTTON; VC-7414V,HSWR,PH.2,L2	SNA	1
4-4	2	RB188	DJ64-00426A	PANEL CONTROL; SC8450,ABS,NTR, CIS SIL,2C	SNA	1
4-5	2	RB210	DJ64-00428A	WINDOW DISPLAY; SC8450,ABS,TRP	SA	1
5	1	RB149	DJ64-00481D	GRILLE BACK; SC8450,ABS,CIS SIL,EXPORT, F	SC	1
6	1	RA023	DJ97-00339H	ASSY FILTER OUTLET; SC8450,HEPA H13,DEEP	SA	1
7	1	RB158	DJ61-00827A	GUIDE LEVER; VCC8450,PP,NTR,V0	SA	1
8	1	RB009	DJ97-00334A	ASSY BODY MID; SC8400,PLATINUM METAL BLU	SA	1
8-1	2		6003-000170	SCREW-TAFTYRE; PH,+,-,B,M4,L12,ZPC(WHT),S	SNA	6
8-2	2	RB103	DJ63-00464A	COVER DAMPER; SC8450,PP,BLK	SNA	1
8-3	2	RB032	DJ97-00405A	ASSY DAMPER; SC8450,HSWR,DEEP GRY,L63	SA	1
8-4	2	RB033	DJ97-00336A	ASSY DUCT INLET; SC8400,DEEP GRY,-	SA	1
8-4-1	3	RA081	DJ62-00169A	SEAL DUCT; SC8450,PVC,SUB GRY	SNA	1
8-4-2	3	RB139	DJ67-00397A	DUCT-INLET; SC8450,ABS,DEEP GRY	SNA	1
8-5	2	RJ075	DJ65-00303A	LEVER BRAKE; VCC8450,PPM,NTR	SA	1
8-6	2	RA094	DJ61-70001A	SPRING ETC-C/DUST; VC-5500,HSWR,PI0.7,N06	SA	1
8-7	2	RJ098	DJ75-40101A	STOPPER-BRAKE; VC-9000,CR,BLK	SA	1
8-8	2	RB059	DJ61-00826A	BODY MID; SC8450,ABS,PLATINUM METAL BLU	SNA	1
8-9	2	RJ101	DJ96-00106B	ASSY SWITCH-PRESSURE; NEO,2650mmH2O,WHT L	SA	1
9	3	RJ007	DJ97-00337A	ASSY CASE MOTOR UP; SC8450,PP NTR,-,-,-	SA	1
9-1	4		DJ69-00129A	GASKET-H/SINK; PVC,SUB GRY,SC9200/3.9g	SNA	1
9-2	4		DJ69-00258A	GASKET; CR FOAM,BLK,VCC8450/26.9g	SNA	1
9-3	4	RJ024	DJ61-00823A	CASE MOTOR-UP; VCC8450,PP,-,BLACK,HB,SSPP	SNA	1
10	3	RJ023	DJ61-00824A	CASE MOTOR-MID; VCC8450,PP,-,BLACK,HB,SSP	SNA	1

No.	Lvl.	Loc.	Material Code	Description & Specification	SNA	Qty.
11	2	RJ063	DJ39-20260Z	HARNESS MOTOR; SC8450,BLU/BLK,#18,YH396-0	SA	1
12	2	RJ018	DJ61-00012B	ASSY SUPPORT MOTOR; VC-7400,NTR,NR	SA	1
12-1	3	RJ100	DJ61-00006A	SUPPORT-MOTOR; VC-7414V,PP,NTR	SNA	1
12-2	3	RP221	DJ73-10120A	CUSHION-RING; NR,BLK,VC-6200	SA	2
13	1	RA018	DJ97-01363A	ASSY FILTER DUST; SC8450,-,DEEP GRY,SINGL	SA	1
13-1	2		DJ64-00894A	HANDLE-COVER SPONGE; SC8450,ABS,APPLE MET	SNA	1
13-2	2		DJ61-01479A	SPRING ETC-HANDLE; CONCERTO-PJT,SUS,CD0.5	SNA	1
13-3	2	RB148	DJ63-00509B	GASKET BASE; VCC8450,EVA FOAM,T28,L140,B	SA	1
13-4	2	RL180	DJ63-00996A	COVER SPONGE; SC8450,ABS,DEEP GRAY	SA	1
13-5	2	RL174	DJ63-00632A	GASKET-FILTER; VC-MBN815,PVC,BLK	SNA	2
13-6	2	RA019	DJ97-00849A	ASSY FILTER DUST-SUB; SC8400,MICRO,SKY BL	SA	1
13-6-1	3	RA087	DJ72-00320C	SPONGE-CYCLONE; VC-BT950,PU-FOAM,T20,SKY	SA	1
13-6-2	3	RA056	DJ63-00465A	FILTER-CYCLONE; VCC8450,MICRO,WHT,MICRO-1	SNA	1
13-7	2	RA044	DJ61-00819A	CASE-SPONGE; SC8450,PP,BLK	SNA	1
13-8	2	RL174	DJ63-00632A	GASKET-FILTER; VC-MBN815,PVC,BLK	SNA	2
14	2	RJ079	DJ31-00067P	MOTOR FAN-AC; VCM-K70GUAA,8.4A,50/60HZ,18	SA	1
15	2	RJ038	DJ63-00697A	CUSHION-MOTOR F; SC9150,TPV,NTR,45c	SA	1
16	1	RJ008	DJ97-00367C	ASSY CORD REEL; SC8400,CP2 4.8,L7100,1.0	SA	1
16-1	2	RP183	DJ39-10106C	CBF-POWER CORD; AT,1.0mm <sup>2</sup> /75T,250V,16A,L7	SA	1
17	1	RB154	DJ63-00462A	GUARD CORD; VCC8450,POM,BLK	SA	1
18	2	RJ022	DJ61-00325A	CASE MOTOR-LOW; VCC8450,PP,-,BLACK,HB,SSP	SNA	1
19	1	RB002	DJ97-00335A	ASSY BODY BASE; SC8400,BLK,-,PLATINUM MET	SA	1
19-1	2	RB148	DJ63-00509A	GASKET-BASE; VCC8450,EVA FOAM,T45,L177,B	SNA	1
19-2	2	RB050	DJ72-00319A	BAND BODY-R; SC8450,PVC,BLK	SA	1
19-3	2	RB049	DJ72-00318A	BAND BODY-L; SC8450,PVC,BLK	SA	1
19-4	2	RB051	DJ61-00822A	BODY BASE; SC8450,PP,BLK	SNA	1
19-5	2	RP112	DJ66-00151C	ASSY ROLLER FRONT; FRONT,SC7800,BLACK + N	SA	1
19-5-1	3	RP327	DJ66-00228A	SHAFT ROLLER; SC7800,ABS,BLACK,SD-0170	SA	1
19-5-2	3	RB168	DJ61-00320A	HOLDER-BACK; VC-8716V_BC-PJT,PA,-,BLACK,-	SNA	1

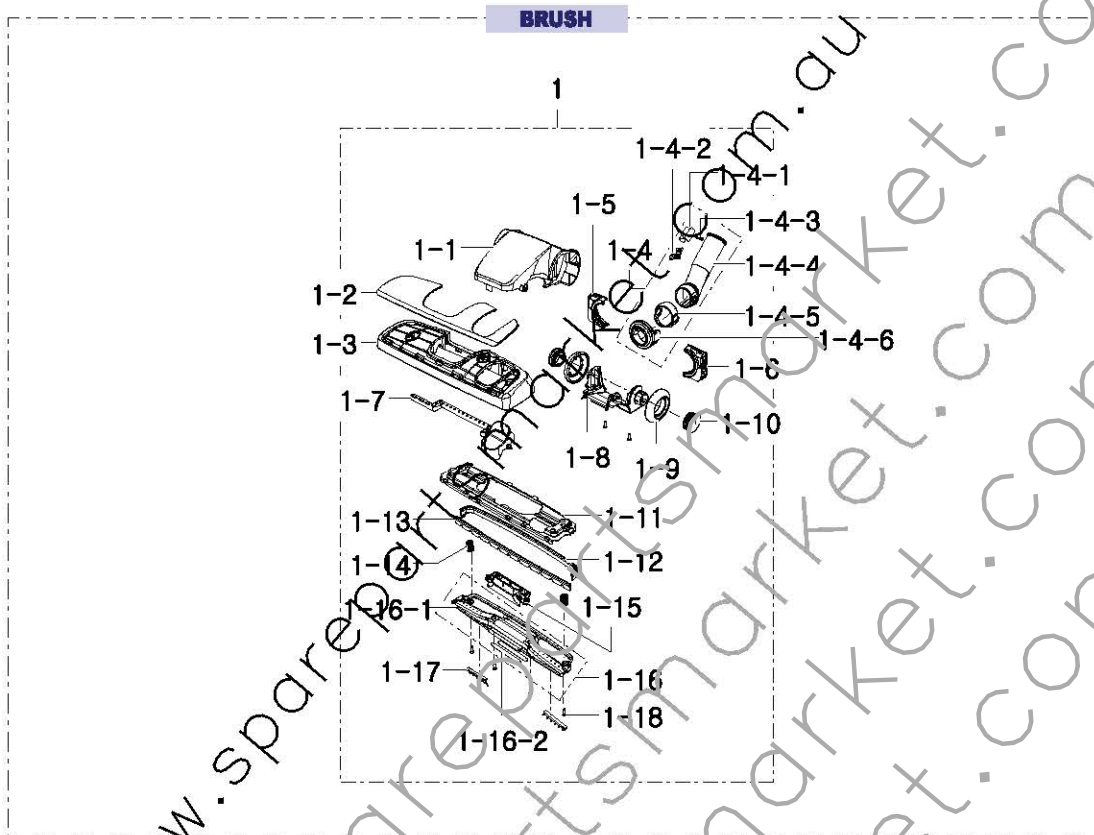
## Exploded Views and Parts List

No.	Lvl.	Loc.	Material Code	Description & Specification	SNA	Qty.
19-5-3	3	RP294	DJ70-30110A	SHAFT ROLLER-B; VC-DOM,MSWR,L26,OD3.9,ZPC	SA	1
19-5-4	3	RP101	DJ66-70100A	ASSY ROLLER; VC550P,NEUTRAL GRY	SA	1
19-6	2	RP288	DJ66-00048F	ROLLER-BACK; VC-P910,PP,BLK	SA	1
19-7	2	RP294	DJ70-30110A	SHAFT ROLLER-B; VC-DOM,MSWR,L26,OD3.9,ZPC	SA	1
19-8	2	RB044	DJ97-00352A	ASSY WHEEL BACK; BACK,SC8450,LIGHT GRY/DE	SA	2
19-9	2	RB091	DJ67-00396A	CAP WHEEL; SC8450,ABS,PLATINUM METAL BLU	SA	2
20	1	RP045	DJ97-00347A	ASSY CYCLONE CASE; SC8450,PLATINUM METAL	SA	1
20-1	2	RL007	DJ97-00345A	ASSY COVER CYCLONE; SC8450,DEEP GRY,-,-,-	SA	1
20-1-1	3	RL035	DJ64-00425A	BUTTON-CYCLONE; VCC8450,POM,DEEP GRY	SNA	1
20-1-2	3	RV005	6003-000170	SCREW-TAPTYPE; PH,+,-,B,M4,L12,ZPC(WHT),S	SNA	1
20-1-3	3	RL067	DJ63-00460A	COVER-CYCLONE; SC8450,PP+TALC30%,BLK	SNA	1
20-1-4	3	RL078	DJ63-00510A	GASKET-CYCLONE; VCC8450,EVA FOAM,T3.0,W4.	SNA	1
20-2	2	RL005	DJ97-00343A	ASSY CASE; SC8450,PLATINUM METAL BLU,No,-	SA	1
20-2-1	3	RL045	DJ67-00394A	CAP-HANDLE CYCLONE; VCC8450,ABS,PLATINUM	SA	1
21	2		DJ63-00508A	FILTER-SAFETY; SC8450,PE FOAM,T5,W50,L70.	SNA	1



## 2. BRUSH

### Exploded View



### Parts List

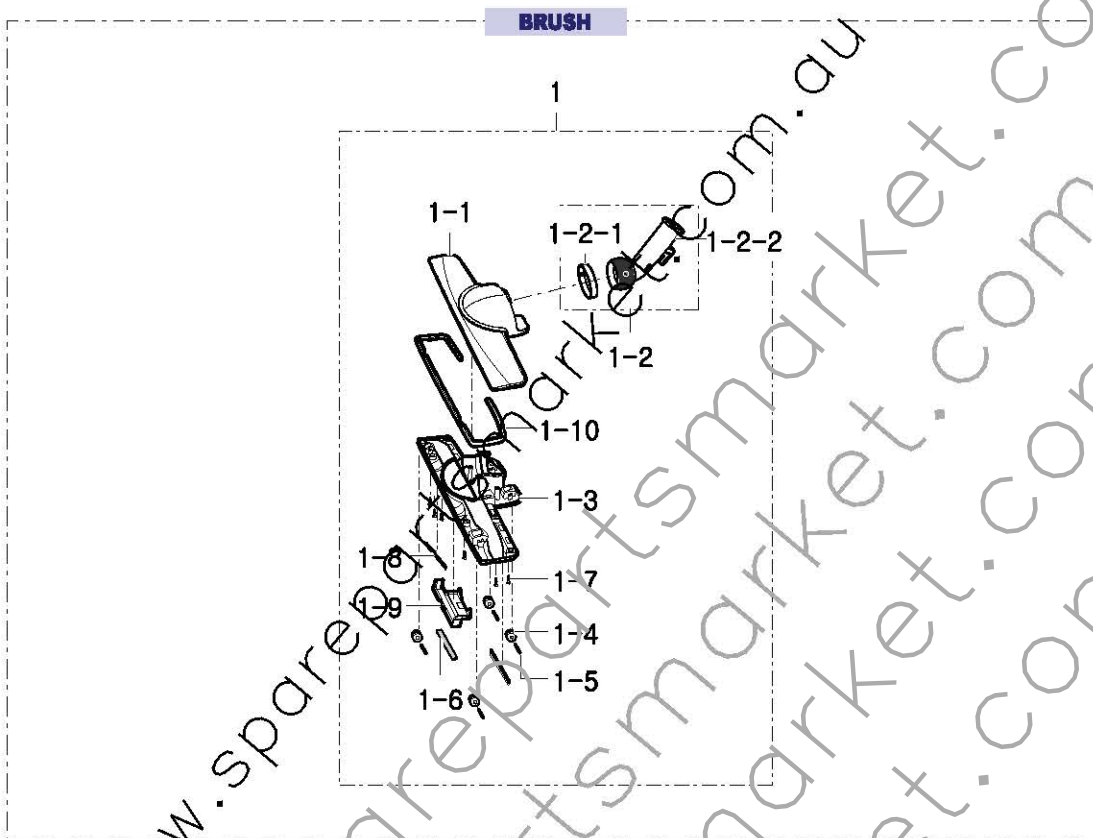
No.	Lvl.	Loc.	Material Code	Description & Specification	SNA	Qty.
1	1	RP020	DJ97-00402A	ASSY BRUSH; -,2STEP,NB-600,DEEP GRY,BUCKL	SA	1
1-1	2	RL070	DJ63-00496A	COVER-HOLDER; NEO-PJT,PP,BLK	SA	1
1-2	2		DJ67-00413A	CAP-COVER BRUSH; NEO-PJT,ABS,EBONY BLK	SNA	1
1-3	2		DJ63-00446A	COVER BRUSH; VC-NEO-PJT,PP,BLK	SNA	1
1-4	2	RP089	DJ97-00426A	ASSY PIPE C/BRUSH; -, -,PP,EXP,BUCKLE,-,BL	SA	1
1-4-1	3	RP176	DJ67-00263A	CAP-KNOB; VCC9200,PC,-,V2,3022R,BLACK	SA	1
1-4-2	3	RA069	DJ64-00217A	KNOB PIPE; VCC9200,ABS,HB,EBONY BLACK	SA	1
1-4-3	3		DJ61-00584A	SPRING ETC-CAP; VC-MBM940,HSWR,CD0.7,OD7.	SNA	1
1-4-4	3		DJ62-00176A	PIPE-C/BRUSH; NEO-PJT,PP,BLK,BUCKLE TYPE	SNA	1
1-4-5	3		DJ61-00889A	NECK BRUSH; NEO-PJT,ABS,DEEP GRY	SNA	1
1-4-6	3		DJ61-00888A	HOLDER-CONNECTOR; NEO-PJT,ABS,DEEP GRY	SNA	1

## Exploded Views and Parts List

No.	Lvl.	Loc.	Material Code	Description & Specification	SNA	Qty.
1-5	2		DJ61-00890A	HOLDER-CONNECTOR L; NEO-PJT,ABS,DEEP GRY	SNA	1
1-6	2		DJ61-00891A	HOLDER-CONNECTOR R; NEO-PJT,ABS,DEEP GRY	SNA	1
1-7	2	RL112	DJ66-00317A	LEVER-FOOT; NEO-PJT,ABS,DEEP GRY	SA	1
1-8	2		DJ61-00892A	GUIDE-HOLDER AIR; NEO-PJT,PP,BLK	SNA	1
1-9	2		DJ97-00403A	ASSY WHEEL BRUSH; BRUSH,NEO-PJT,DEEP GRY,	SNA	2
1-10	2		DJ61-00887A	FIXER-WHEEL BRUSH, NEO-PJT,POM,DEEP GRY	SNA	2
1-11	2		DJ61-00895A	BASE BRUSH; NEO-PJT,SECC	SNA	1
1-12	2		DJ61-00899A	HOLDER-BRUSH B, NEO-PJT,PA, BLK,SECC1-T0.6	SNA	1
1-13	2		DJ61-00898A	HOLDER-BRUSH; NEO-PJT,PA, BLK,SECC1-T0.6	SNA	1
1-14	2		DJ61-70179A	SPRING ETC-BRUSH; HSWR,PI0.9,ID13,L25,8,B	SNA	2
1-15	2	RP241	DJ61-00886A	GUIDE AIR; NEO-PJT,PP,BLK	SA	1
1-16	2		DJ97-00404A	ASSY BODY BRUSH; NB-600,-,-,-,STEEL	SNA	1
1-16-1	3		DJ61-00893A	BODY BRUSH; NEO-PJT,STEEL,CR COATING	SNA	1
1-16-2	3		DJ60-00012A	SPACER-BRUSH; NEO-PJT,WOOL L80,RED,T2.3,W	SNA	2
1-17	2		DJ67-00414A	BRUSH NOZZLE; NEO-PJT,LDPM,DEEP GRY	SNA	2
1-18	2	RV005	6003-000170	SCREW-TAPTYPE; PH,+,-,B,M4;L12,ZPC(WHT),S	SNA	6

### 3. BRUSH2

#### Exploded View



#### Parts List

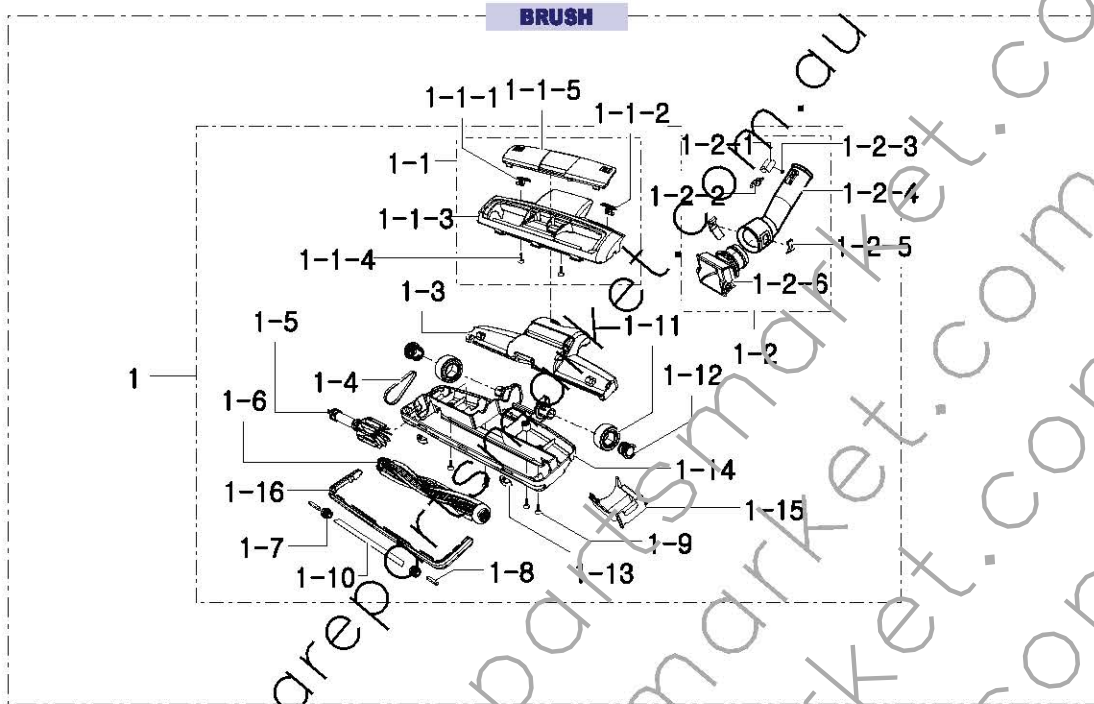
No.	Lvl.	Loc.	Material Code	Description & Specification	SNA	Qty.
1	1	RP012	DJ67-00216E	ASSY BRUSH; VC-8700,UNIVERSAL,MB-200,PLAT	SA	1
1-1	2	RP191	DJ63-00380A	COVER BRUSH; SC7800,ABS,NTR/PLT SIL COAT,	SA	1
1-2	2	RP083	DJ97-00064A	ASSY PIPE C/BRUSH; VC-8700,-,ABS,EXP,FRIC	SA	1
1-2-1	3	RP255	DJ61-00138A	HOLDER-CONNECTOR; VC-8600,POM,NTR,SLIM MA	SA	1
1-2-2	3		DJ62-00043A	PIPE-C/BRUSH; VC-8700,ABS,DEEP GRY,WIDE B	SNA	1
1-3	2	RP143	DJ61-00223B	BODY BRUSH; VC-8600,ABS,DEEP GRY,CORDLESS	SA	1
1-4	2	RP108	DJ97-00836A	ASSY ROLLER BRUSH; 2WAY,GRY,OD19	SA	4
1-5	2	RP294	DJ66-00103B	SHAFT ROLLER-B; SATURN-PJT,POM,L26,OD3.9,	SA	4
1-6	2		DJ63-70117B	SPACER-BRUSH; NB300,WOOL,L88,RED,T3,W7.8	SA	1
1-7	2	RV005	6003-000170	SCREW-TAATYPE; PH,+,-,B,M4,L12,ZPC(WHT),S	SNA	6

No.	Lvl.	Loc.	Material Code	Description & Specification	SNA	Qty.
1-8	2		DJ67-00595A	BRUSH NOZZLE; SC4300,URETHANE,T3.4,W9,L94	SNA	2
1-9	2		DJ61-00187B	HOLDER-SPACER; VC-8700,PP,BLK,WIDE BRUSH/	SNA	1
1-10	2		DJ72-00284B	BAND BRUSH; VC-8700,PE,DEEP GRN	SNA	1



## 4. BRUSH3

### Exploded View



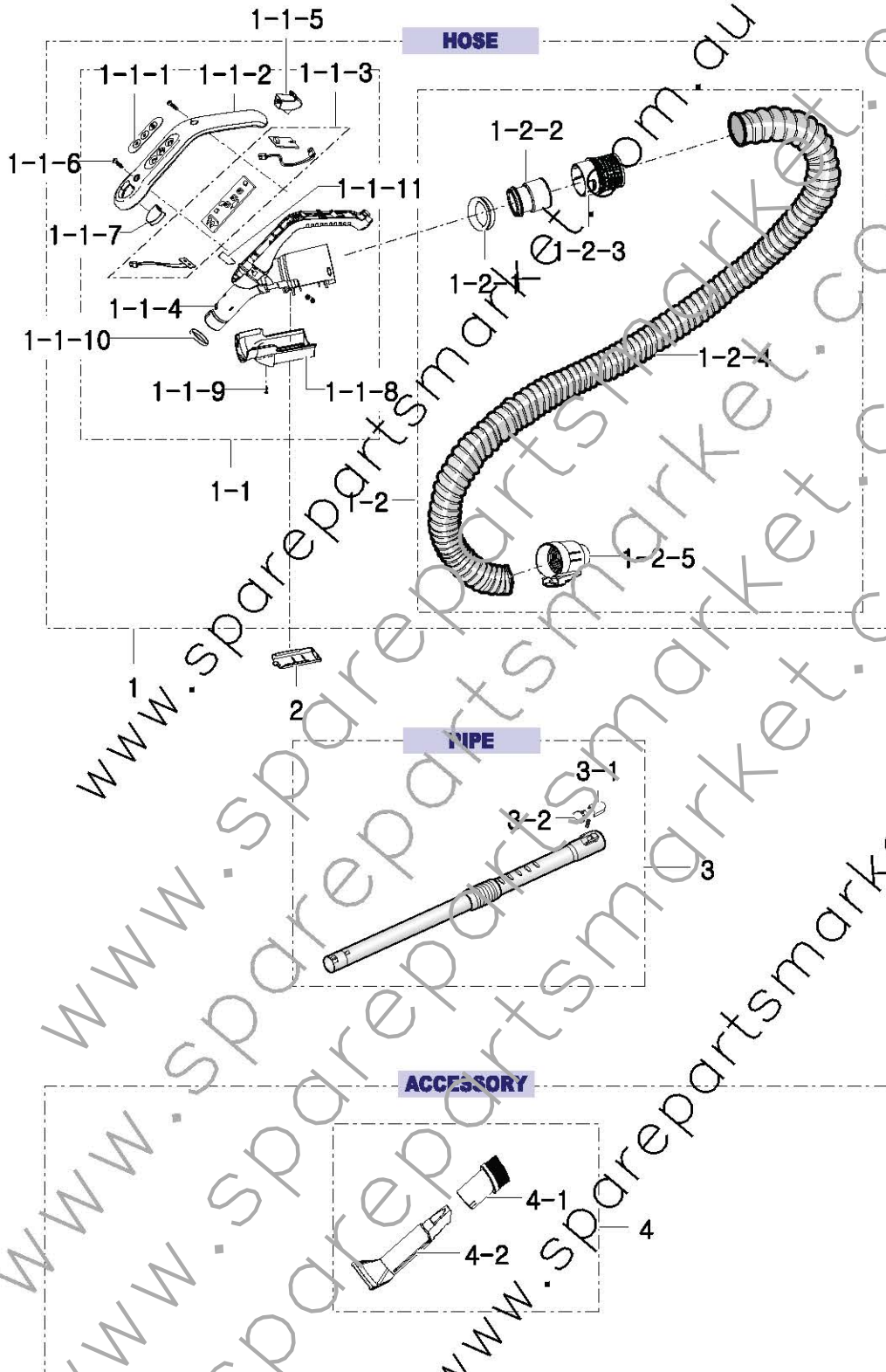
### Parts List

No.	Loc.	Loc.	Material Code	Description & Specification	SNA	Qty.
1		RP031	DJ97-00322E	ASSY BRUSH TURBINE; -,TURBINE,TB-500,DEEP	SA	1
1-1	2	RP040	DJ97-00261G	ASSY COVER BRUSH; SC7270,POWER TURBO,DEEP	SA	1
1-1-1	3		DJ64-00405E	BUTTON-SAFETY R; VC-MB6950,ABS,DEEP GRY	SNA	1
1-1-2	3		DJ64-00404E	BUTTON-SAFETY L; VC-PBM940,ABS,DEEP GRY	SNA	1
1-1-3	3		DJ63-00445F	COVER BRUSH-F SC7270,ABS,-,HB,EBONY BLAC	SNA	1
1-1-4	3	RV005	6003-000168	SCREW-TAPTURE; PH,+,-,B,M3,L8,ZPC(WHT),SW	SNA	6
1-1-5	3		DJ64-00411B	WINDOW-COVER; SC8150,ABS,BROWN GRY TRP,EX	SNA	1
1-2	2	RP095	DJ97-00319C	ASSY PIPE C/BRUSH; -,PP,EXP,BUCKLE,-,BL	SA	1
1-2-1	3	RP176	DJ67-00263A	CAP-KNOB; VCC9200,PC,-,V2,3022R,BLACK	SA	1
1-2-2	3	RA069	DJ64-00217A	KNOB-PIPE; VCC9200,ABS,HB,EBONY BLACK	SA	1
1-2-3	3		DJ61-00584A	SPRING ETC-CAP; VC-MBM940,HSWR,CD0.7,OD7.	SNA	1

No.	Lvl.	Loc.	Material Code	Description & Specification	SNA	Qty.
1-2-4	3		DJ62-00177A	PIPE-C/BRUSH; IVY-PJT,PP,BLK,BUCKLE TYPE	SNA	1
1-2-5	3	RL084	DJ61-20118P	GUIDE-KEY; VC-8900,ABS,DEEP GRY,TURBIN BR	SA	2
1-2-6	3	RP262	DJ61-00791B	NECK BRUSH; VC-PBM940,ABS,DEEP GRY	SA	1
1-3	2	RP206	DJ63-00542A	COVER BRUSH; NEO-PJT,PP,BLK,EXPORT	SA	1
1-4	2	RP325	6602-001397	BELT-TIMING GEAR; HTD2M-122-4,NBR,T1.38,L	SA	1
1-5	2	RP062	DJ96-00028B	ASSY FAN TURBINE; P/PET-BRUSH,NTR,ASSY,CI	SA	1
1-6	2	RP055	DJ97-00260C	ASSY DRUM BRUSH; VC-BT950,L269.8,YEL/BLU,	SA	1
1-7	2	RP107	DJ66-70163A	ASSY ROLLER BRUSH; BRUSH,VC6200,SUB GRY,O	SA	2
1-8	2	RP291	DJ66-50143A	SHAFT ROLLER; VC-BRUSH,PA66,L20.4,OD4,NTR	SA	2
1-9	2	RV005	6003-000170	SCREW-TAPTYPE; PH,+,-,B,M4,L12,ZPC(WHT),S	SNA	6
1-10	2		DJ60-00006B	SPACER-BRUSH B; VC-PBM940 WOOL,RED,T2	SA	2
1-11	2		DJ66-00129A	ASSY WHEEL BRUSH; BRUSH,VC8900,DEEP GRY,O	SNA	2
1-12	2		DJ61-00214A	FIXER-W/BRUSH; VC-8900,ABS,-EBONY BLACK,	SNA	2
1-13	2		DJ61-00787A	HOLDER-SPACER; VC-MBS950,ABS,LIGHT GRY,NY	SNA	2
1-14	2		DJ61-00788B	BODY BRUSH; VC-PBM940,ABS,DEEP GRY	SNA	1
1-15	2		DJ61-00790B	GUIDE AIR; VC-PBM940,ABS,DEEP GRY	SNA	1
1-16	2		DJ77-00343B	BAND BRUSH; VC-PBM940,PE,DEEP GRY	SNA	1

## 5. ACCESSORY

### Exploded View



## Parts List

No.	Lvl.	Loc.	Material Code	Description & Specification	SNA	Qty.
1	1	RL018	DJ97-00889J	ASSY HOSE; SC8470,DEEP GRY,L1700,OPEN TYP	SA	1
1-1	2	RL016	DJ97-00888J	ASSY HANDLE HOSE; SC8400,EBONY BLACK,IR-T	SA	1
1-1-1	3	RL102	DJ64-00407D	INLAY-BUTTON; SC8150,PC,T0.25,W21.5,L61.5	SA	1
1-1-2	3	RL069	DJ63-00208C	COVER-H/GRIP; SC9261,ABS,HACO,DEEP GRY	SA	1
1-1-3	3	RJ092	DJ41-00525B	PBA HANDLE; HOSE_VC-BZ815_SATURNP-PJT,IR	SA	1
1-1-4	3	RL029	DJ61-01220B	BODY H/GRIP; LOIRE HOSE,ABS,-,EBONY BLACK	SA	1
1-1-5	3		DJ67-00245A	CAP-REMOTE B; SC9200,PC,VIOLET RED	SNA	1
1-1-6	3	RV005	6002-000553	SCREW-TAPPING; PH,+;2S M4,L12,ZPC(BLK),SW	SNA	2
1-1-7	3		DJ67-00244A	CAP-REMOTE F; SC9200,PC,VIOLET RED	SNA	1
1-1-8	3		DJ61-00746B	CASE-BATTERY; ABS,DEEP GRY,LOIRE HANDLE	SNA	1
1-1-9	3	RV005	6003-000159	SCREW-TAP TYPE; PH,+;B; M3,L10,ZPC(BLK),SWR	SNA	1
1-1-10	3		DJ62-00279A	SEAL-PIPE; SC6500,NBR,BLK,T4.4,ID31,OD33.	SNA	1
1-1-11	3		DJ67-00351B	CAP-BODY HANDLE; VC-EXPORT,ABS,DEEP GRY	SNA	1
1-2	2	RL020	DJ97-00365K	ASSY HOSE SUB; SC8470,BLK,L1700,OPEN TYPE	SA	1
1-2-1	3		DJ62-00054A	SEAL-HOLDER; VC HOSE,NBR,BLK	SNA	1
1-2-2	3	RL097	DJ61-01501A	HOLDER-HOSE; SC6650,ABS,-,EBONY BLACK,HB,	SNA	1
1-2-3	3	RA108	DJ61-01537A	CASE-HOSE; VC-HOSE,PP,BLK	SNA	1
1-2-4	3	RL132	DJ67-00089E	HOSE WIRELESS; VC-EXPORT,EVA,ID32.5,OD40	SA	1
1-2-5	3	RL097	DJ61-00832A	HOLDER-HOSE; VCC8450,ABS,EBONY BLACK,HG-0	SNA	1
2	2	RP215	DJ63-00209A	COVER-BATTERY; SC9200,ABS,EBONY BLACK,HG-	SA	1
3	1	RP075	DJ97-00851A	ASSY PIPE; LOIRE,TELESCOPIC,STEEL,EXP,BUC	SA	1
3-1	2	RP335	DJ67-00498A	CAP-KNOB; CLOVER-PJT,PC,-,-,3022R,BLACK	SA	1
3-2	2	KA069	DJ64-00611A	KNOB-PIPE; CLOVER-PJT,ABS,HB,EBONY BLACK	SA	1
4	2	RP001	DJ67-00324A	ASSY ACCESSORY; SC7800,BRUSH,BLK,3 IN 1	SA	1
4-1	3	RA002	DJ67-00325A	ASSY ACCESSORY DUSTING; SC7800,DUSTING,BL	SA	1
4-2	3	RA001	DJ62-00129A	ASSY ACCESSORY CREVICE; SC7800,CREVICE,BL	SA	1